

R82[®] 



gazelle ps[™]



Mobile standing frame for active children
mobility



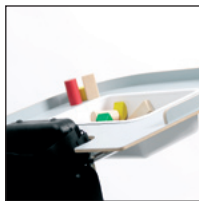
Gazelle PS stands for Prone and Supine. It means that Gazelle PS can be used by both front- and back lying children. The product provides support to the knees and feet and strengthens the hips. The Gazelle ensures that the child can stand and affords the user greater potential for play and creative development.

Gazelle PS can be tilted from vertical to horizontal and can easily be folded for storage or transportation.

Gazelle PS is available in three sizes.

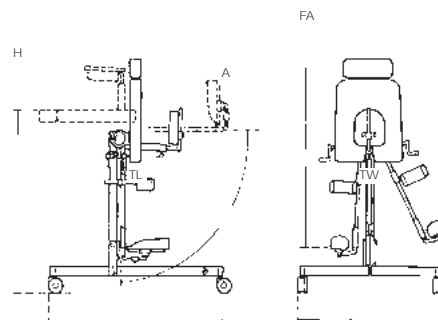


Head, trunk and sidesupports



Tray

Size 1 Size 2 Size 3



gazelle ps™ by R82®

Measurements

	Size 1 cm (inch)	Size 2 cm (inch)	Size 3 cm (inch)
Length, foot-axil (FA)	45-95 (18-37")	60-105 (24-41")	70-125 (28-49")
Width, total (TW)	48 (19")	58 (23")	65 (26")
Height, when horizontal (H)	76 (30")	80 (31½")	90 (35")
Height of buttock	37 (14½")	46 (18")	56 (22")
Length, total (TL)	76 (30")	88 (35")	99 (39")
Angle, board (A)	90° to -15°	90° to -15°	90° to -15°
Height, folded	28½ (11")	29½ (12")	29½ (12")
Length, folded	95 (37")	113 (44½")	130 (51")
Weight	20 kg (44 lb)	22 kg (48 lb)	24 kg (53 lb)
Max. load/user weight	40 kg (88 lb)	60 kg (132 lb)	80 kg (176 lb)

R82 A/S

Parallevej 3
8751 Gedved
Denmark
Tel +45 79 68 58 88
Fax +45 75 66 51 92
E-mail: r82@r82.com
Web: www.r82.com

R82 UK Ltd.

Unit D4A
Coombswood Business Park East
Coombswood Way, Halesowen
West Midlands B62 8BH
Great Britain
Tel 0121 561 2222
Fax 0121 559 5437
E-mail: info@r82.com
Web: www.r82.com