

Gladiator Canopy installation instruction



Content

1. Tools Kit.....	1
2. Install the rear canopy bottom frame	1
3. Install front canopy frame	4
4. Install canopy rear connection frame	5
5. Install front canopy frame	6
6. Install the plastic nut cap	8
7. Safety inspect before driving.	9

1. Tools Kit

We have prepared the necessary tools in the toolkit.



Wrench
10-14mm



Wrench
10-13mm



Allen key
S=4mm

2. Install the rear canopy bottom frame

A. Remove the lock pin & remove the rear locking cargo case.



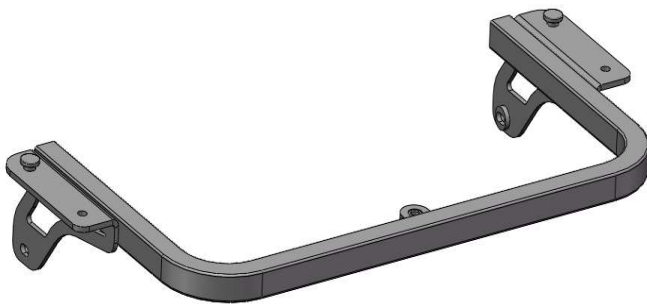
B. Remove the left battery

C. Unscrew the screws on the rear body cover left side, right side and middle as Picture 1 shown below.



Picture 1

D. Unscrew the fasteners on the rear canopy bottom frame (Picture 2).

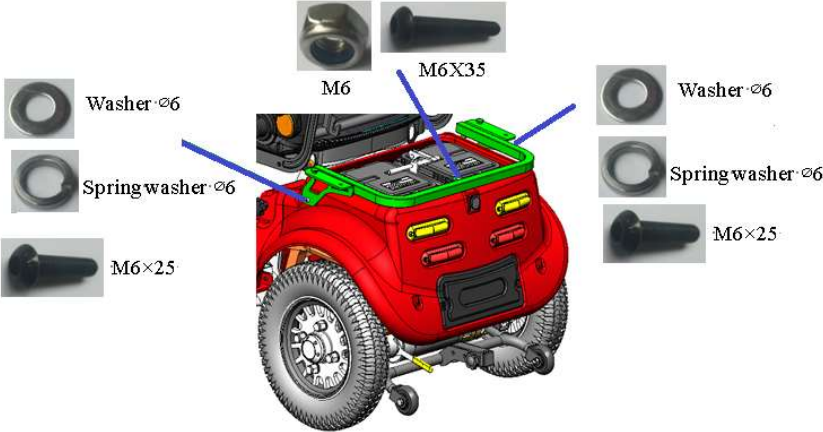


Picture 2

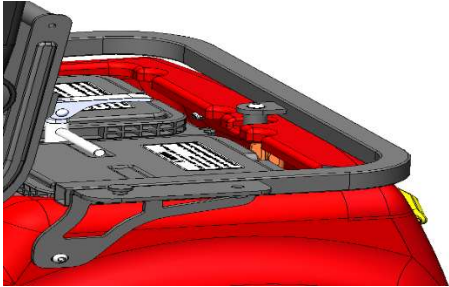
Note: Make sure not to mix them up so you can screw them back on.

E. Put the rear canopy bottom frame on the top of rear body cover (shown in Picture 3)

F. Fasten the frame with the screws & washer \varnothing 6, spring washer \varnothing 6, screws M6X25 and M6X35 as shown in Picture 3.



Picture 3

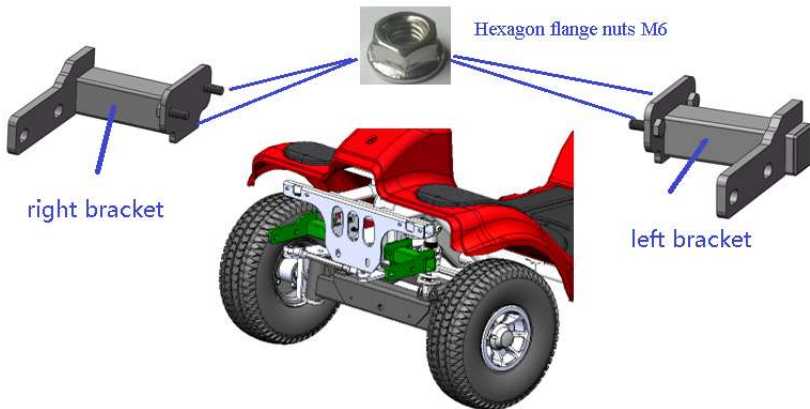


3. Install front canopy frame

Warning & Note:

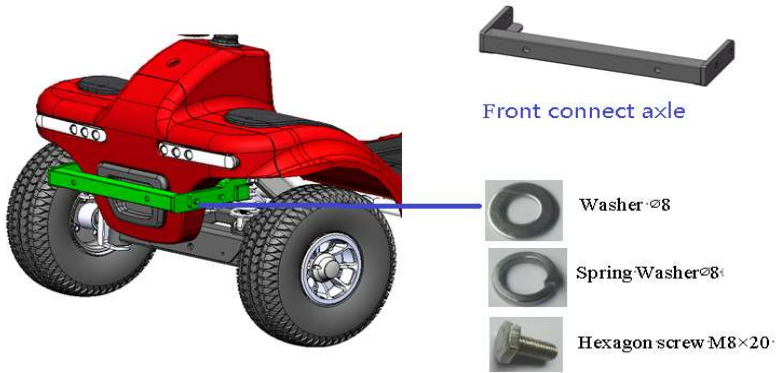
To attach the front frame easier, we recommend lifting the front section up to 5 inches to improve visibility of the correct position. Ensure that the product is stable and secure, preventing it from tipping over.

- A. Install the front right bracket and front left bracket with hexagon flange nut M6 as Picture 4.



Picture 4

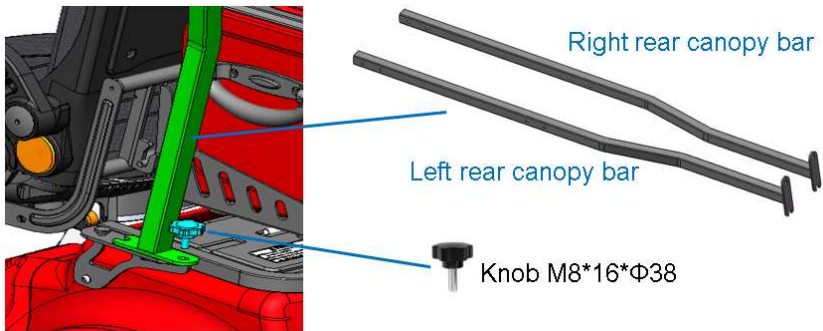
- B. Install the front connect axle with hexagon screw M8X20, washer $\varnothing 6$, spring washer $\varnothing 6$ as shown in Picture 5.



Picture 5

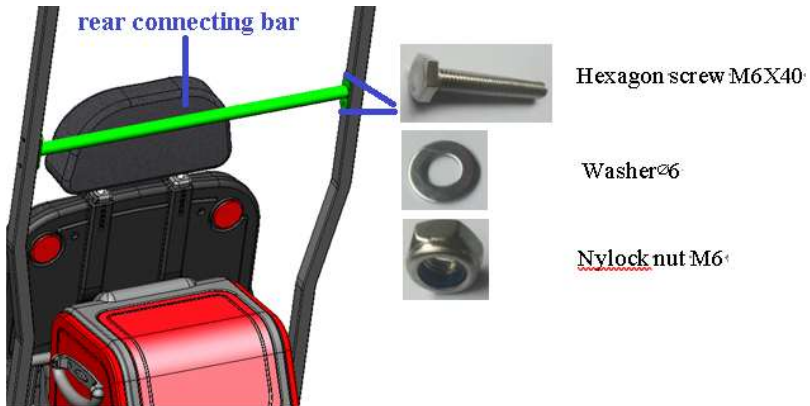
4. Install canopy rear connection frame

- A. Assemble the left canopy bar on the rear canopy frame left side and lock it with knob M8*16* 38 as Picture 6.



Picture 6

- B. Assemble the right canopy bar same as above
- C. Assemble the rear connecting bar with hexagon screw M6X40, washer ∅6 and Nylock nut M6 as Picture 7.

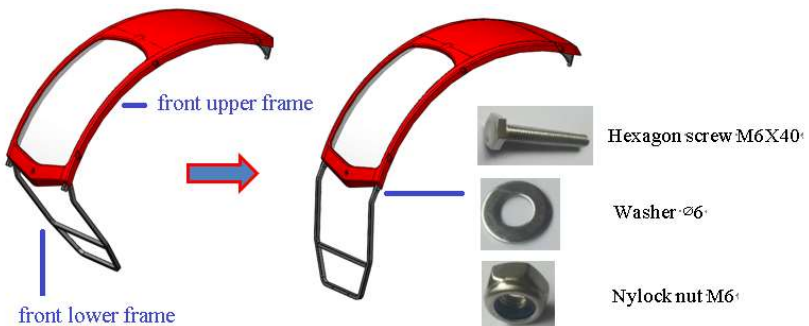


Picture 7

5. Install front canopy frame

Note: In this step, it needs two people to assemble the canopy.

- A. Open the front lower frame and front upper frame and fasten them with hexagon screw M6X40, washer $\varnothing 6$ and Nylock nut M6 as Picture 8.



Picture 8

B. Put the canopy as Picture 9



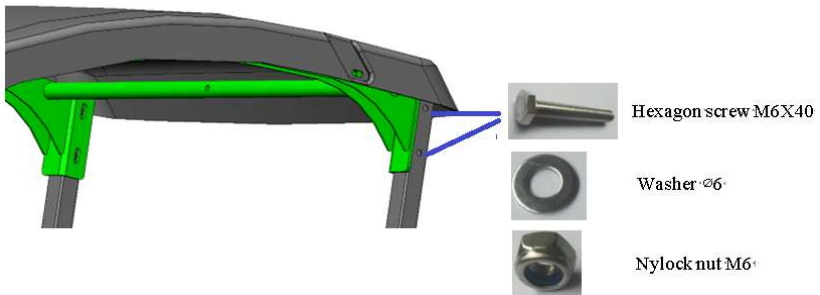
Picture 9

C. Fasten the front bottom frame to front connect axle with hexagon screw M8x65, washer \varnothing 8 and Nylock nut M8 as Picture 10.



Picture 10

- D. Fasten front upper frame left side with hexagon screw M6X40, washer $\varnothing 6$ and Nylock nut M6 as Picture 11. Do the same way in right side.



Picture 11

6. Install the plastic nut cap

- A. Check if all fasteners on the canopy are fastened
- B. Cover the hexagon screw and nuts on front bottom frame with plastic cap M8. And cover the hexagon screw and nuts

on rear connecting bar with plastic caps M6 as Picture 12.



Picture 12

7. Safety inspect before driving.

- A. Check whether all parts are installed in place and are firmly connected. There should be no missing, incorrect, or improperly assembled parts.
- B. Check whether all fasteners are connected correctly and firmly, and there should be no omissions, incorrect installations, or improper assembly.