

Outside Lifts

Installation & Owner's Manual

 **Harmar.**
America's Lift Leader™

www.harmar.com | 800-833-0478



AL030 Power Tote Folding Manual Wheelchair Lift
Capacity: 100 lbs



AL010/050 Micro Power Chair / Scooter Lift
Capacity: 135 lbs



AL015 Micro Scooter Lift
Capacity: 100 lbs



AL100 Universal Lift
Capacity: 350 lbs



AL160 Low Profile Universal Scooter Lift
Capacity: 350 lbs



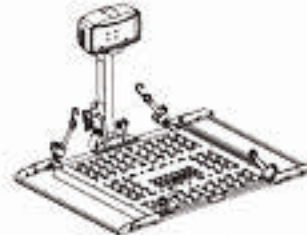
AL300 Universal Scooter/Power Chair Lift
Capacity: 350 lbs



AL300RV RV Lift Scooter/Power Chair Lift
Capacity: 350 lbs



AL500 Universal Power Chair Lift
Capacity: 350 lbs



AL301XL Extra Wide Universal Power Chair Lift
Capacity: 350 lbs



AL560 Auto Hold Down Power Chair Lift
Capacity: 350 lbs



AL560XL Automatic Extra Large Power Chair Lift
Capacity: 350 lbs



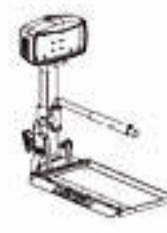
AL570 Auto Power Chair Lift
Capacity: 350 lbs



AL570 Extra Large Power Chair Lift
Capacity: 350 lbs



AL580 Power Chair Lift
Capacity: 350 lbs



AL580XL Extra Large Power Chair Lift
Capacity: 350 lbs



AL585-SEL Power Chair Lift
Capacity: 250 lbs



AL585-SS Power Chair Lift
Capacity: 250 lbs



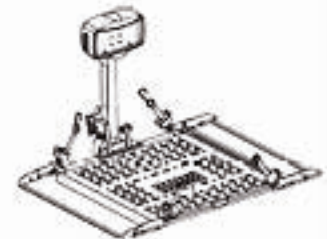
AL100HD Heavy Duty Scooter Lift
Capacity: 400 lbs



AL300HD Heavy Duty Scooter/Power Chair Lift
Capacity: 400 lbs



AL500HD Heavy Duty Power Chair Lift
Capacity: 400 lbs



AL301XLHD Extra Wide Heavy Duty Power Chair Lift
Capacity: 400 lbs

Read and understand this manual thoroughly before attempting to install or operate the lift. If you have any questions, please contact your Authorized Harmar Dealer or Harmar's Technical Service Department.

Dealer Name & Contact Information:

P 800-833-0478 | F 866-234-5680 | TECH@HARMAR.COM

Serial # of Your Lift:

Contents

Section 1: Owner

OPERATING YOUR LIFT

General Operation	3
AL010/050 and AL030 Micro Lifts	6
AL570 & AL570XL Lifts	7
Using a Swing-Away	8
Manual Override	10

SAFETY & MAINTENANCE 11

Section 2: Installer

PREPARATION

Tools Required	13
Unpacking the Lift	14
Installation Overview	15

INSTALLATION

Wiring the Vehicle	17
Vehicle Hitch	19
Hitch Adapters	20
Lift Installation	
Hitch Post Mount	22
AL030 Bumper Mount	23
Swing-Away	24
AL030 Power Tote Ball Mount	26

CHAIR PREPARATION 27

Anchor Plate	27
U-Bolt Kit	28

LIFT ADJUSTMENTS

AL015 / AL100 / AL100HD / AL160..	29
AL010/050 and AL030	31
AL560 & AL560XL	32

AL560 & AL580 Hold-Down Arm ...	33
AL570 & AL570XL Chair Plow	34
Dock 'N' Lock: AL570 & AL570 XL ...	35

TROUBLESHOOTING 37

EXPLODED VIEWS

AL030	39
AL010/050	40
AL015	41
AL100	42
AL160	43
AL300	44
AL300RV	45
AL301XL	46
AL500	47
AL560	48
AL560XL	49
AL570	50
AL570XL	51
AL580	52
AL580XL	53
AL585SEL	54
AL585SS	55
AL100HD	56
AL300HD	57
AL301XLHD	58
AL500HD	59

ELECTRICAL HARDWARE 60

WARRANTY 63

NOTE: The following symbols indicate areas where you should take special care to avoid danger to individuals or property.



WARNING

Hazardous situation. If not avoided, could result in serious injury to installer or user.



CAUTION!

Hazardous situation. If not avoided, could result in serious damage to property.

GENERAL OPERATION

1. LOWERING THE LIFT

Insert key and switch to 'ON' position. Press 'DOWN' on toggle switch. The platform will unfold. Continue to lower until platform reaches the ground and becomes level. [Figure 3-1]

DO NOT over-lower to the point where the vehicle begins to rise. This will damage the lift.

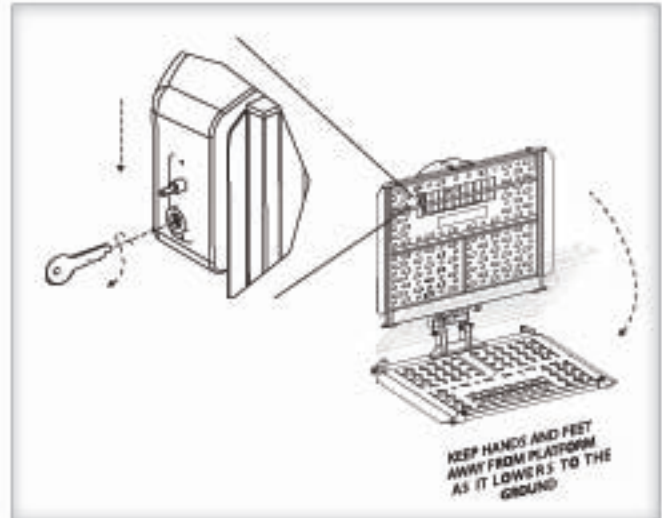


Figure 3-1

2. DRIVE CHAIR ONTO PLATFORM.

Drive slowly, stopping when the drive wheels fall between the platform bars on the side or center depending on the lift and chair model. [Figure 3-2]

IMPORTANT

Positioning the chair properly on the platform is critical to ensure it is properly locked onto the lift. Always verify wheels are captured by cradles or bars. Please consult your dealer on the specifics of your application.

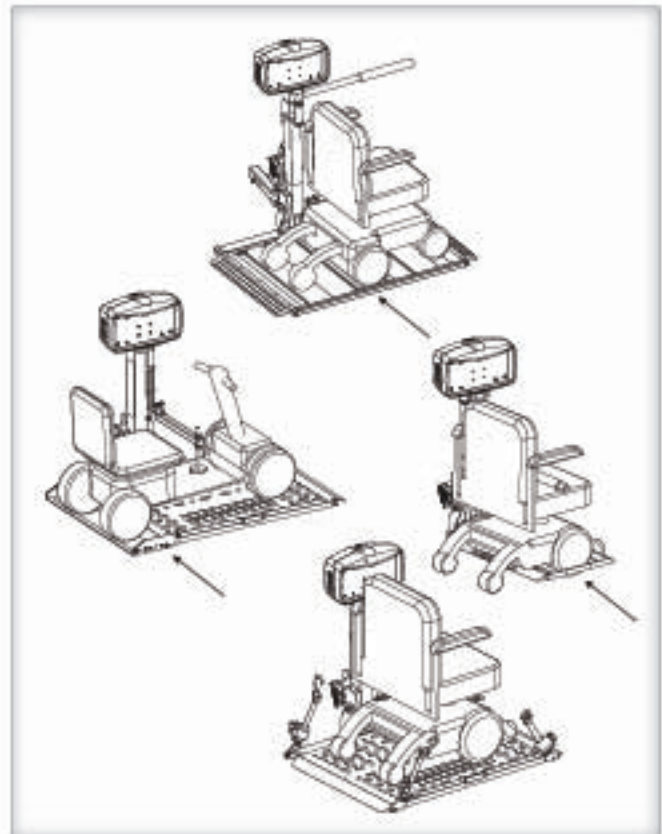


Figure 3-2

3. SECURING THE CHAIR

Depending on your lift model and the type of securement device it uses, you may wish to raise the platform halfway, using the 'UP' toggle switch, in order to avoid having to bend over while you attach straps or flip the chair's armrest out of the way of the hold-down arm. *[Figure 4-1]*

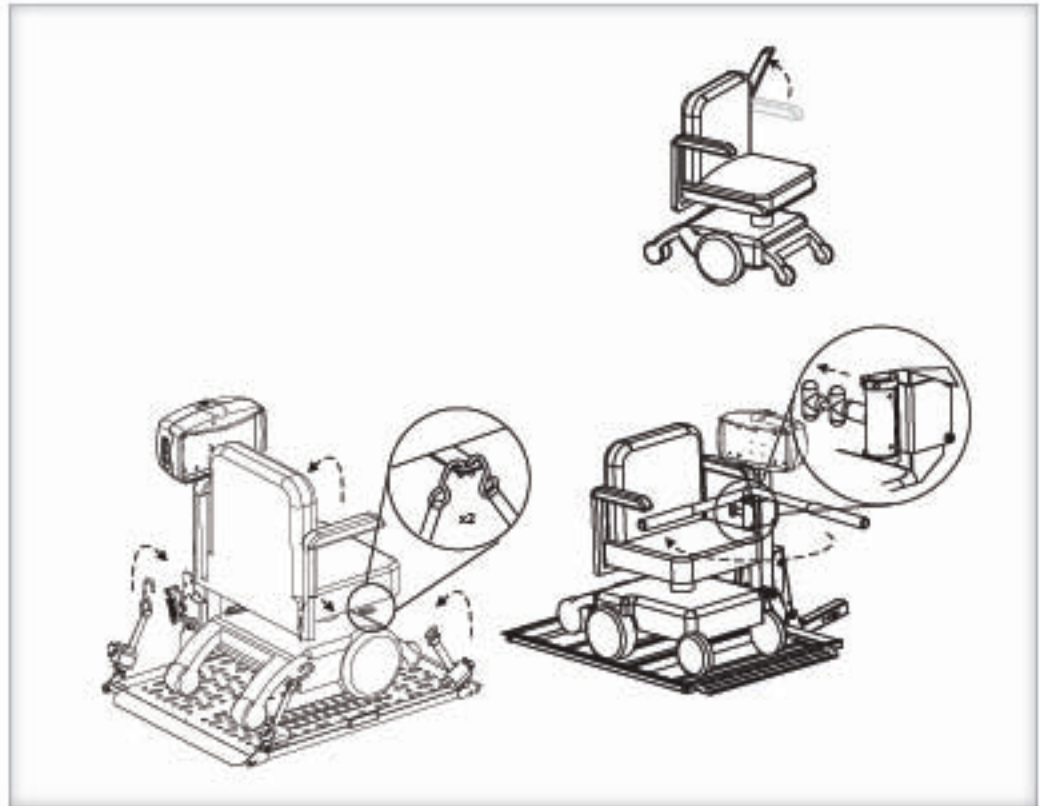


Figure 4-1

4. RAISING THE LIFT

When the chair is secure, use the 'UP' toggle switch to continue raising the lift. Stop when it reaches the top of travel when you hear the clutch sound. Twist the key to remove.

[Figure 4-2]

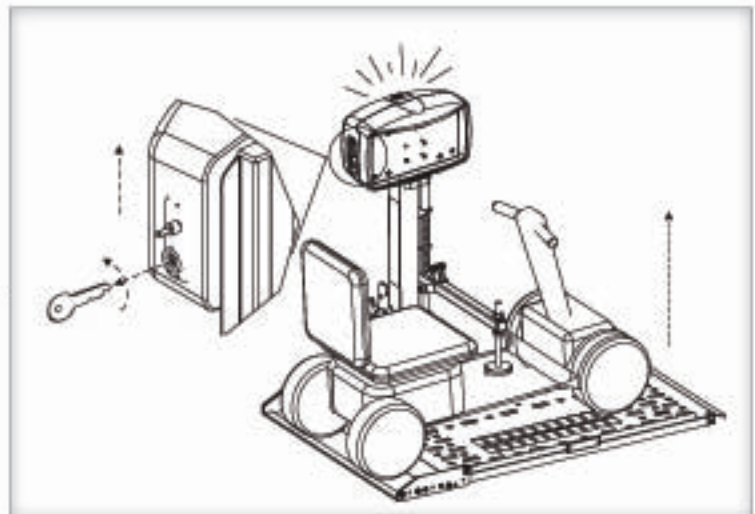


Figure 4-2

5. UNLOADING THE CHAIR

Insert the key and switch to 'ON' position. Press 'DOWN' to lower the lift. Do NOT continue travel to the point where the vehicle rises; that will damage the lift.

[Figure 5-1]

Drive the chair off the platform carefully. When the chair is unloaded, press 'UP' and the platform will automatically fold. (Except AL010/050 and AL030).

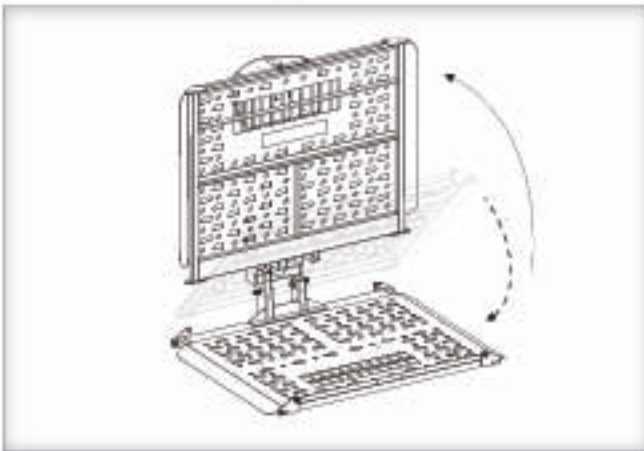


Figure 5-1



CAUTION

These are general instructions. Specifics may vary based on your chair model and lift combination. Please follow the specific instruction suggested by your dealer.



CAUTION

Always verify the chair or scooter is held firmly in place prior to transport.

- **Always** run the lift fully to the top for transport. The lift will make a ratcheting sound which indicates that all mechanisms are locked and prepared for travel.
- **Never** attempt to move the vehicle without the lift being in the full up or stowed position. This may damage the lift.
- **Drive slowly** over rough terrain such as pot holes, unpaved roads, railroad tracks. Excessive loads from rough driving will damage your lift and is not covered by the warranty.
- **If you notice any damage, stop using the lift immediately.** Do not attempt to transport a chair or scooter with a compromised lift. Damage to your chair, lift, vehicle may occur. Take the lift to your nearest dealer and have it evaluated prior to further use.

AL010/050 AND AL030 MICRO LIFTS

MICRO LIFTS / FOLDING

AL010/050 and **AL030** models require the platform to be folded and unfolded manually.

The locking mechanism consists of a pin and keeper plate, which must be disengaged before unfolding. Simply hold the platform firmly and lower it approximately 2" to allow the platform to disengage and unfold. *[Figure 6-1]*



WARNING

Hold platform firmly while lowering the lift to its down position.

To lock in the upright position, lift platform up before the pin engages the keeper plate. *[Figure 6-2]*



WARNING

Hold platform firmly while raising the lift until the pin has engaged the keeper plate.

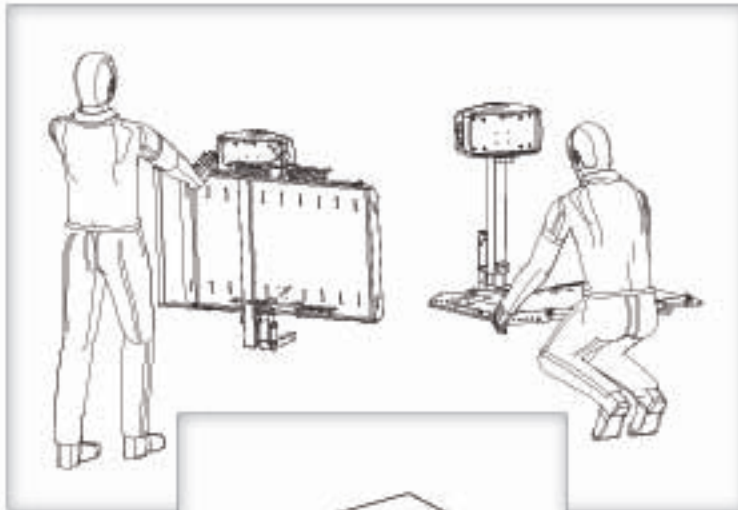


Figure 6-1

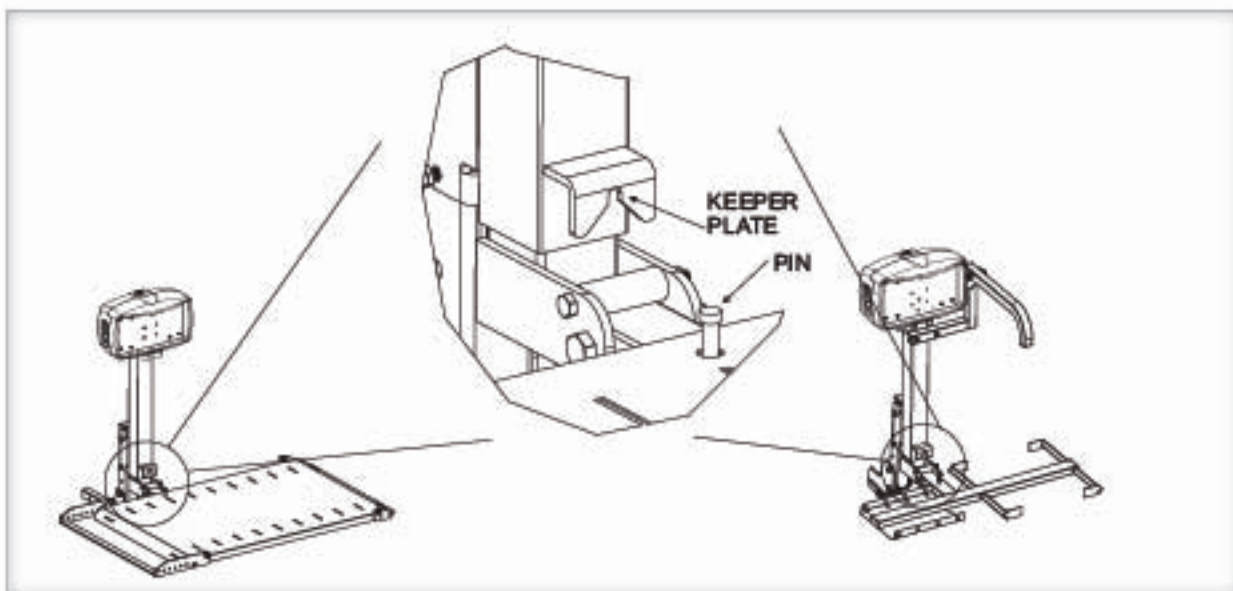
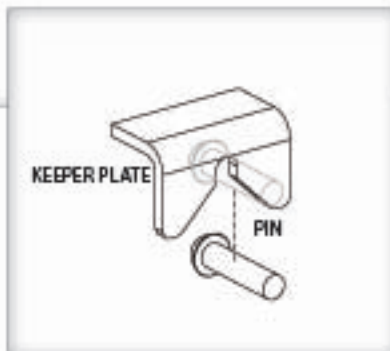


Figure 6-2

AL570 & AL570XL

LOADING THE CHAIR

Set chair speed to SLOW. Drive chair forward carefully until the chair plow engages with the Dock 'N' Lock [Figure 7-1]

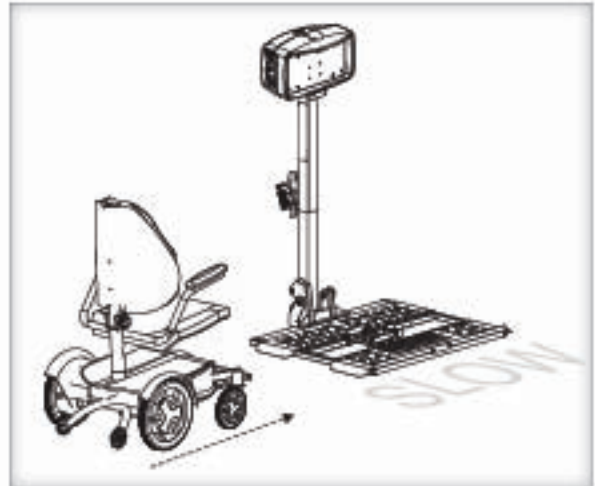


Figure 7-1



Set chair speed to SLOW and use extra caution while driving on and off the platform.

Raise lift 2"-3" to close the Dock 'N' Lock. [Figure 7-2]

TEST SECUREMENT

Raise the lift platform 3"-6" off the ground. Set the chair speed controller to slow and attempt to move the chair in reverse. If successfully locked, the chair will not move in reverse. [Figure 7-3]

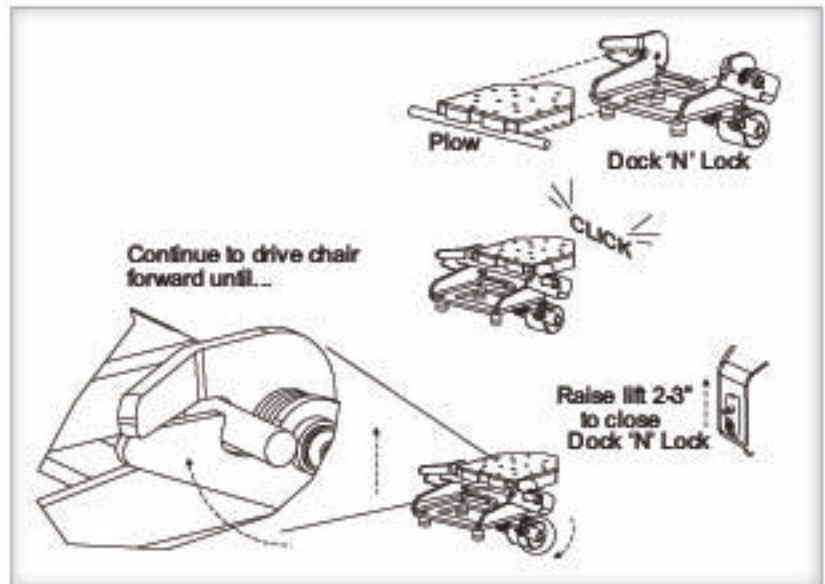


Figure 7-2

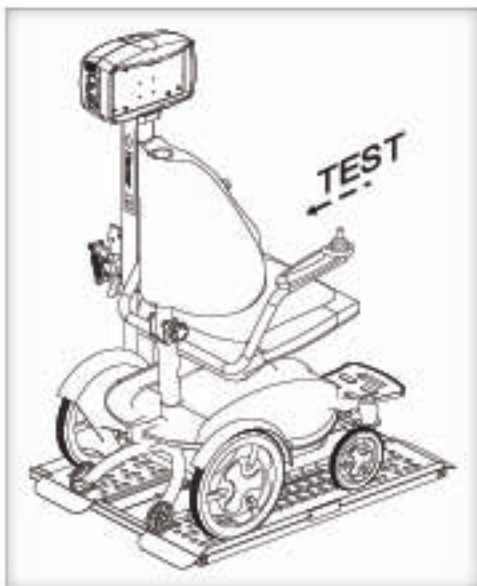


Figure 7-3



The Dock 'N' Lock **MUST** be tested **EVERY** time you load the chair for transport. **DO NOT** attempt to travel with the chair until you verify that the chair is fully engaged on the platform. Failure to do so could result in serious injury or property damage.

SWING-AWAY

The Swing-Away allows you to easily swing the installed auto lift away from the back of the vehicle for convenient access to the trunk or lift gate. The Swing-Away option can be purchased from an authorized dealer and added at any time.



NEVER open the Swing-Away with the chair on the lift.

You will damage the Swing-Away and the lift. It will potentially damage the vehicle and the chair. Any of these actions will VOID your warranty.



Figure 8-1



Open **ONLY** on Level Ground

Failure to open on level ground may result in losing control of the lift, resulting in personal injury or damage to property.



Figure 8-2

OPENING THE SWING-AWAY

1. Remove Safety Pin [Figure 8-3]

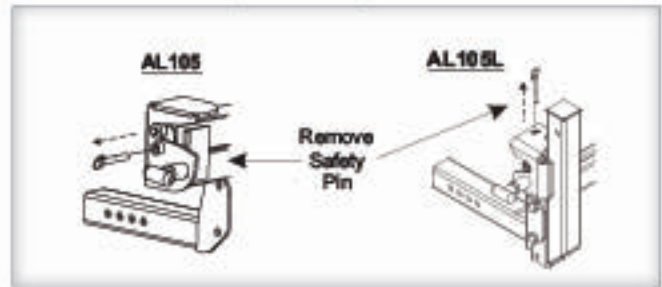


Figure 8-3

2. Pull T-Handle [Figure 8-4]

- Grasp the lift firmly and swing it out, away from the vehicle. The Swing-Away can be opened up to 180 degrees from the closed position to allow full access to the vehicle's cargo area. [Figure 8-5]

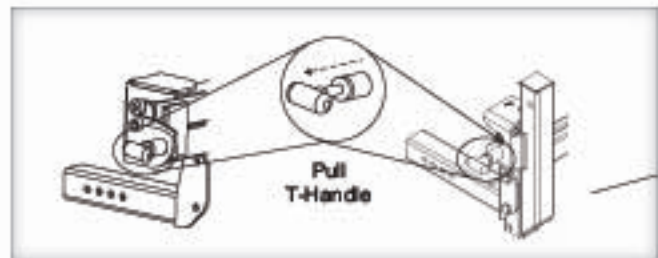


Figure 8-4

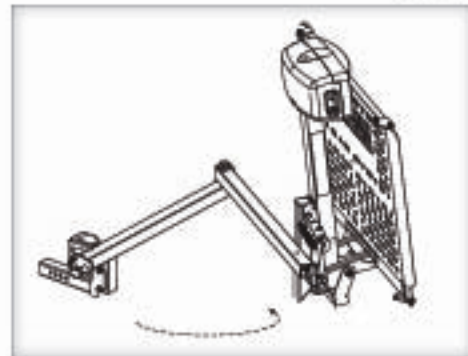


Figure 8-5

NOTE: Two Swing-Away models are available, a standard **AL105** and the lightweight **AL105L**. They work basically the same way but the parts differ slightly as noted in [Figure 8-3].

CLOSING THE SWING AWAY

Close the Swing-Away unit as you would a car door.

**WARNING**

Stay clear of the latching mechanism

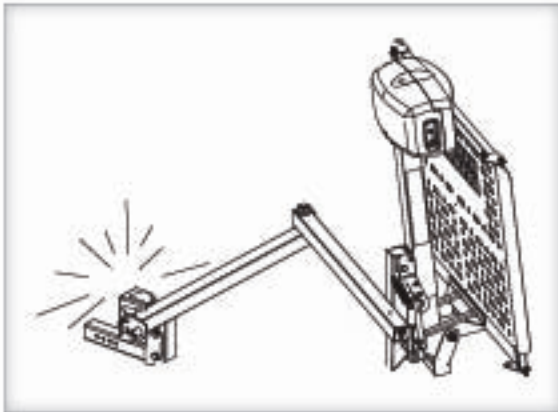


Figure 9-1

**CAUTION**

Verify that the T handle has fully retracted.

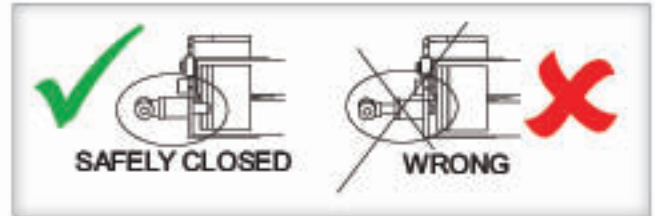


Figure 9-2

**WARNING**

Always install the safety pin.

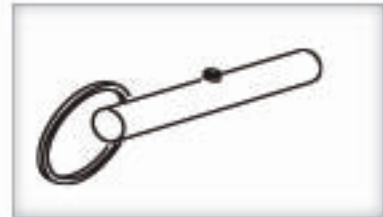


Figure 9-3

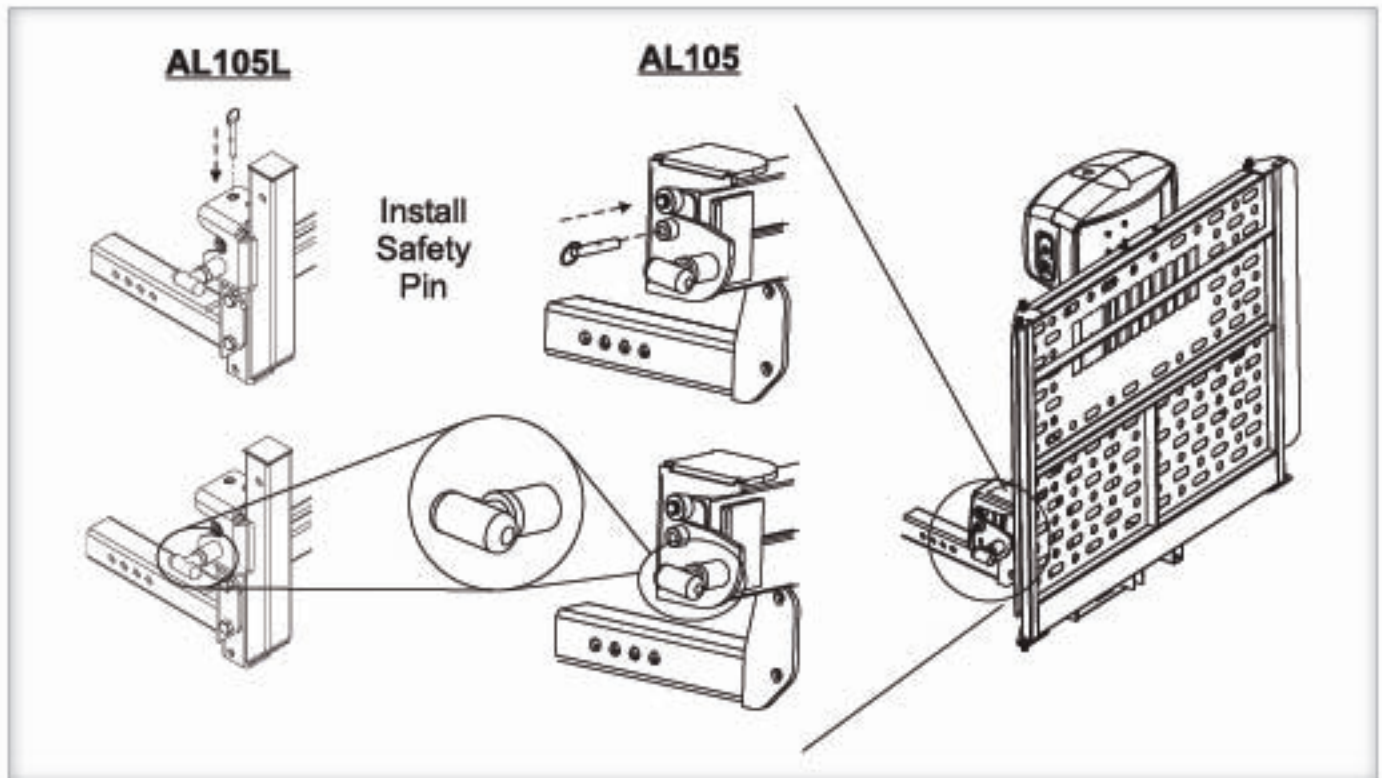


Figure 9-4

MANUAL OVERRIDE

In the event of a power failure, for example if your car battery dies, your lift can still operate using the Manual Override system.

1. Unplug Power to the Lift. [Figure 10-1]

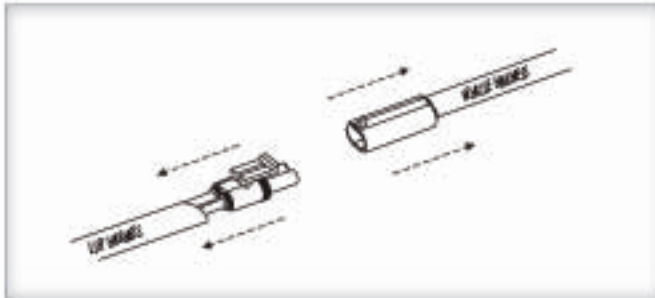


Figure 10-1

2. Remove the cap on top of the motor cover, using a coin or key. [Figure 10-2]



Figure 10-2

3. Insert a 3/8" socket wrench into the actuator and rotate the Hex Shaft. [Figure 10-3]



Figure 10-3

 **WARNING** Disconnect power from lift **BEFORE** attempting manual override.

IMPORTANT! You **MUST** unplug the two-connector plug **BEFORE** any attempt to use the Manual Override. Failure to do so result in serious injury.

4. Turn **COUNTER-CLOCKWISE** to **LOWER** the platform. [Figure 10-4]

5. Turn **CLOCKWISE** to **RAISE** the platform. [Figure 10-4]

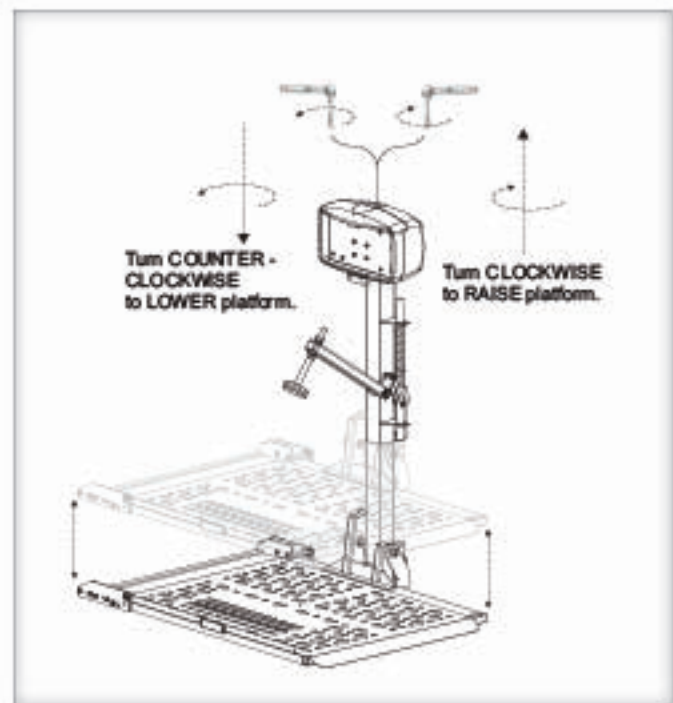


Figure 10-4

SAFETY & MAINTENANCE

**WARNING!**

This lift is **NOT** meant for human transport. The chair or scooter **MUST** be unoccupied before operating the lift. Each lift is designed to transport a specific chair only. **DO NOT** attempt to move any mobility devices, objects, people, or materials other than those for which the lift was designed.

**CAUTION!**

Drive with **EXTREME CARE** while transporting your chair or scooter on the lift. **DRIVE SLOWLY** over rough terrain such as pot holes, unpaved roads, railroad tracks. Excessive bumping creates stress on the lift and vehicle and can badly damage your lift, vehicle, and mobility device.

**SPECIAL CAUTIONS**

- **Return hold-down arm to a side position before folding platform.** Failure to do so will damage your lift.
- **Beware of pinch points.** These are areas of mechanical objects with moving parts that can catch extremities or clothing. Do not place fingers, extremities or allow clothing near such points.
- **Keep hands, feet and objects away from Platform as it Lowers.**
- **Keep chair tires properly inflated.** Improper inflation will change how the chair fits and secures on the platform, and changes the clamping pressure.
- **Secure chair firmly before driving.** Double-check that it is secured properly to the platform before you transport it.
- **Inspect the lift condition often.** If ANY parts are worn or damaged, **DO NOT USE THE LIFT.** Immediately contact the dealer you purchased the lift from for repairs.
- **Do Not Enter Steep Driveways Straight On.** Enter and leave at an angle to the street so that the lift does not drag on the ground.
- **Do Not Move the Vehicle with Platform Down.** If you move with the platform in the down position, you will damage the lift mechanism.
- **Hand Wash or Use Touchless Automatic Car Wash only.** To prevent lift damage do NOT use automatic wash systems.

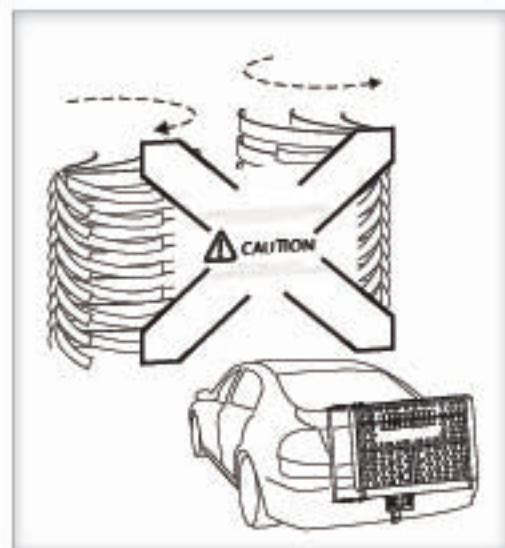


Figure 11-1

NOTES FOR AL015, AL100 AND AL160 MODELS



WARNING!

On some scooters, it may be necessary to temporarily move the steering tiller forward to clear the hold-down arm as it lowers into the lock-down position.



WARNING!

Some scooters have pneumatic (air inflated) tires. If your scooter has this type tire, be sure the tires are properly inflated. Improper inflation will change the deck height of the scooter and therefore change the amount of clamping force the hold-down arm places on the scooter. The scooter can fall off the lift if not properly secured.



CAUTION!

Drive the scooter off in REVERSE. When the scooter is clear of the platform, raise the platform, raise the platform by pushing up on the UP/DOWN switch.

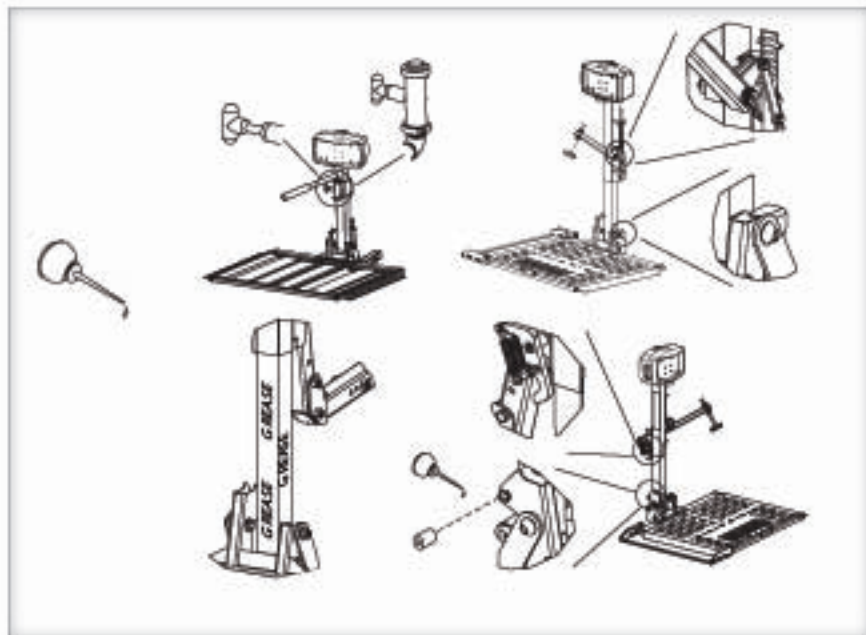


Figure 12-1

MAINTENANCE

This Outside Lift is designed to be as trouble free as possible; however, some basic maintenance will ensure that it continues to offer reliable use for years to come.

Oil pivot points on all moving parts every 30 days.

Re-grease the inside vertical square tube every 30 days in winter or in dirty or dusty conditions. Just lower the platform to the ground and clean the tube with mineral spirits, WD-40, or a good solvent. When clean, grease the square vertical tube shaft with high grade water-resistant grease such as boat trailer wheel bearing grease. [Figure 12-1]

Check for paint chips and touch up bare metal. Use a good gloss black enamel or lacquer to inhibit rust. You may need to do this more frequently if your lift is subject to salt air or road salt in the winter.

PROFESSIONAL INSTALLATION RECOMMENDED

NOTE: The following section is designed for the professional installer. We strongly recommend that a certified dealer install the lift, configure the docking device, and instruct the user on correct operation as well as establish a Safety and Maintenance Schedule.

If you do not understand any portion of installation or operation, please consult our technical service department or authorized mobility dealer. Do not attempt to install or use this

lift with any hesitation or question. Serious injury or damage can result if proper procedures are not followed.

Read & Understand this Manual Prior to Installation or Operation.

Having an overall understanding of the lift and proper installation techniques will help you save time, energy and avoid possible injury.

TOOLS REQUIRED

Installations may vary to some degree, but below are the basic tools to have on hand for an Outside Lift installation.

If you have any questions, concerns or comments, please contact our Technical Service Department at 800-378-6648 or tech@harmar.com



SOCKET SET
Specifically

3/8"
7/16"
1/2"
9/16"
3/4"



WRENCH SET
Specifically

7/16"
1/2"
9/16"
3/4"



ALLEN WRENCH
Specifically

1/8"
3/16"
5/16"



WIRE CUTTERS



NEEDLE NOSE PLIERS

#2 FLAT HEAD SCREWDRIVER



#2 PHILLIPS HEAD SCREWDRIVER



MARKING IMPLEMENT



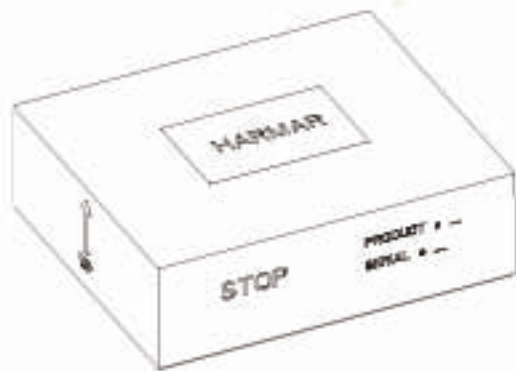
TAPE MEASURE



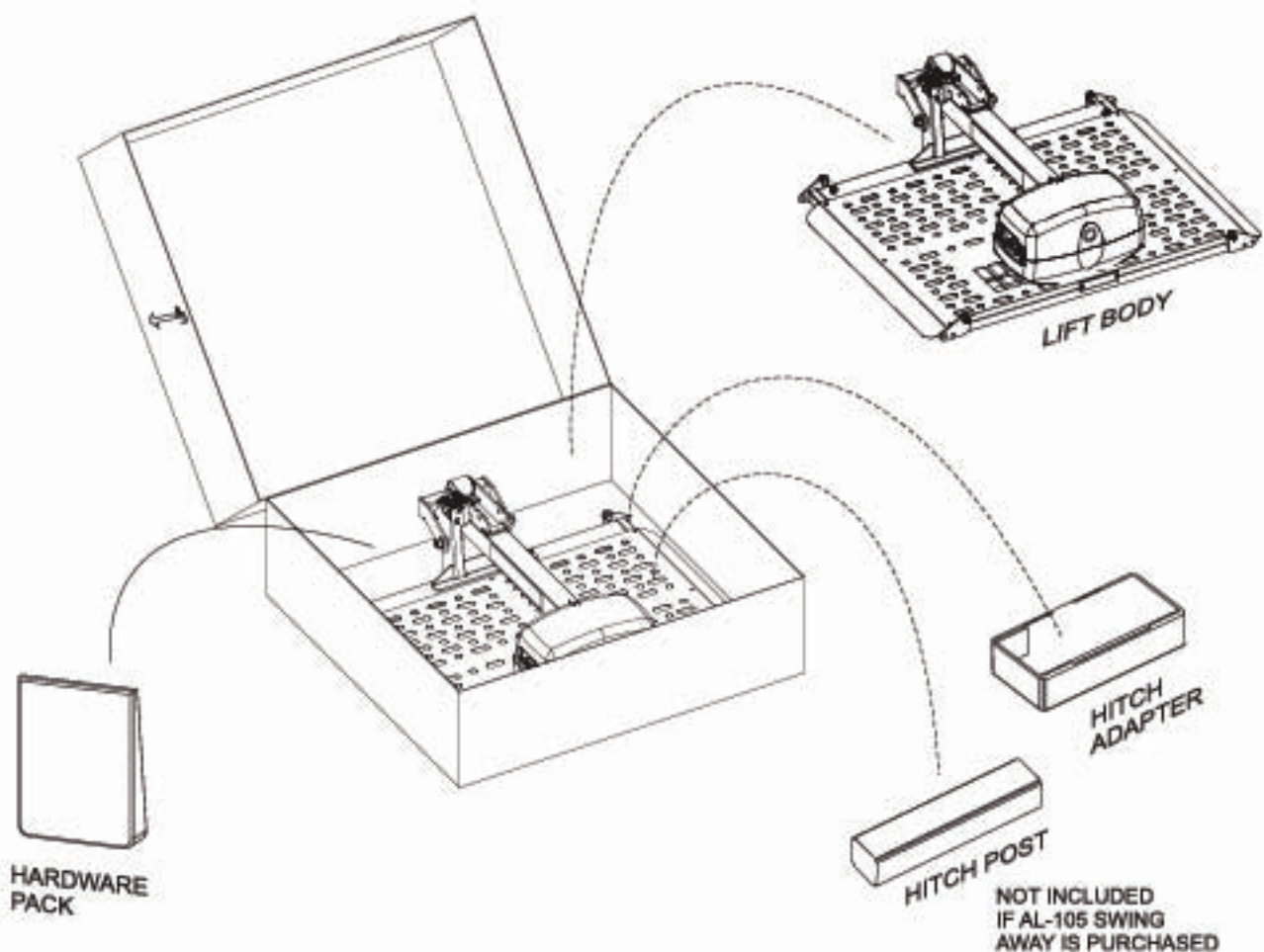
UNPACKING THE LIFT

Check the box contents. Review each part against the packaging checklist to ensure that all parts have been included.

If any parts are missing or damaged, immediately contact the dealer who sold the lift. Do not attempt to install or use a lift that has missing or damaged parts.



**DO NOT
LIFT
FROM
MOTOR
COVER**



INSTALLATION OVERVIEW

Never attempt to pick up the lift from the box, ground or on/off a vehicle alone.

If you follow the proper installation procedure, no heavy lifting will be needed, and the lift practically installs itself.

Read & understand this Manual prior to installation or operation.

Knowing the lift's adjustments and the tips on proper installation techniques will save time, energy and avoid possible injury. If you do not understand any portion of installation or operation, please consult our technical service department or authorized mobility dealer.



Quick Reference – Installation Procedure

1. Wire the Vehicle. See page 17.

Installing the wiring harness first will ensure you have power to the lift during installation. This allows the motor to do the lifting for you. (If you skip this step, use a shop battery.)

2. Position the open box behind the vehicle. Slice the corner seams. [Figure 15-1]

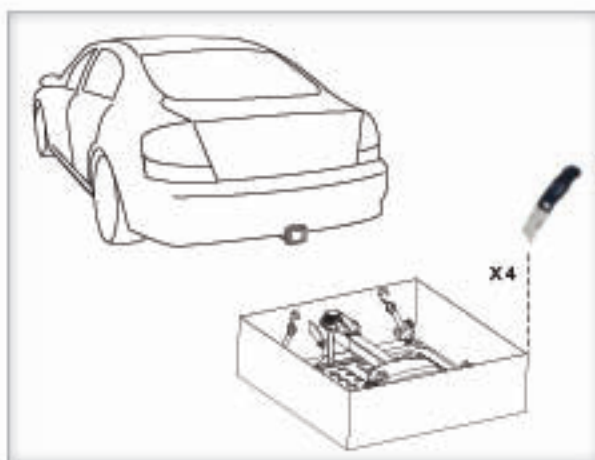


Figure 15-1

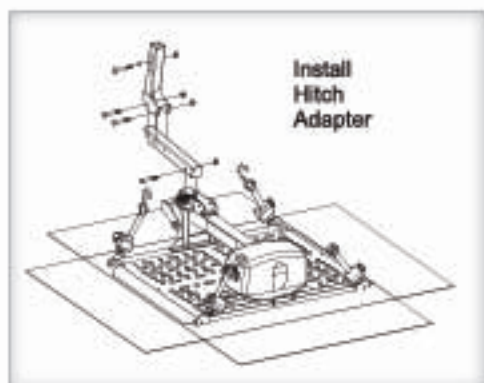


Figure 15-2

3. Determine / Install Hitch Height / Adapter. Measure the hitch to ground distance so you can save time by selecting components that fit between lift and vehicle so as to maintain proper ground clearance. [Figure 15-2] Install Hitch Adapter that fits the application. See pages 21 to 25.

4. Connect power to the lift. [Figure 16-1] Insert and turn key. Press 'DOWN' to extend the lift. [Figure 16-2]

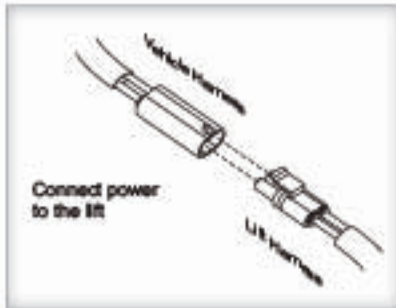


Figure 16-1

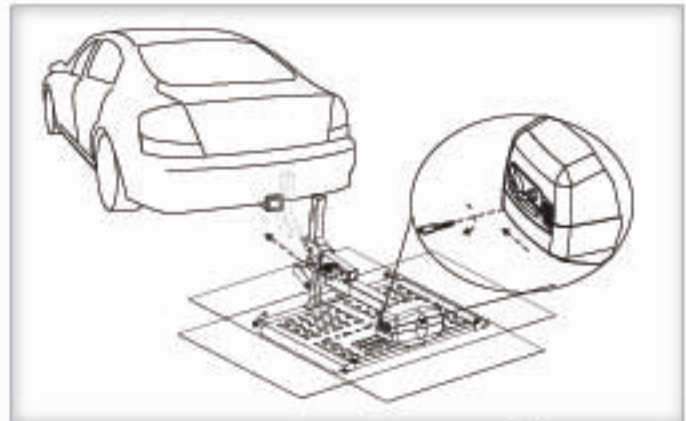


Figure 16-2

5. When extended 3" or more flip up to vertical. [Figure 16-3]

6. Align the hitch adapter, using the power of the lift. The lift will slide on the cardboard box. [Figure 16-4]

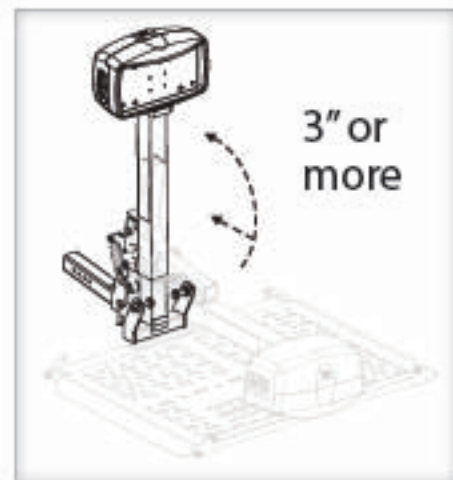


Figure 16-3

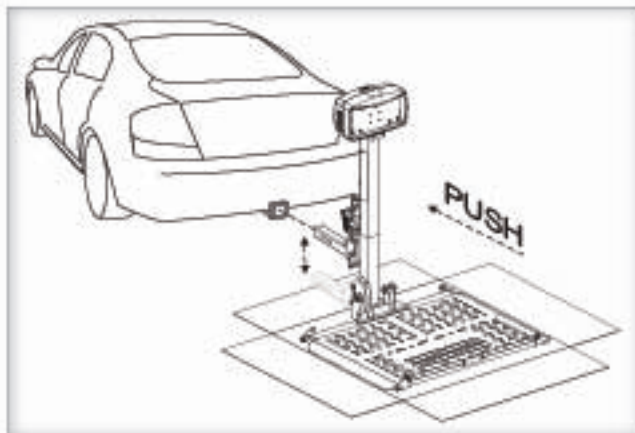


Figure 16-4

WIRING THE VEHICLE

Improper wiring is the #1 cause of problems in the operation of a vehicle lift. Follow the wiring instructions carefully

WARNING!  **DO NOT** connect the red wire until **LAST**.

The vehicle wiring harness is located in the hardware pack. The harness is manufactured to comply with SAE J1128 requirements. It is approximately 23 feet long and will accommodate most vehicles.

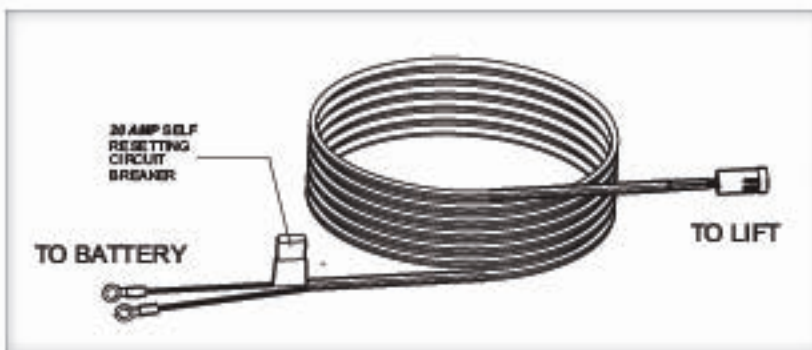


Figure 17-1

1. Unwind the wiring harness and lay it flat.

The harness end with the black connector is the lift end. It goes to the trailer hitch area where the lift will mount. [Figure 17-1]

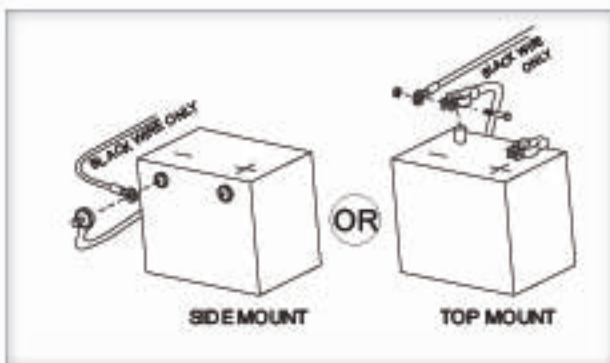


Figure 17-2

2. Begin routing the wiring harness at the vehicle battery. Attach the black wire to the negative terminal on the battery. Do NOT attach the red wire until the very end of installation. [Figure 17-2]



CAUTION!

NEVER attempt to connect the harness to a secondary power source. Always connect both leads directly to the battery.

3. Run the vehicle harness under and, when possible, through the vehicle back to the bumper/trailer hitch area.

- Run the wire under and through the vehicle whenever possible, gaining entry into the vehicle through the firewall
- **DO NOT** run wiring where it can be snagged by road debris.
- **DO NOT** run wiring near the gas tank.
- If you wish to run the harness under the vehicle, use the supplied wire ties to secure the wire against the frame, avoiding moving parts / hot parts such as exhaust.

continued

- If the harness is too long, coil the excess wire and secure it to the vehicle frame/bumper with the supplied wire ties. [Figure 18-1]



DO NOT cut or shorten the harness.

CAUTION!

4. Once harness is run into the vehicle, remove the pin's protective tubing.

5. Inspect the pin's retaining flanges. They may have become deformed while run through the vehicle. These are critical to secure the pins inside the connector. Adjust as needed.

6. Flip open end connector's hinged retainer, insert pins as shown. [Figure 18-2]

Verify the wires can not be pulled out by moderately pulling on the wires.

Be sure rubber seals are inside back of connector and close the hinged retainer.

7. Plug connector into the lift.

8. LAST...attach red wire to the positive terminal on the battery. [Figure 18-3]

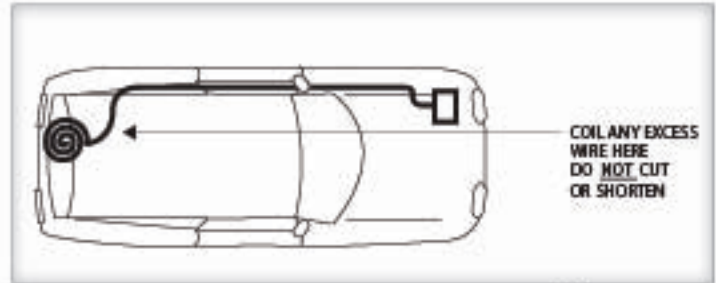


Figure 18-1

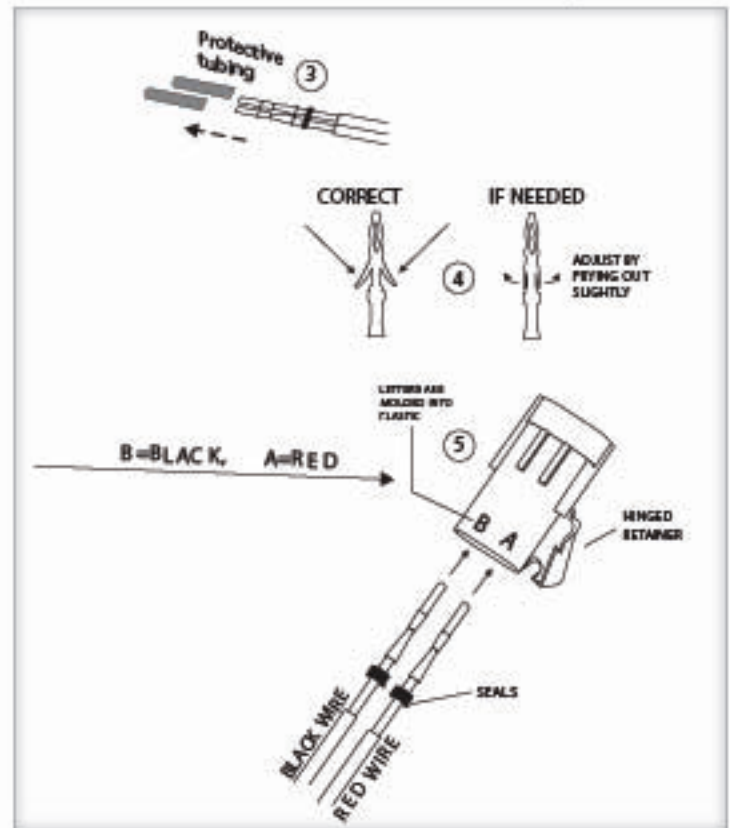


Figure 18-2

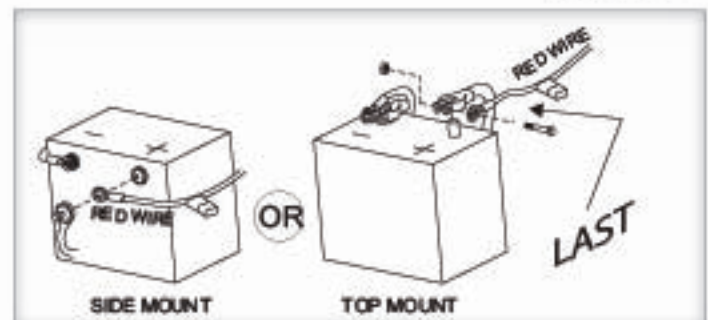


Figure 18-3

IMPORTANT!

If the installation requires the wiring harness to run on the underside of the vehicle, route the harness away from the exhaust system, brake lines, fuel lines and gas tank. Avoid pinch points and sharp edges. Avoid locating the harness where it can be snagged by road debris.

NOTE: A standard two-contact trailer connector is included with the lift. This is for the license plate lamp. If your vehicle is not equipped with the proper connector, you can use the **BROWN WIRE** to make a wire splice and achieve the same result. [Figure 19-3]

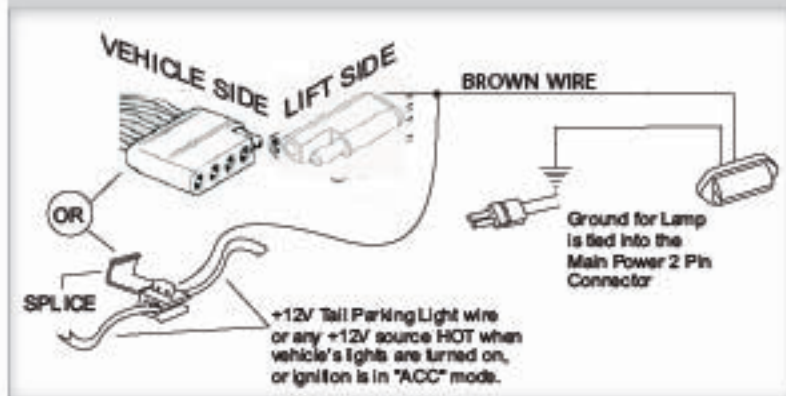


Figure 19-3

TECH NOTE: MOTOR TESTING

Troubleshooting with a test light or voltage meter may give a false indication.

When you probe for 12 volts, the reading may indicate a connection, even if the connection is not necessarily sufficient. The lift's motor can draw up to 20 amps at some points, requiring all of the available wire to flow proper current. Poor connections are the #1 problem associated with a slow, intermittent, warm, poorly performing motor which will also deteriorate prematurely.

If a single strand of a multi-strand wire is making contact, 12V will appear on a meter or test light, but it will not allow the motor to operate. It is always best to test both current and voltage, or run the motor with known good shop battery or power source when troubleshooting.

VEHICLE HITCH

Outside Lifts require a vehicle that can accept a Class 1, 2 or 3 hitch. The vehicle should be wired with a standard 4 connector trailer wiring.

If you are not sure about the vehicle and hitch capability, contact a local hitch installer or you can visit web sites of a hitch company. For example: www.hitch-web.com; www.reeseprod.com; www.draw-tite.com

Be sure to use a hitch installer that is reputable, insured, and capable. Their work reflects directly on the customer's perception of your mobility lift installation.

NOTE: Not every vehicle is capable of having a hitch installed.

1. Calculate the weights of the lift, mobility device, and, where applicable, the Swing-Away option. Be certain that the total weight does not exceed the hitch's recommended tongue weight. A range of hitches are available, capable of bearing different amounts of weight.

The lift manufacturer suggests the installer observe the vehicle's Gross Vehicle Weight Rating restrictions.

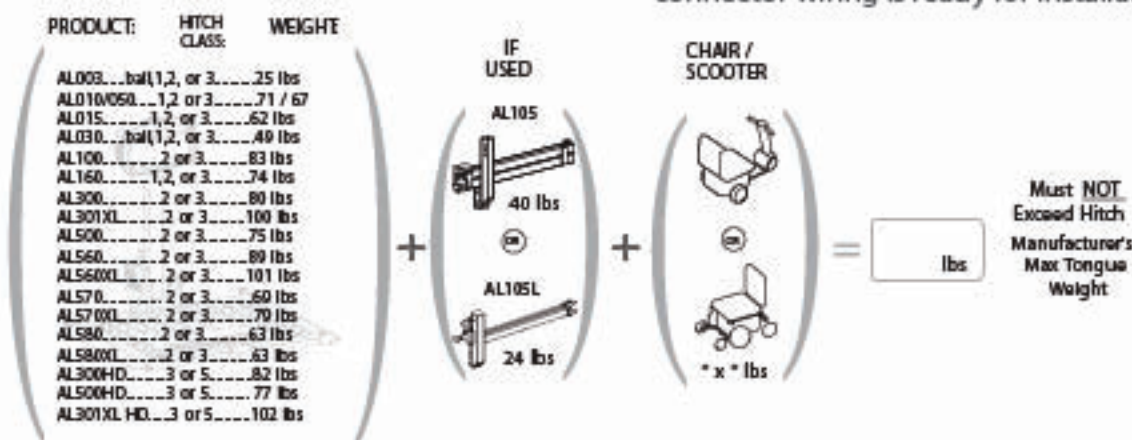
Some states have strict license plate obstruction laws. Familiarize yourself with local and state laws.

2. Ensure the receiver tube of the hitch is installed parallel to the ground. This is a requirement, not merely a recommendation. If the hitch is not installed properly it affects the lift's functionality.

Some vehicles will require that the rear suspension be supplemented. The manufacturer recommends the installer contact a suspension specialist for additional technical support.

A vehicle with a Class 2 hitch requires optional accessories.

A vehicle with a Class 3 hitch and standard 4 connector wiring is ready for installation.



HITCH ADAPTERS

The Hitch Adapter plugs into the vehicle's trailer hitch and serves as the interface between the lift and vehicle. Hitch adapters are designed for the needs of different vehicles. Some are shown in. [Figure 21-1]

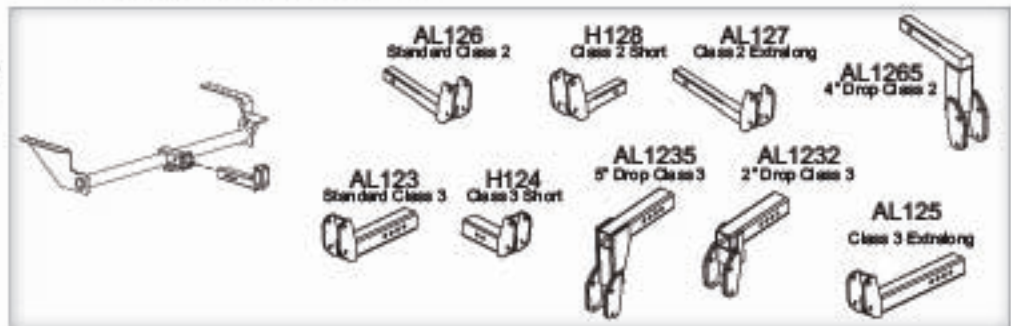


Figure 21-1

Selecting a Hitch Adapter

To determine the Hitch Adapter that will ensure proper lift operation, first determine the Hitch Class. Measure the Bumper Distance and the Hitch Height. [Figure 21-2]



WARNING! Harmar lifts require Harmar-approved hitch adapters. Hitch Expanders and Extenders are strictly prohibited – using them or any other aftermarket accessory may result in damage to the vehicle, lift, and/or personal injury to the user.

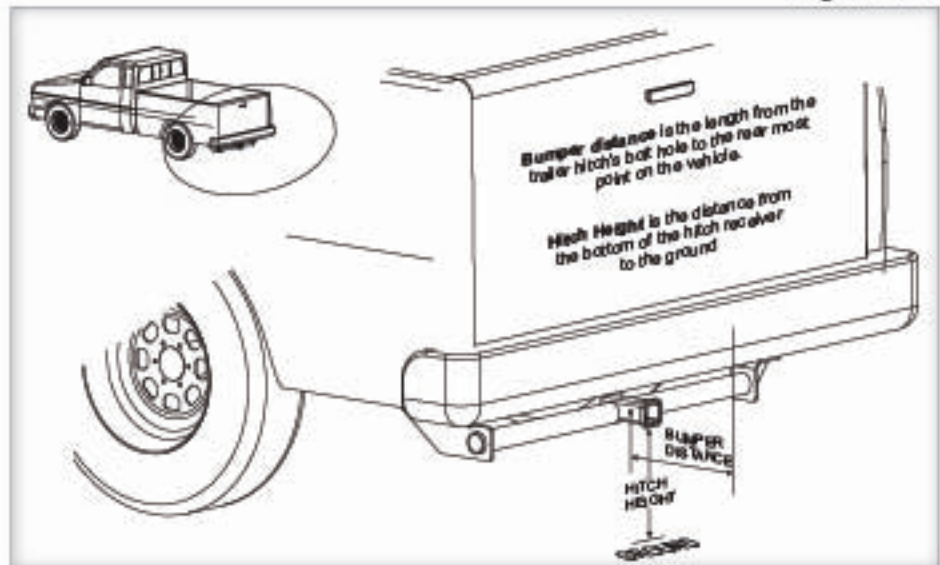


Figure 21-2

Hitch Class is usually printed on the trailer hitch. You can also determine it by measuring the inside of the receiver on the trailer hitch as shown. [Figure 21-3]

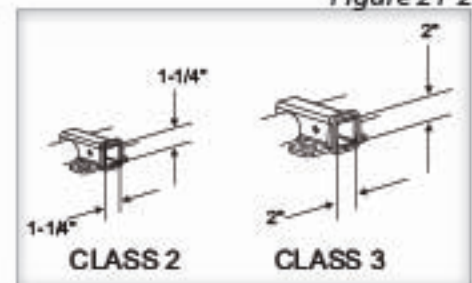


Figure 21-3

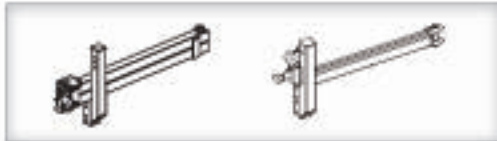
NOTE: Some shallow hitches, ex. Spare tire blocked hitches, may require a short Hitch Adapter. [Figure 21-4]

IF:	X=0-7.5"	X=7.5"-10"	X=10"-13.5"
CLASS 3	AL123 Standard Class 3	AL125 Class 3 Extra long	AL125 Class 3 Extra long
CLASS 2	AL126 Standard Class 2	AL127 Class 2 Extra long	Please contact Harmar's Technical Service Dept.

For SOME shallow hitches, ex. Spare Tire blocked hitches, a short Hitch Adapter may be required.

Figure 21-4

Figure 22-1






HITCH ADAPTERS (Con't)









The effective range of the Hitch Adapter changes slightly if the lift is equipped with the standard **AL107** Hitch Post [Figure 21-1] or if it's equipped with a tail gate/hatch accessibility option, either the **AL105** or **AL105L** Swing-Away. [Figure 22-2]







Figure 22-2



 CLASS 3 HITCH 

 CLASS 2 HITCH 

if X =	STANDARD MOUNT AL107 HITCH POST (NO SWING-AWAY) 	SWING-AWAY (OPTIONAL) 	if X =
6"			6"
7"			7"
8"			8"
9"			9"
10"	AL-123/HD	AL-123/HD	10"
11"	STANDARD	STANDARD	11"
12"			12"
13"			13"
14"			14"
15"			15"
16"			16"
17"		AL-123/HD 	17"
18"			18"
19"	AL-123/HD 	AL-123/HD 	19"
20"			20"
21"	AL-123/HD 		21"
22"		PLEASE CONTACT TECHNICAL SERVICE DEPARTMENT FOR AVAILABILITY OF LARGER DROP ADAPTERS	22"
23"			23"
24"	PLEASE CONTACT TECHNICAL SERVICE DEPARTMENT FOR AVAILABILITY OF LARGER DROP ADAPTERS		24"
25"			25"
26"			26"

if X =	STANDARD MOUNT AL107 HITCH POST (NO SWING-AWAY) 	SWING-AWAY (OPTIONAL) 	if X =
6"			6"
7"			7"
8"			8"
9"			9"
10"	AL-126	AL-126	10"
11"	STANDARD	STANDARD	11"
12"			12"
13"			13"
14"			14"
15"			15"
16"			16"
17"			17"
18"		AL-126/5 	18"
19"			19"
20"	AL-126/5 		20"
21"			21"
22"		PLEASE CONTACT TECHNICAL SERVICE DEPARTMENT FOR AVAILABILITY OF LARGER DROP ADAPTERS	22"
23"			23"
24"	PLEASE CONTACT TECHNICAL SERVICE DEPARTMENT FOR AVAILABILITY OF LARGER DROP ADAPTERS		24"
25"			25"
26"			26"

If the measurement falls in between, ex. 18 - 1/2", round up if greater than or equal to 1/2", round down if less than 1/2". Combination Hitch Adapters are available (ex. 5" Short Class 3, 5" Drop or Long Class 2, 2" Drop)

If you have any questions / concerns about selecting the appropriate Hitch Adapter for your application, please contact Hammar's Technical Service Department, and a trained representative will be glad to help.

INSTALLATION WITH HITCH POST

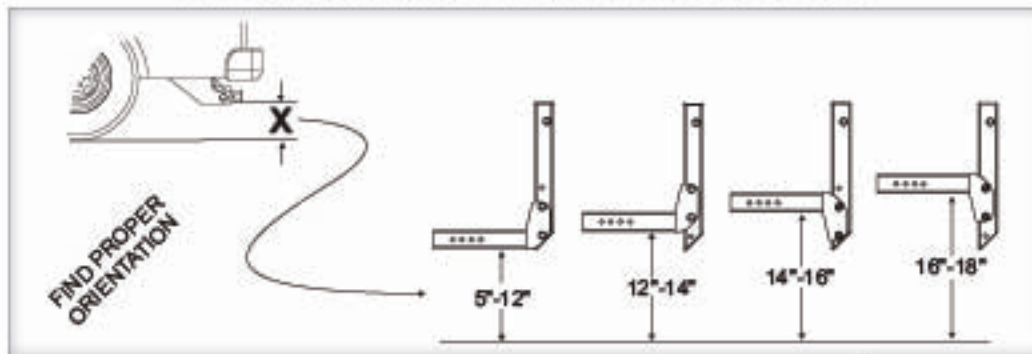


Figure 23-1

OPTIMIZING HITCH HEIGHT

You can vary the lift height by changing the Hitch Adapter's orientation and location. This helps you optimize the vehicle's ground clearance to ensure that the platform lays flat when it reaches the end of its travel.

Consult *Figure 23-1* to select the orientation needed for the vehicle based on the Hitch Height, the vehicle's hitch receiver distance to the ground.

Refer to pages 15 & 16 for an overview of the procedure.

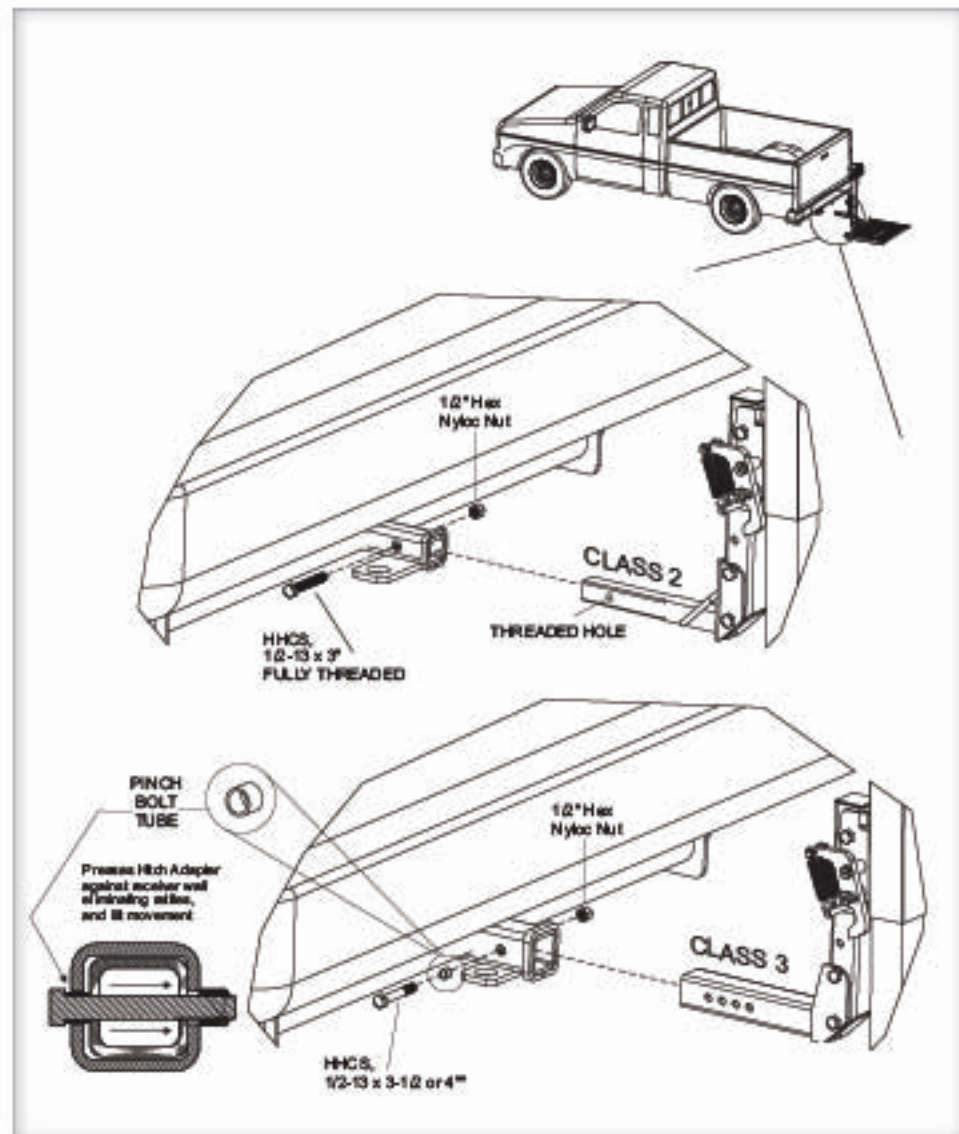


Figure 23-2

INSTALLING THE HITCH ADAPTER

- 1. Attach hitch adapter to hitch post** orientated properly according to the application's Hitch Height. [Figure 24-1]
- 2. Attach Hitch Post to lift.** Do NOT over tighten.
- 3. Slide Hitch Adapter into vehicle's hitch receiver.** Fasten Adapter according to hitch class. [Figure 23-2]

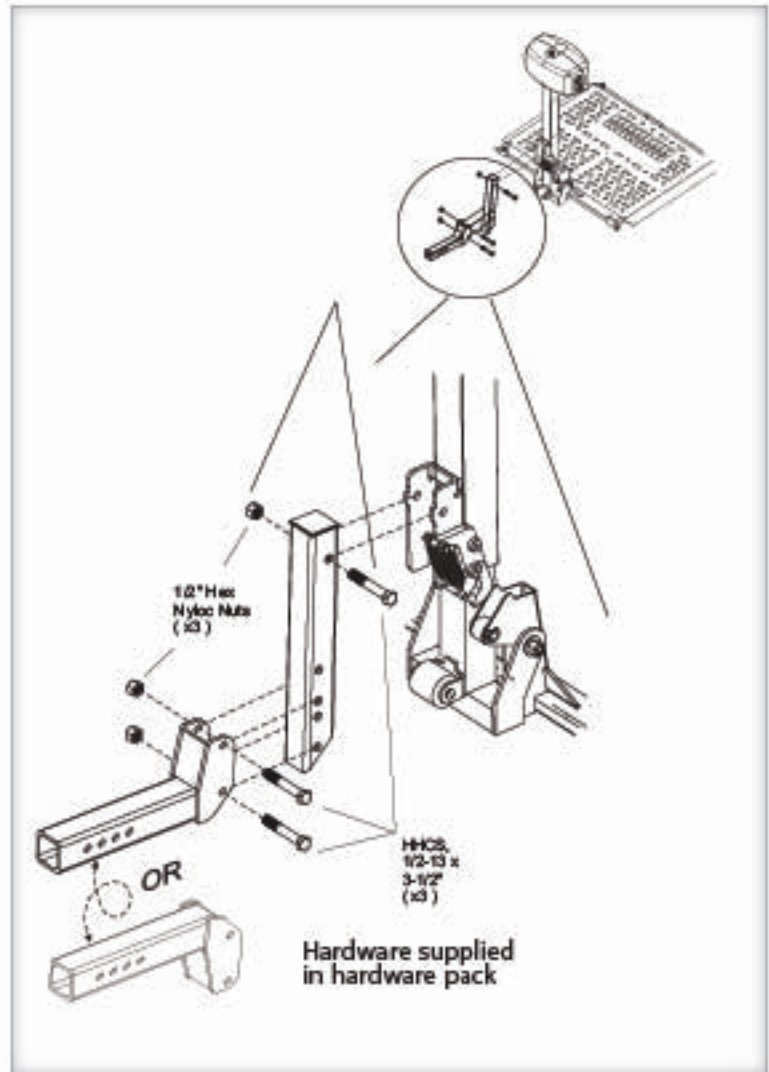


Figure 24-1

INSTALLATION WITH SWING-AWAY

OPTIMIZING HITCH HEIGHT

You can vary the lift height by changing the Hitch Adapter's orientation and location. This helps you optimize the vehicle's ground clearance to ensure that the platform lays flat on the ground when it reaches the end of its travel.

Consult *Figure 25-1* to select the orientation needed for the vehicle based on the Hitch Height, that is, the vehicle's hitch receiver distance to the ground.

Figure 25-1

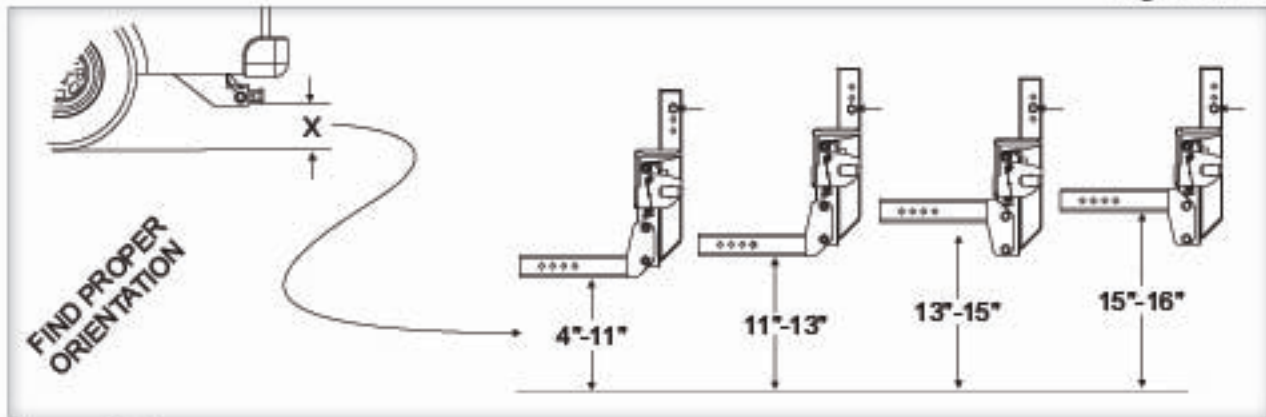
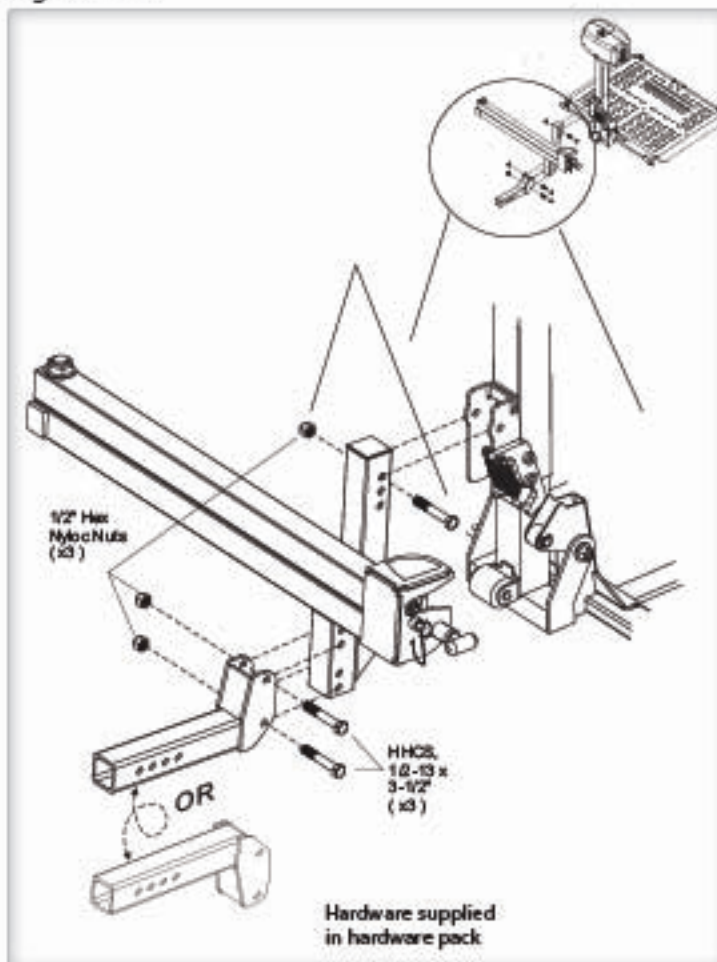


Figure 25-2



1. Attach Hitch Adapter to Swing-Away positioned properly according to the application's Hitch Height. [*Figure 25-2*]

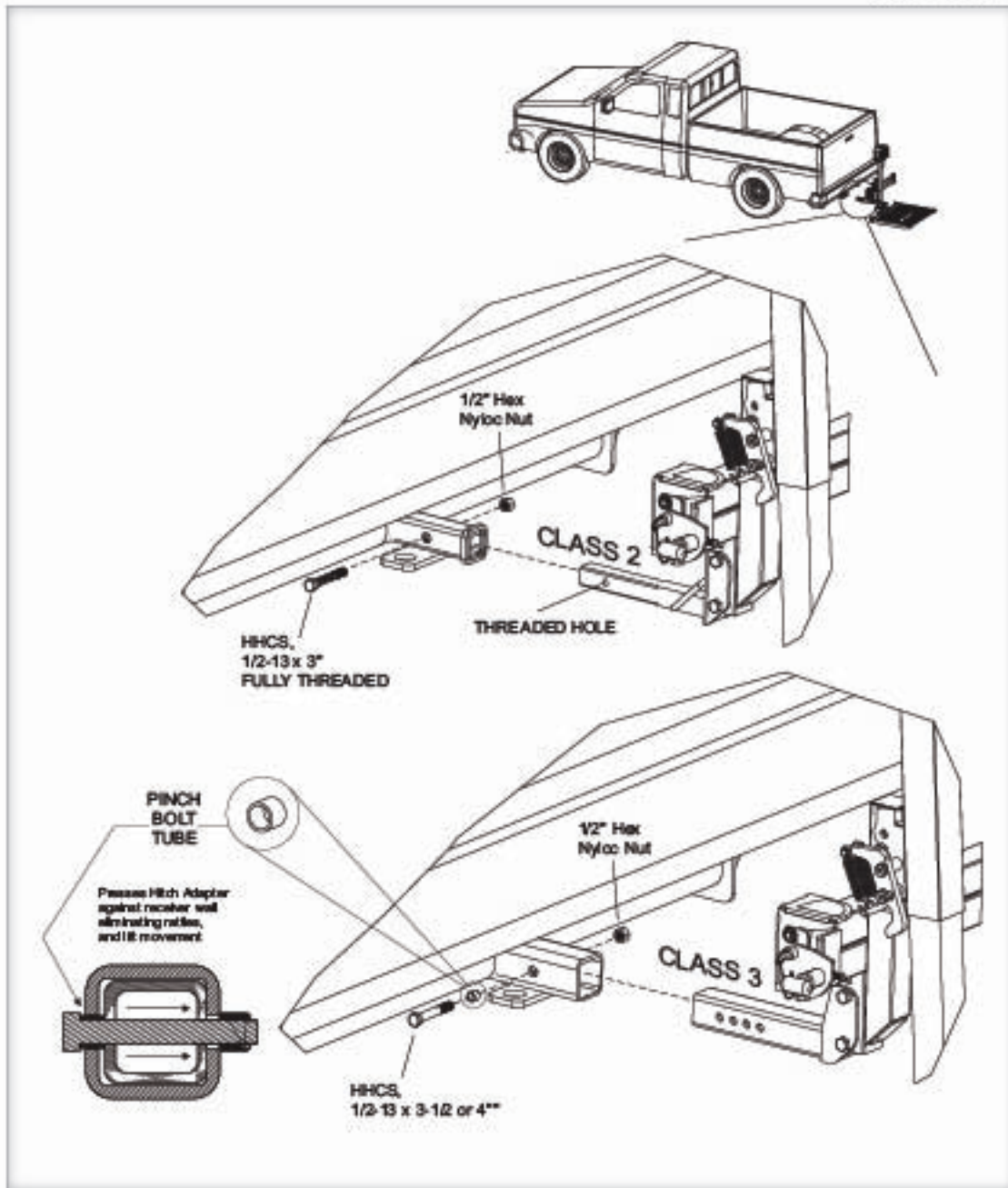
Attach Swing-Away to lift. Do NOT over-tighten.

NOTE: The Swing-Away replaces the hitch post.

**2. Slide Hitch Adapter
Into vehicle's hitch receiver.**

[Figure 26-1] Fasten Adapter
according to hitch class.

Figure 26-1



AL030 POWER TOTE INSTALLATION WITH BALL MOUNT HITCH ADAPTER

1. Install bumper mount or flat bar.

[Figure 27-1]

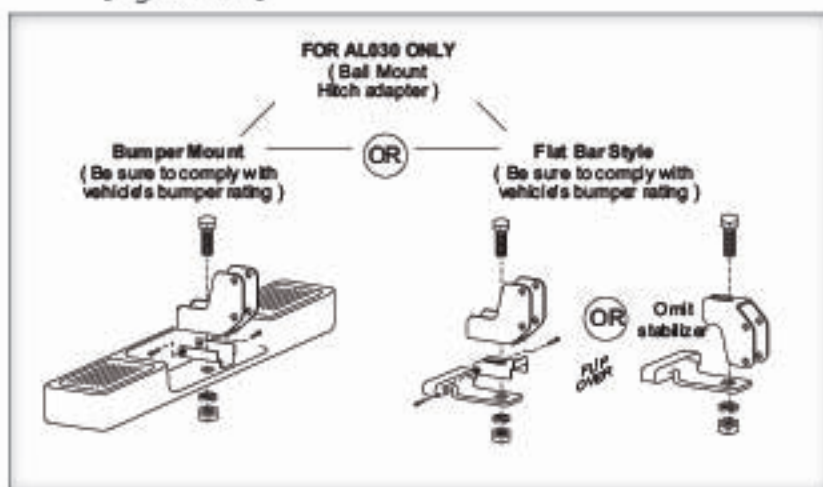


Figure 27-1

2. Install hitch post assembly [Figure 27-2]

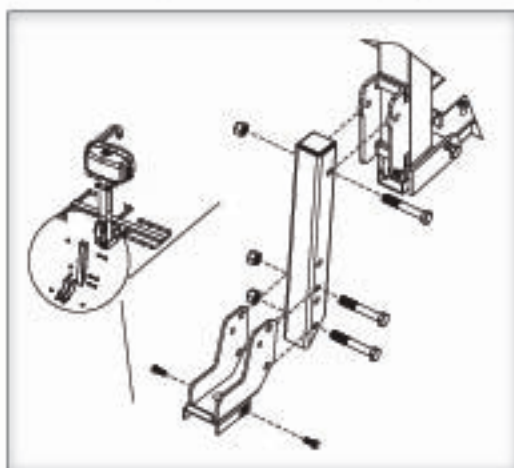
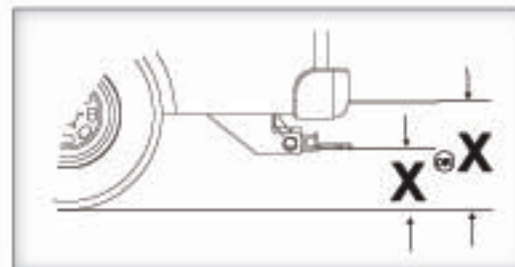


Figure 27-2

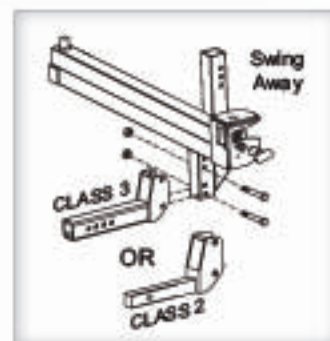


WARNING! Do not attempt to mount up from under Flat Bar

3. Adjust for bumper height. [Figure 27-3 & 27-4]



Only class 2 or 3 adapters can be used with Swing-Away. Refer to installation with Swing-Away for mounting orientation, page 23.



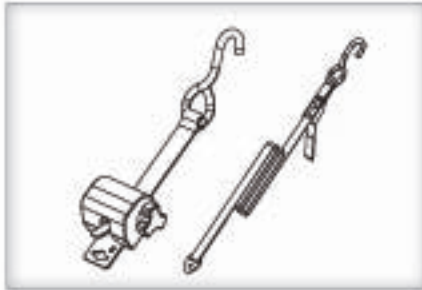


Figure 28-1

CHAIR PREPARATION

A lift with four securement straps offers two options for attaching strap hooks to the chair, Anchor Plate or U-Bolt Kit. The lift includes both sets of options. [Figure 28-1]

ANCHOR PLATE

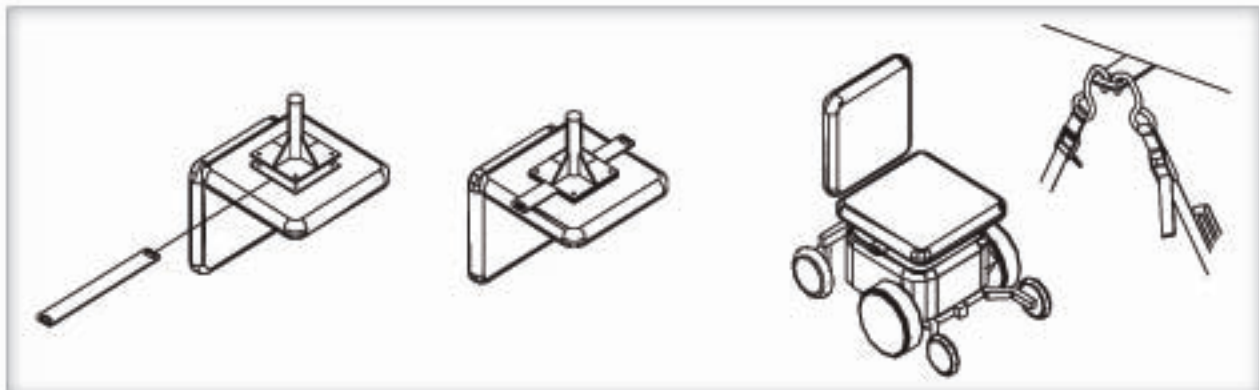
The Anchor Plate is a 20" long flat plate with a slot in each end. It attaches to the bottom of any chair or scooter that has a center seat post. [Figure 28-2]

The Anchor Plate should extend about 1-1/2" out from the side of the cushion. The user can attach the strap hooks to the Anchor Plate in order to secure the chair to the lift.

INSTALLING THE ANCHOR PLATE

1. Remove the seat from the chair.
2. Loosen the screws that attach the plate of the bottom of the seat. Allow enough room to slide the Anchor Plate between the seat and the seat plate.
3. Attach the Anchor Plate in the center of the seat plate with the holes on each end extending evenly on each side of the seat.
4. Re-tighten the screws that hold the seat plate to the bottom of the seat.
5. Replace the seat on the chair. [Figure 28-2]

Figure 28-2



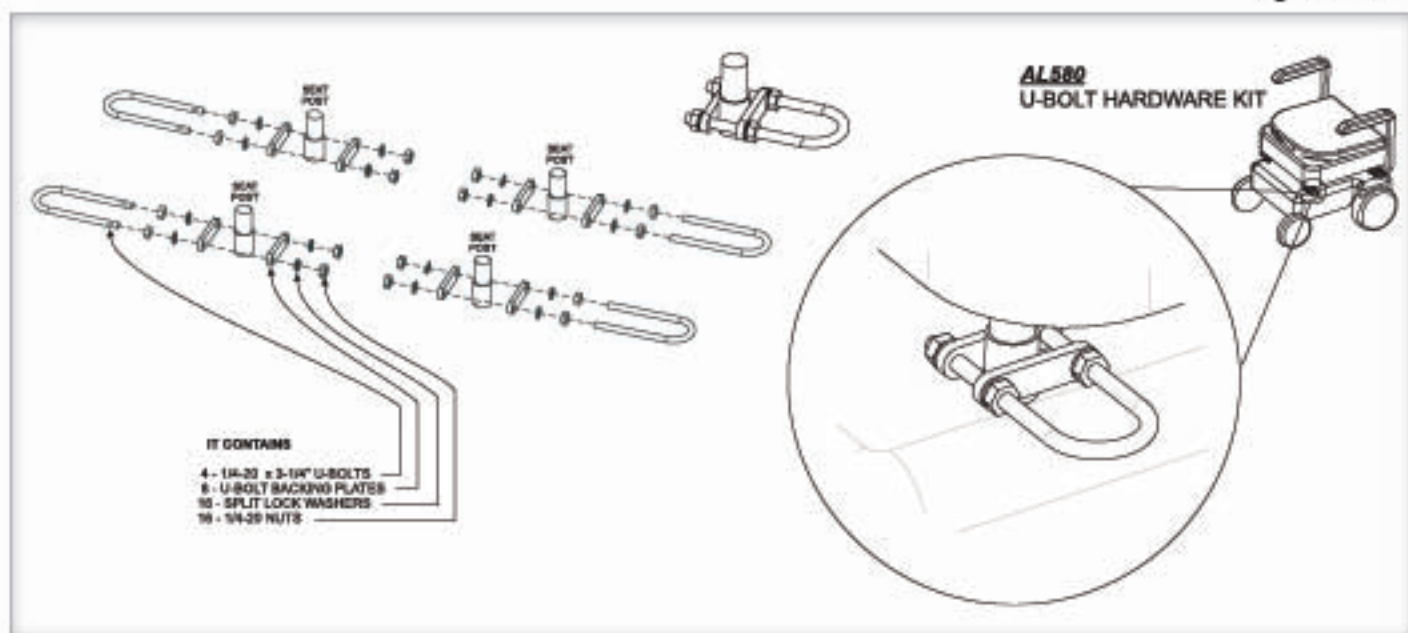
Installing U-Bolt Hardware Kit

The U-bolts are used with power chairs or scooters that do not have a center seat post. On this type chair, the seat is normally attached to a tubular frame. Install the U-bolts, two on each side, to the frame as shown. [Figure 29-1]

Ensure that the loop extends to the outside of the chair so the user can attach the strap hooks.

Each chair is slightly different so the U-bolt placement will differ among models and manufacturers. Place the U-bolts towards the center of the seat if possible. Due to different seat types, you may be forced to install the U-bolts more towards the front or rear of the seat, but we recommend attachment as close as possible to the center of the seat.

Figure 29-1



AL015, AL100, AL100HD, AL160 LIFT ADJUSTMENTS

SETTING HOLD-DOWN FOOT HEIGHT

1. With the platform on the ground, drive the scooter onto the platform, from left (driver's side) to right, until the rear wheels are positioned in the rear wheel spreader bar assembly. Stop when the rear tires contact the ramp of the platform.

2. Raise the platform until you hear the motor clutch, which indicates the top of travel.

3. Loosen both nuts on the hold-down arm and raise or lower the foot to contact the scooter's deck. *[Figure 30-1]*

4. Lower the platform about 1 to 2 inches.

5. Lower the foot once again to the scooter's deck.

6. Raise the platform. Verify the hold-down foot places adequate pressure on the scooter.

continued



WARNING! In some cases, you may need to cut the threaded stud of the hold-down foot to avoid contact with the motor cover. Only cut as much stud as necessary to avoid contact with the motor cover, leaving enough stud protruding through the washer and nut to hold securely. File rough edges and add rubber cap to avoid stud corrosion.

- On some scooters, it may be necessary to temporarily move the steering tiller forward to clear the hold-down arm as it lowers into the lock-down position.

- Some scooters have pneumatic (air inflated) tires. If your scooter has this type tire, be sure the tires are properly inflated. Improper inflation will change the deck height of the scooter and affect the amount of clamping force the hold-down arm places on the scooter. The scooter can fall off the lift if not properly secured.

- Be sure to instruct the end user to avoid entering steep driveways straight on. Enter and leave at an angle to the street so that the lift platform does not drag on the ground



CAUTION!

Drive the scooter off in REVERSE. When the scooter is clear of the platform, raise the platform by pushing up on the UP/DOWN switch.

AL015, AL100, AL100HD, AL160 LIFT ADJUSTMENTS (Con't)

NOTE: When adjusting the leg down, ensure that the top of the threaded rod still protrudes from the top of the pivot tube. [Figure 31-1]

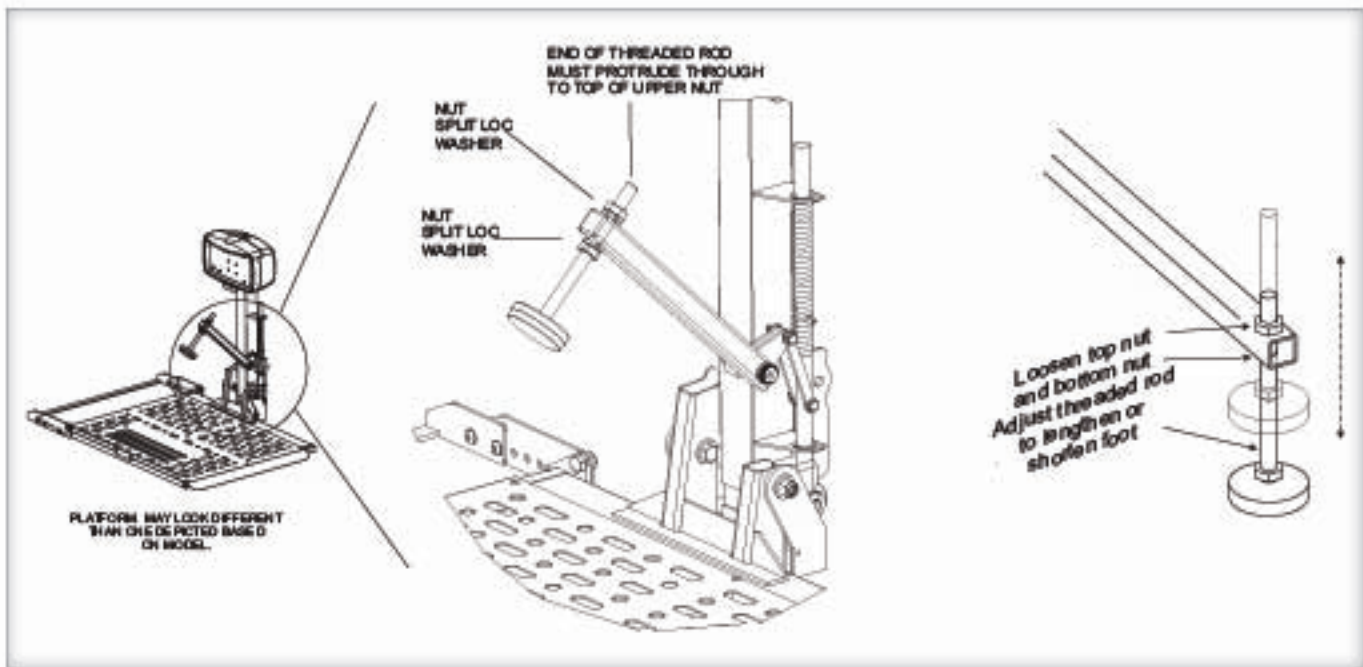


Figure 31-1

7. Tighten the jam nut to lock it in place, when the foot is positioned properly.

When the lift is properly adjusted, lower the platform to the ground and raise it back to the transporting position. Repeat this several times to ensure all parts operate properly and that the scooter is well secured.

Next, remove the scooter from the lift and, using the toggle switch, cycle the lift completely up and down to make sure that all parts are in good working order and the lift folds when it is empty.

AL010/050 & AL030 MICRO LIFT ADJUSTMENT

TENSIONING WASHERS

The **AL010/050** and **AL030** micro lifts contain tensioning washers on their manual folding hinge points. The force required to move these parts depends on the tension of these washers. The tension also dampens the movement and allows a controlled operation of the folding of platform or hold-down arm.

To adjust, tighten or loosen the bolt and nut located at the pivot point. [Figure 32-1]

Adjusting the **AL030** Hold-Down Arm

The **AL30's** hold-down arm height requires adjustment to properly clamp a specific wheelchair to the platform.

1. Position the folded wheelchair on the platform, being certain the large rear wheels fall into the cradles of the platform.
2. Loosen the two bolts and nuts located in [Figure 32-2]. Allow the hold-down arm to rest on the padded armrests.
3. Remove chair, and allow the arm bracket to fall approximately 1 inch.
4. Tighten bolts and nuts.
5. Replace chair on platform and test the hold-down arm. Chair should be secure and not moveable in any direction. Adjust as needed.

Figure 32-1

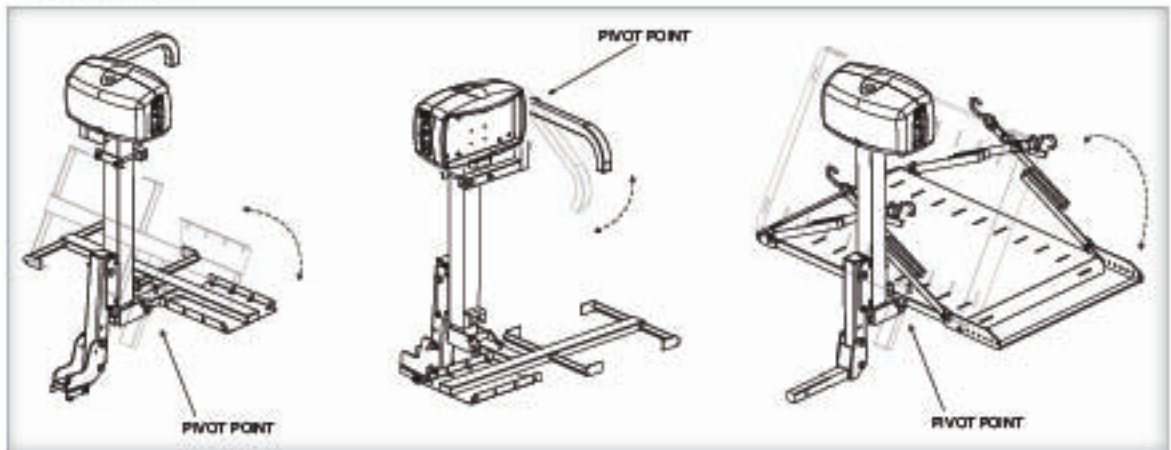
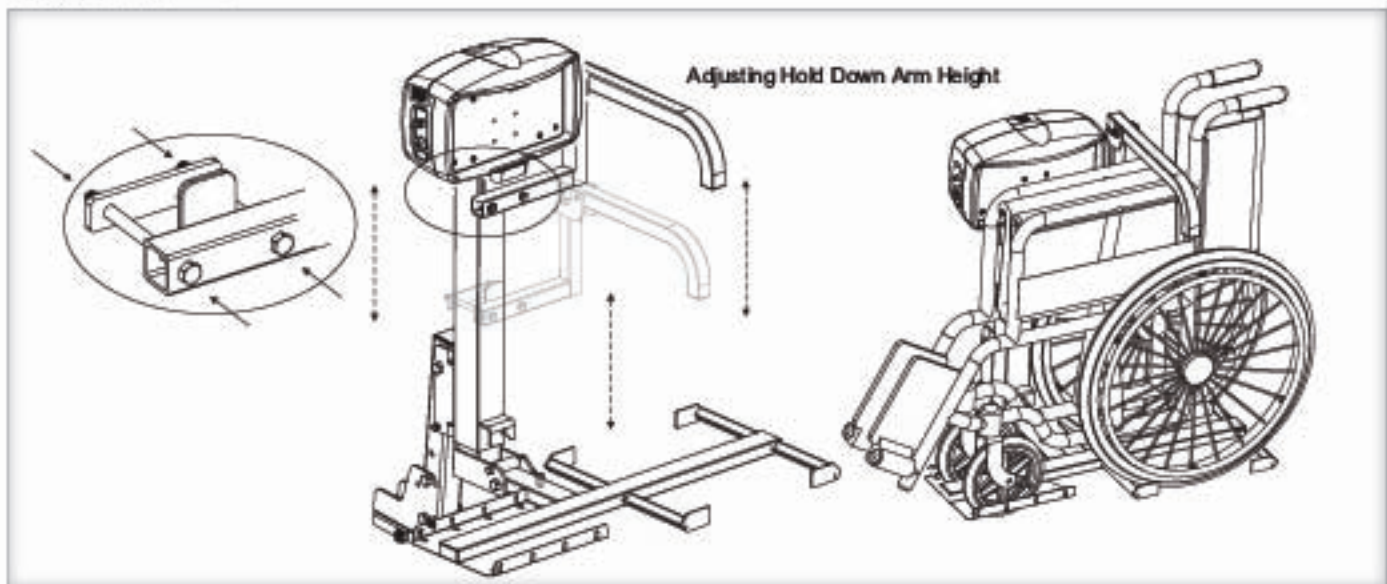


Figure 32-2



AL560 & AL560XL PLATFORM ADJUSTMENTS

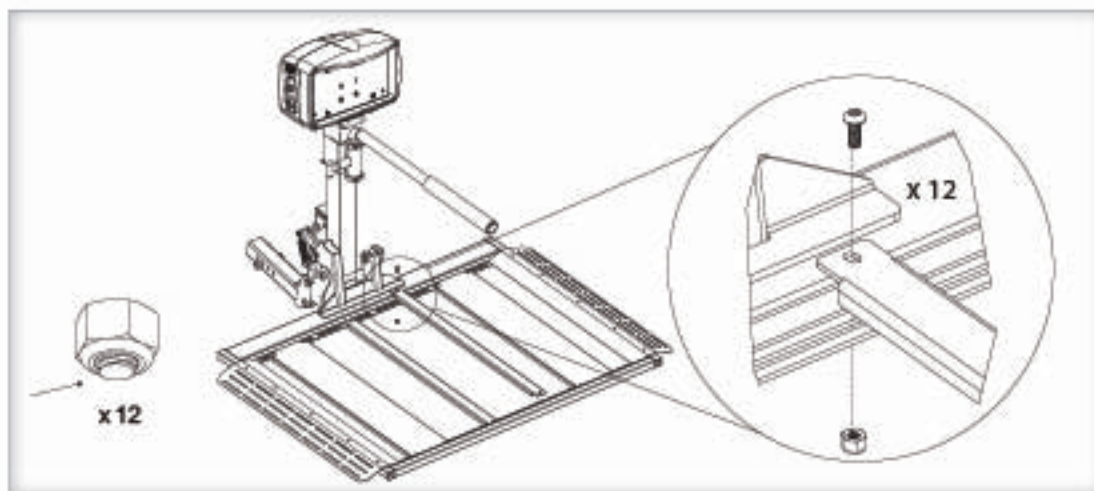


Figure 33-1

Thread must protrude out of top of nylon portion of all nuts.



CAUTION!

For adjustment, ALL AL560 platform components are loose. You MUST tighten these screws and nuts before use. [Figure 33-1]

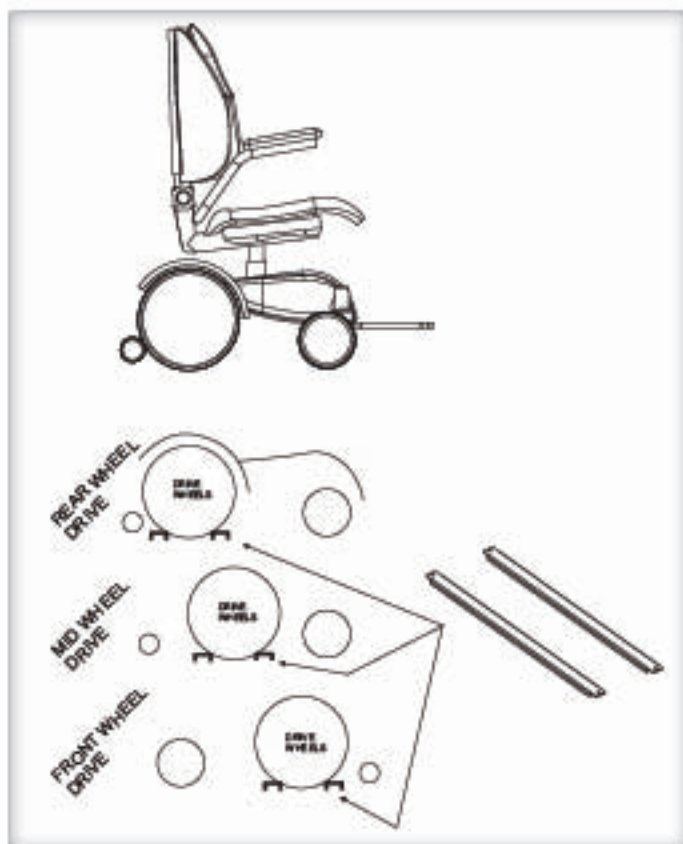


Figure 33-2

1. Estimate the chair's center position depending on driver's side or passenger's side entry preference. Locate the drive wheel's position. [Figure 33-2] Adjust the two main cradle positions to match. Capture smaller wheels on the two larger skins.

2. Drive chair onto platform. Verify chair is secure and does not move in any direction once positioned between the skins and cradles.

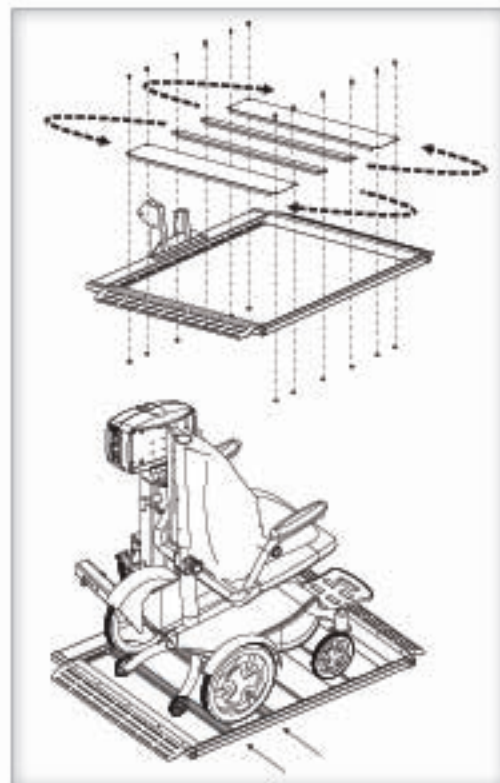


Figure 33-3



CAUTION!

Rearrange platform skins and cradle as needed to capture the drive wheels. [Figure 33-3]



Figure 34-1

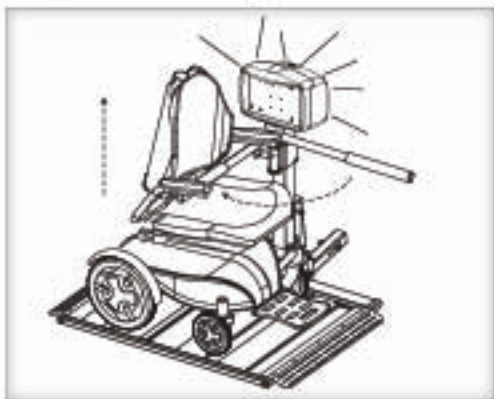


Figure 34-2

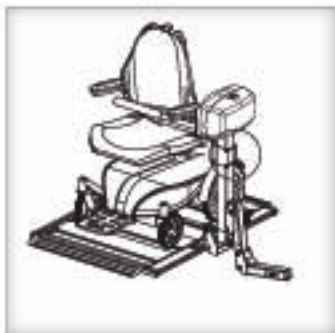


Figure 34-3

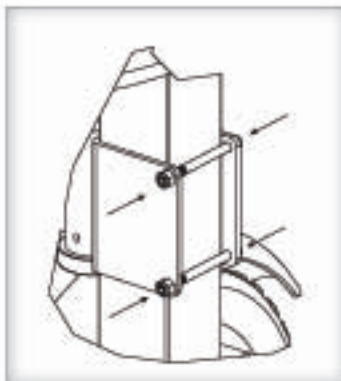
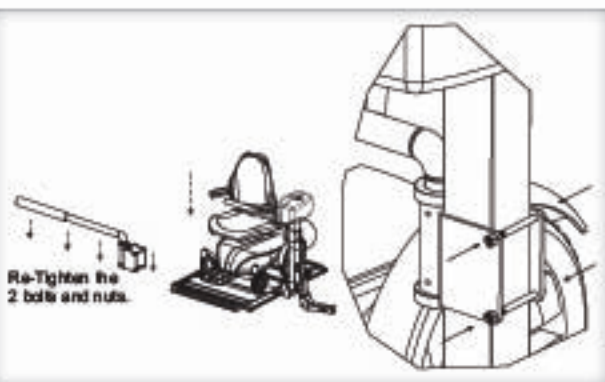
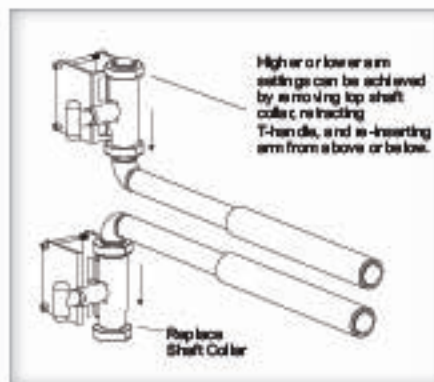


Figure 34-4



Re-Tighten the 2 bolts and nuts.

Figure 34-5



Higher or lower arm settings can be achieved by moving top shaft collar, retracting T-handle, and re-inserting arm from above or below.

Replace Shaft Collar

Figure 34-6

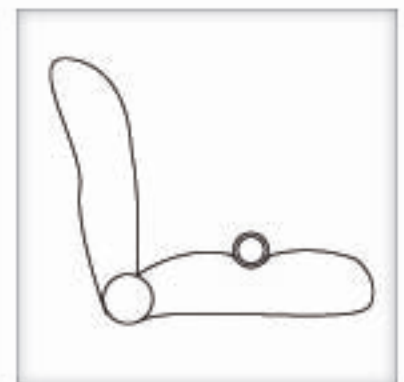


Figure 34-7

AL560 & AL580 SERIES HOLD-DOWN ARM ADJUSTMENT

1. Drive chair onto platform after cradles have been adjusted. (See prior page.) [Figure 34-1]
2. Raise platform to top of travel until you hear the clutch. [Figure 34-2]
3. Loosen the two bolts and nuts in back of the vertical tube. [Figure 34-3 and 34-4] Allow arm assembly to lower until the arm contacts the seat.
4. Lower the platform approximately 2" to 3." Allow arm to drop with seat. Re-tighten the two bolts and nuts. [Figure 34-5]
5. Run lift up until top of travel, when you hear the clutch.

NOTE: Higher or lower arm settings can be achieved by removing top shaft collar, retracting T-handle, and re-inserting arm from above or below. [Figure 34-6]

This method allows the T-handle to remain on the same side as the key and toggle switches

OR

Entire assembly can be flipped IF desired for opposite T-handle location.



CAUTION!

Verify that the hold-down arm produces enough pressure on the seat to hold the power chair firmly to the platform. The seat should be somewhat indented by the arm. [Figure 34-7]

AL570 & AL570XL CHAIR PLOW INSTALLATION



CAUTION!

Use extreme care in drilling to avoid electronics or wires!



The plow attaches to the underside of the power chair, enabling automatic locking and unlocking of the chair to the platform of the lift.

Due to the many different makes and models of power chairs, a variety of plow arrangements exist [Figure 35-1] to ensure the chair will be compatible with the Dock 'N' Lock system.

Read, understand, and follow the instructions provided with your specific plow.

We highly recommend installing the Plow under the chair prior to adjusting the heights of the Dock 'N' Lock on the platform [Figure 35-2]. This ensures the guidelines on the next page are accurate.

If you need additional holes to install the plow, be sure to remove the power chair's batteries and inspect the back side of the tray. Avoid drilling electronics or wires, damaging the chair.

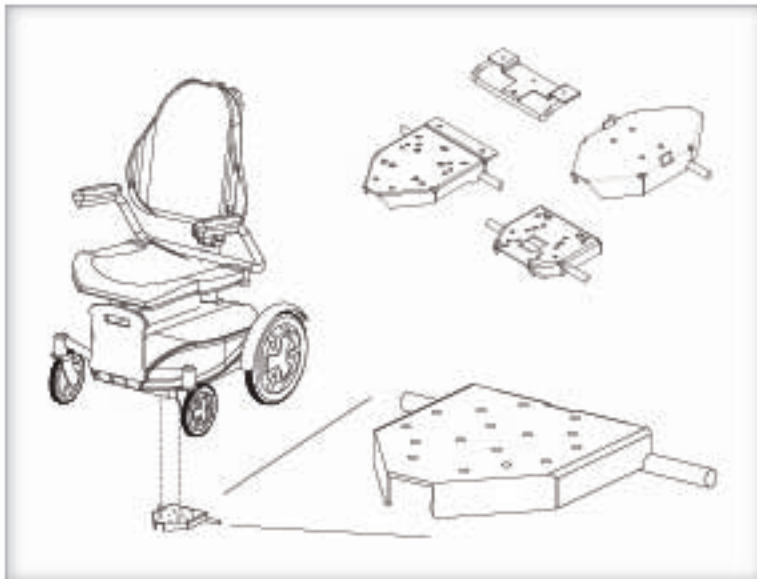


Figure 35-1

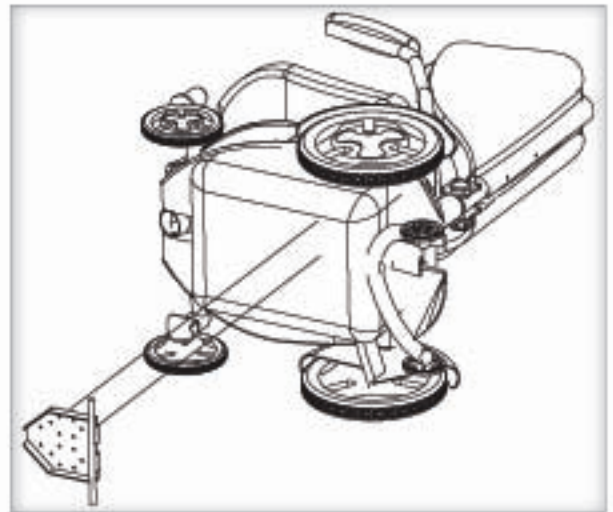


Figure 35-2

AL570 & AL570XL DOCK AND LOCK INSTALLATION

1. Measure Distance.

When the plow is attached to the chair (based on instructions provided with the plow), measure the distance from the ground to the approximate center of the ½" pin of the plow.

[Figure 36-2]

Be sure the chair is on a hard, level surface when obtaining this measurement.

The **AL570** and **AL570XL** are shipped from the factory with the Dock 'N' Lock system attached directly to the platform. Subtract 1-1/4" from the measurement taken to the right, and use the appropriate number and combinations of spacers to raise to Dock and Lock to match the chair. [Figure 36-1]

Example: For AL570, if the chair's pin-to-ground measurement is 2.00" then subtract 1-1/4."

To prepare the need for a total of ¾" of spacers, use a ¼" spacer and a ½" with each bolt under the system.

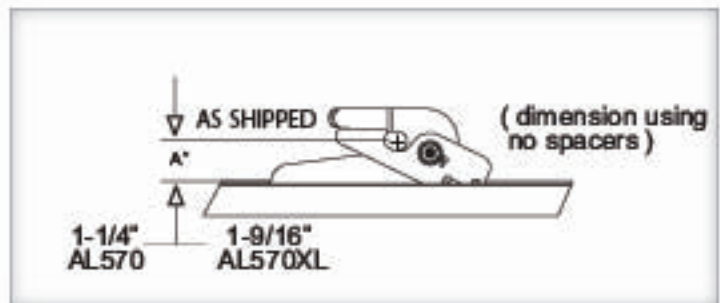


Figure 36-1

X" minus A' = sum of spacers to use [Figure 32-2]

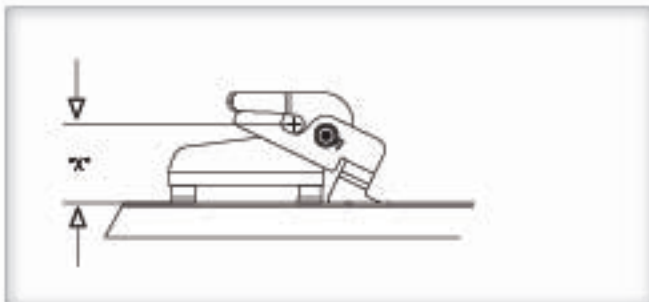


Figure 36-2

2. Remove Dock 'N' Lock Bolts.

Using a 9/16" socket and wrench, remove bolts from Dock and Lock. Retain nylock nuts for reassembly. [Figure 36-3]

continued

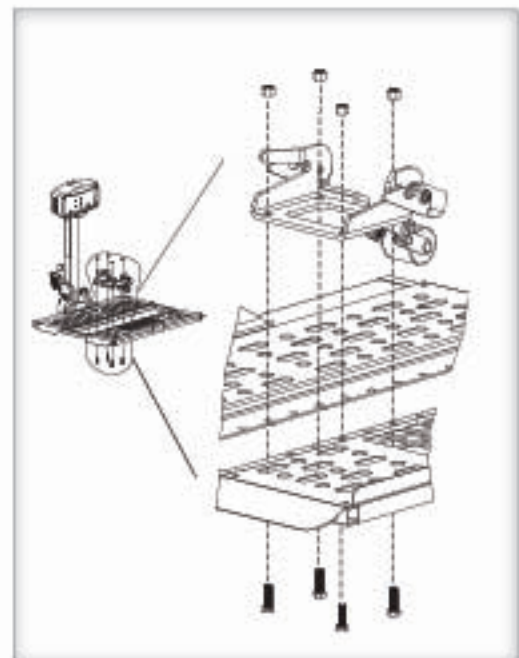


Figure 36-3

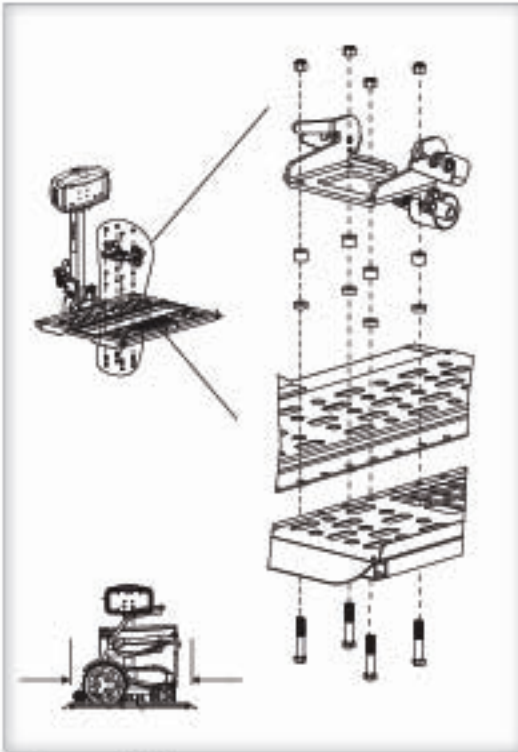


Figure 37-1

3. Reassemble Dock 'N' Lock. Select the holes that will center the chair width-wise onto the platform. Use spacers as required to match the height of the plow on the chair. [Figure 37-1]

Be sure to use bolts that are long enough for the bolt's end to protrude through the upper nylon portion of nut – but not so long that the bolts interfere with the plow. [Figure 37-2]

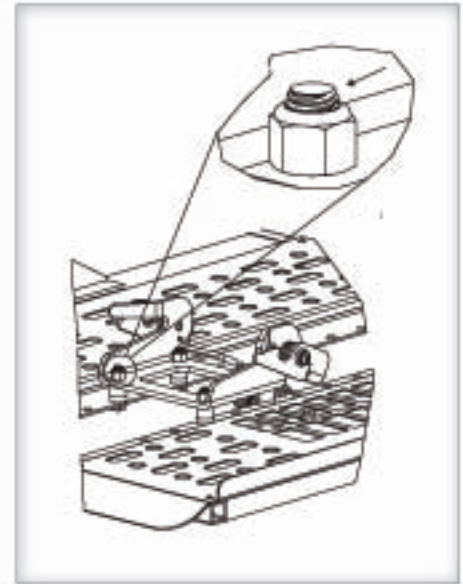


Figure 37-2

4. Test Chair Locking.

Drive chair onto the platform. Test its locking on the platform. Verify that the plow's pin engages the Dock and Lock system. Adjust as needed. [Figure 37-3]

Raise platform to engage lock and test the chair to ensure that it is secure in all directions.

If Dock and Lock station does not fully retract with platform on the ground, change to longer linkage as shown. [Figure 37-4]

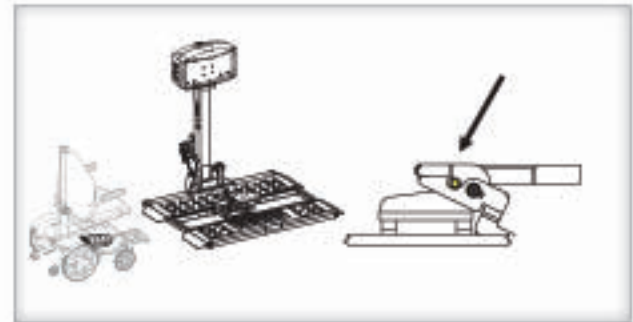


Figure 37-3

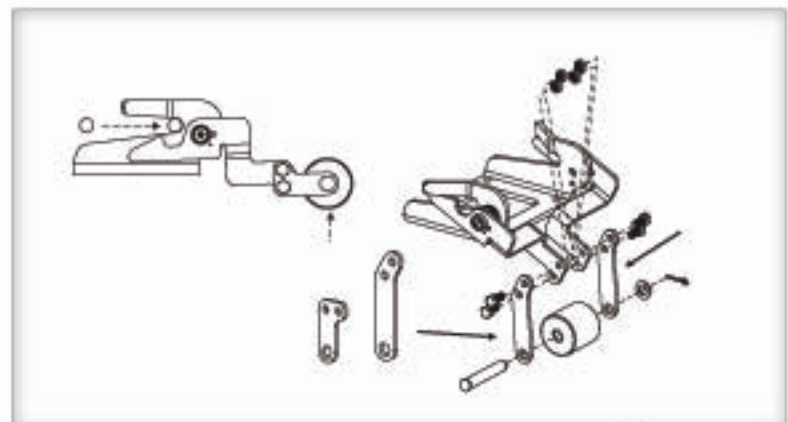


Figure 37-4

TROUBLESHOOTING

DEALER ONLY SECTION

The following procedures are reserved for the approved installer/dealer. They should not be attempted by anyone without proper knowledge of automotive electrical circuitry.

Be careful when troubleshooting with voltage meter. The instruments will detect voltage but may not indicate a tear or poor connection in the wiring.

It may give a false indication since it will only indicate that there is some wire connection –not necessarily enough. [Figure 38-2]

It is strongly recommended that you examine both voltage and current, or isolate sections of the lift wiring using process of elimination with a known good/fully charged 12V automotive battery or known good/fully charged power chair/scooter battery.

PROBLEM

- Lift does not operate.
- Lift operates slowly or intermittently

CAUSE

Bad electrical connection(s) / Circuit breaker

SOLUTION

Check / clean all connections that might be loose or dirty. The lift motor requires quality electrical connections to operate at full capacity; any break in the wiring will slow down the motor and it will deteriorate prematurely.

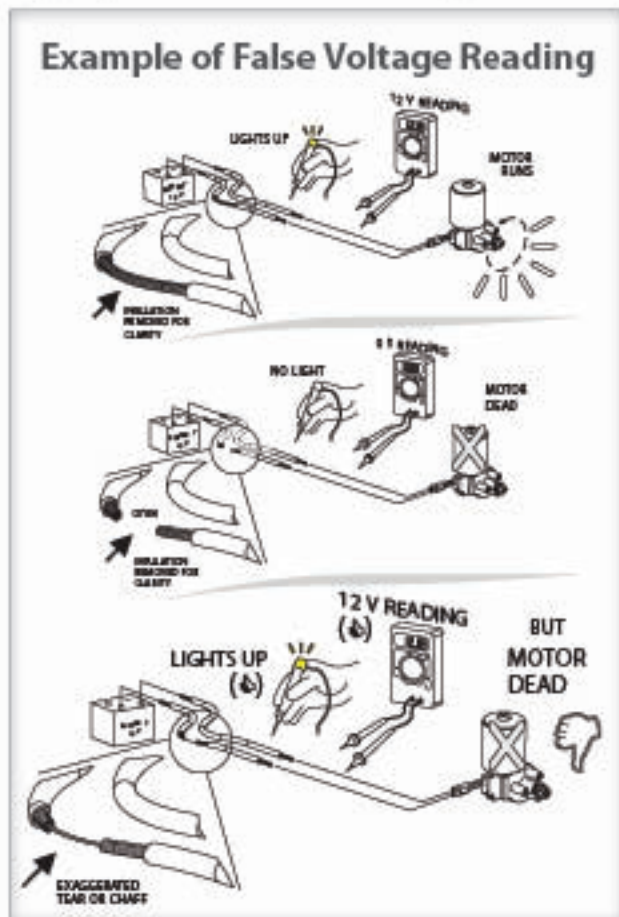
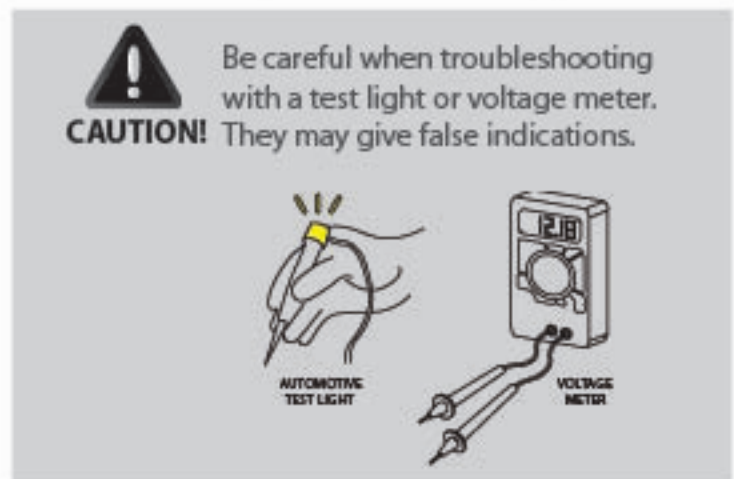


Figure 38-2

Inspect the full length of the wiring harness to ensure the insulation is not torn. The lift's vehicle power harness running through or under the vehicle is subject to road debris and rubbing against the vehicle's frame which can cause a short.

Verify the circuit breaker. The circuit breaker is located about 6" from the connections to the vehicle's battery. The breaker will self-reset if overloaded; however, verify (with Ohm meter or test light) that the breaker is functioning. Or replace it with a new/known-good circuit breaker and perform the following tests.



PROBLEM

License plate light does not work.

CAUSE

Four-prong connector is not wired.

SOLUTION

The license plate light runs from the four-prong trailer plug located on the vehicle harness that powers the lift. Most hitch installers will install this type of wiring when the hitch is installed. If no such plug exists, it may be wired directly to a tail light of license plate light. (Brown wire only (+)).

PROBLEM

A ratcheting sound occurs when the lift is all the way up or down.

CAUSE

Actuator clutch

SOLUTION

In the UP direction, the ratcheting sound indicates normal overload protection and **MUST** be heard since it indicates platform is all the way up and that the chair/platform is secure.

**CAUTION!**

Do NOT allow the ratcheting as the lift goes **DOWN**. Only lower the platform level to the ground level. **Do NOT** begin to raise the car with the lift; it can damage the lift.

PROBLEM

Extra length of wire leads to the lift motor

CAUSE

Wire was provided for optional Swing-Away

SOLUTION

The extra wire is provided in case a Swing-Away option is used with the lift. If a Swing-Away is not installed, coil the extra wire and zip-tie it to the frame, out of the way of any moving parts. We recommend leaving the extra wire in case a Swing-Away is added at a later time.

PROBLEM

Lift does not reach the ground

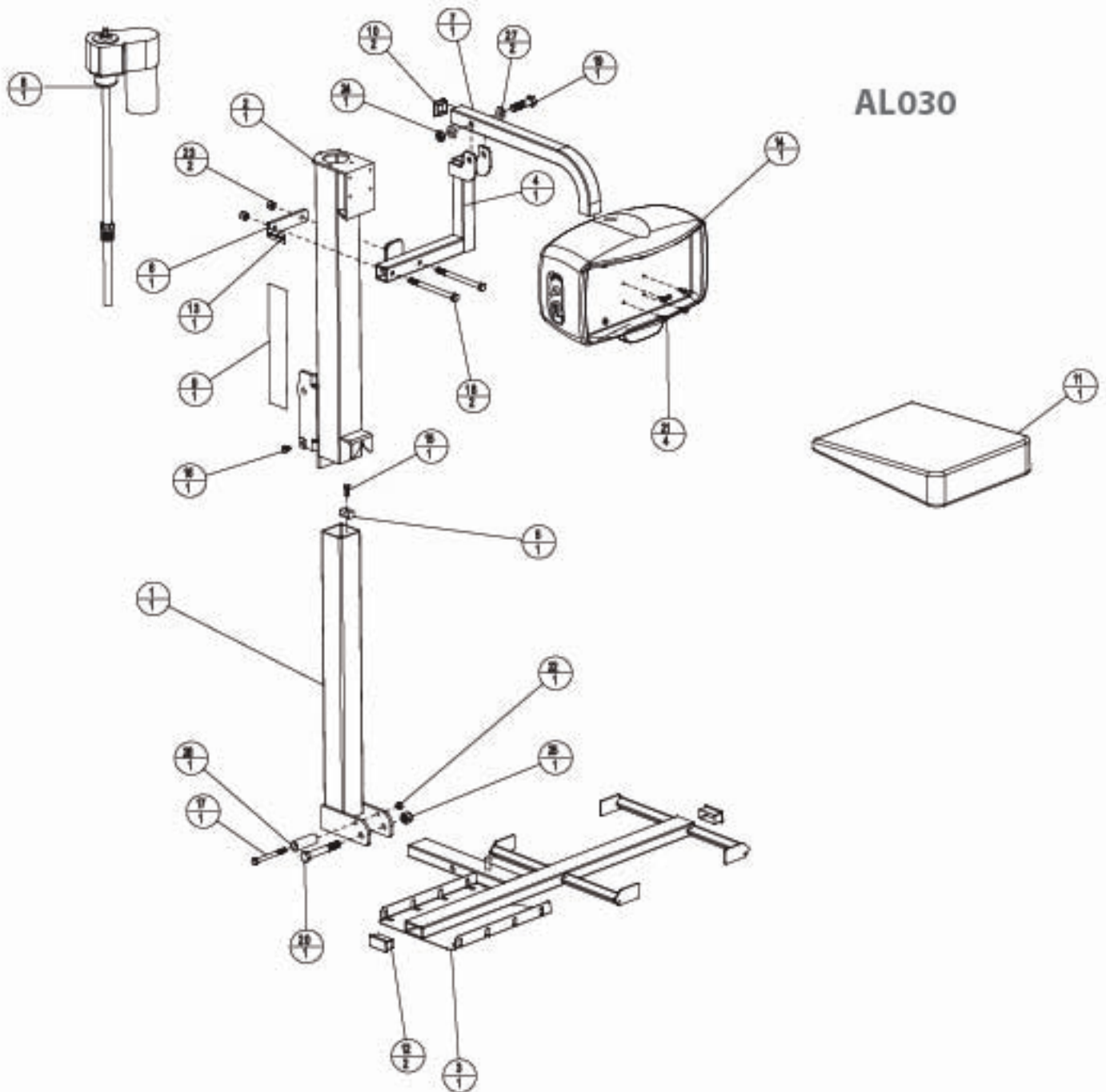
CAUSE

Hitch adapter installation.

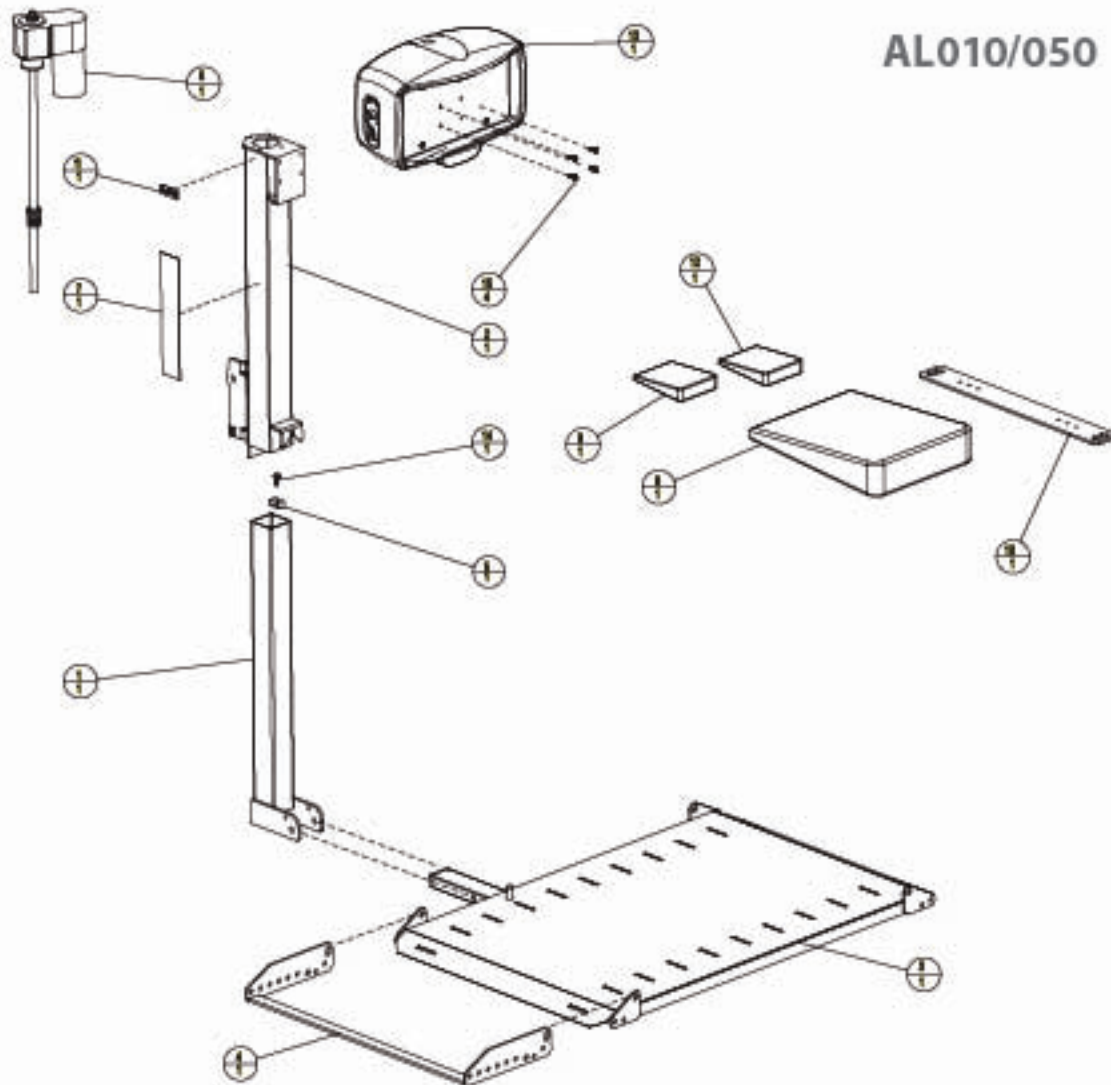
SOLUTION

Check the attachment of the hitch adapter to the hitch post on the back of the lift. (See installation page 21 to 25.) The normal range of lift operation is 5" to 16" to the bottom of the hitch receiver of the vehicle. Any higher vehicles will require a different hitch adapter. (See Hitch Adapter section of this manual.)

Exploded Views SECTION 2 : INSTALLER

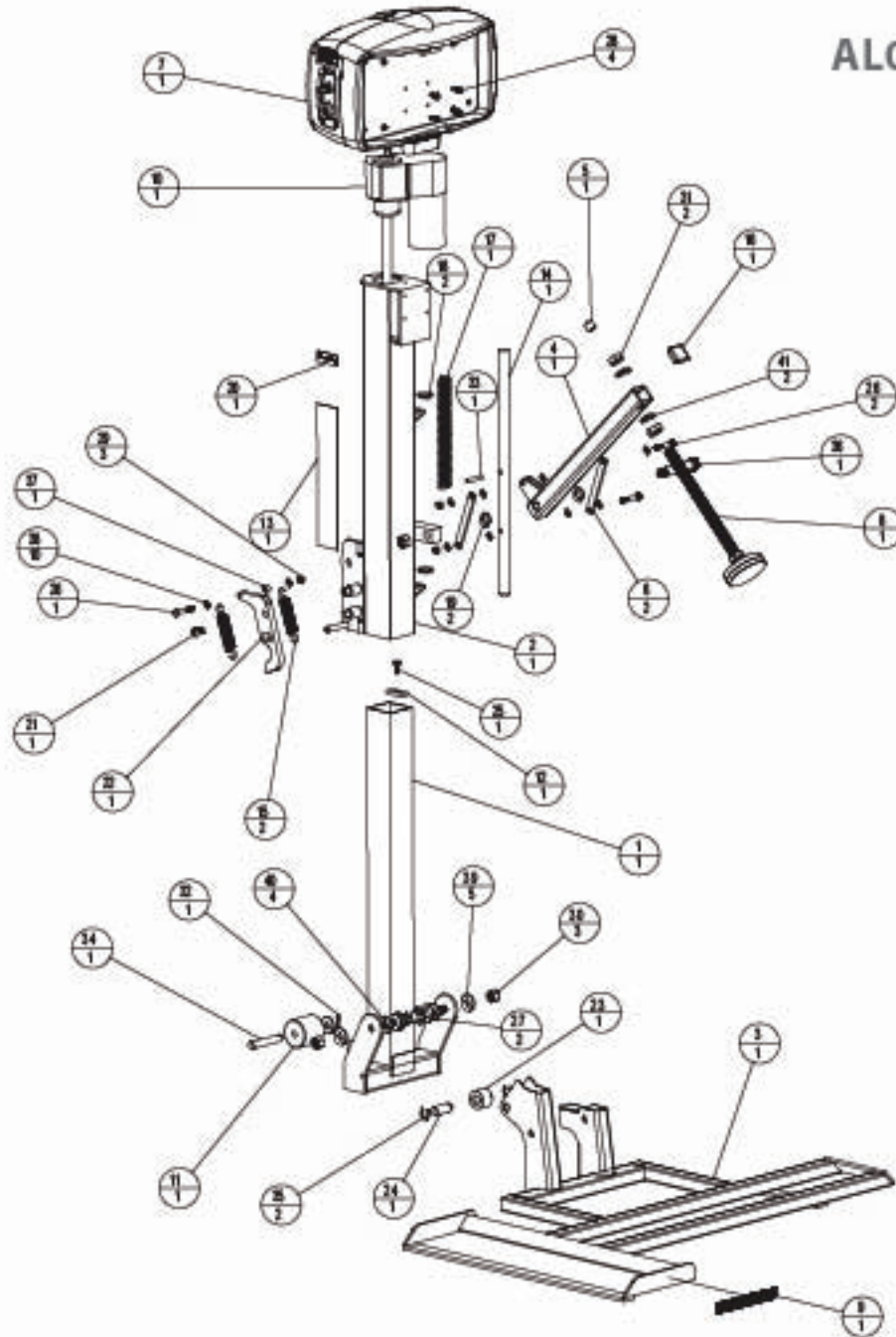


ASSEMBLY PARTS				ASSEMBLY PARTS			
ITEM	QTY	PART NO.	DESCRIPTION	ITEM	QTY	PART NO.	DESCRIPTION
1	1	20-200-C	MAST TUBE	6	1	WCSA_20-04_0_MP2	WCSA_20-04_0_MP2
2	1	20-200-C	CONTROLER	8	1	WCSA_20-04_0_B2	WCSA_20-04_0_B2
3	1	20-200-C	PLATFORM	9	1	WCSA_20-10_0_B2	WCSA_20-10_0_B2
4	1	20-200-C	MOUNTING	10	2	WCSA_20-10_0_B2	WCSA_20-10_0_B2
5	1	20-200-A	LOCKING TUB- L.C.A.D.S. ACTUATOR	11	1	WCSA_20-10_0_B2	WCSA_20-10_0_B2
6	1	20-200-C	BLINDSP LATE	20	1	WCSA_20-10_0_B2	WCSA_20-10_0_B2
7	1	20-200-C	SOLENOID ARM	21	4	WCSA_20-10_0_B2	WCSA_20-10_0_B2
8	1	20-200-A	L.C.A.D.S. ACTUATOR	22	1	WCSA_20-10_0_B2	WCSA_20-10_0_B2
9	1	AL030M	STOCKING COVER LEFT	23	2	WCSA_20-10_0_B2	WCSA_20-10_0_B2
10	2	AL030M	WCSA_20-10_0_B2	24	1	WCSA_20-10_0_B2	WCSA_20-10_0_B2
11	1	AL030M	WCSA_20-10_0_B2	25	1	WCSA_20-10_0_B2	WCSA_20-10_0_B2
12	2	AL030M	WCSA_20-10_0_B2	26	1	WCSA_20-10_0_B2	WCSA_20-10_0_B2
13	1	AL030M	WCSA_20-10_0_B2	27	2	WCSA_20-10_0_B2	WCSA_20-10_0_B2
14	1	20-200-A	MOTOR COVER AND MAST				



ASSEMBLY PARTS			
ITEM	QTY	PART NO.	DESCRIPTION
1	1	201-2A02-C	INNER TUBE
2	1	202-2A02-C	OUTER TUBE
3	1	203-2A02-C	PLATFORM
4	1	204-2A02-C	SPREADER BAR
5	1	500-2A02-A	LOCKING TAB - L.C. ACME ACTUATOR
6	1	600-2A02-A	L.C. ACME ACTUATOR
7	1	ALA10095	STICKER, OUTSIDE LIFT
8	1	ALA180	HARDWARE RACK
9	1	ALA260	U-BOLT HARDWARE KIT
10	1	ALA68040C	ANCHOR PLATE
11	1	ALA9995	LABEL, SERIAL NUMBER
12	1	H00-1A03-A	HARDWARE RACK
13	1	200-2A01-A	MOTOR COVER ASSEMBLY
14	1	HHCS0_25-30-0_25-NP-Z	HEX HEAD, 1/4-20 x 0.75, ZP
15	4	HWS-14-0_25-Z	HEX WASHER, #14 SELF DRILL, 0.75, ZP

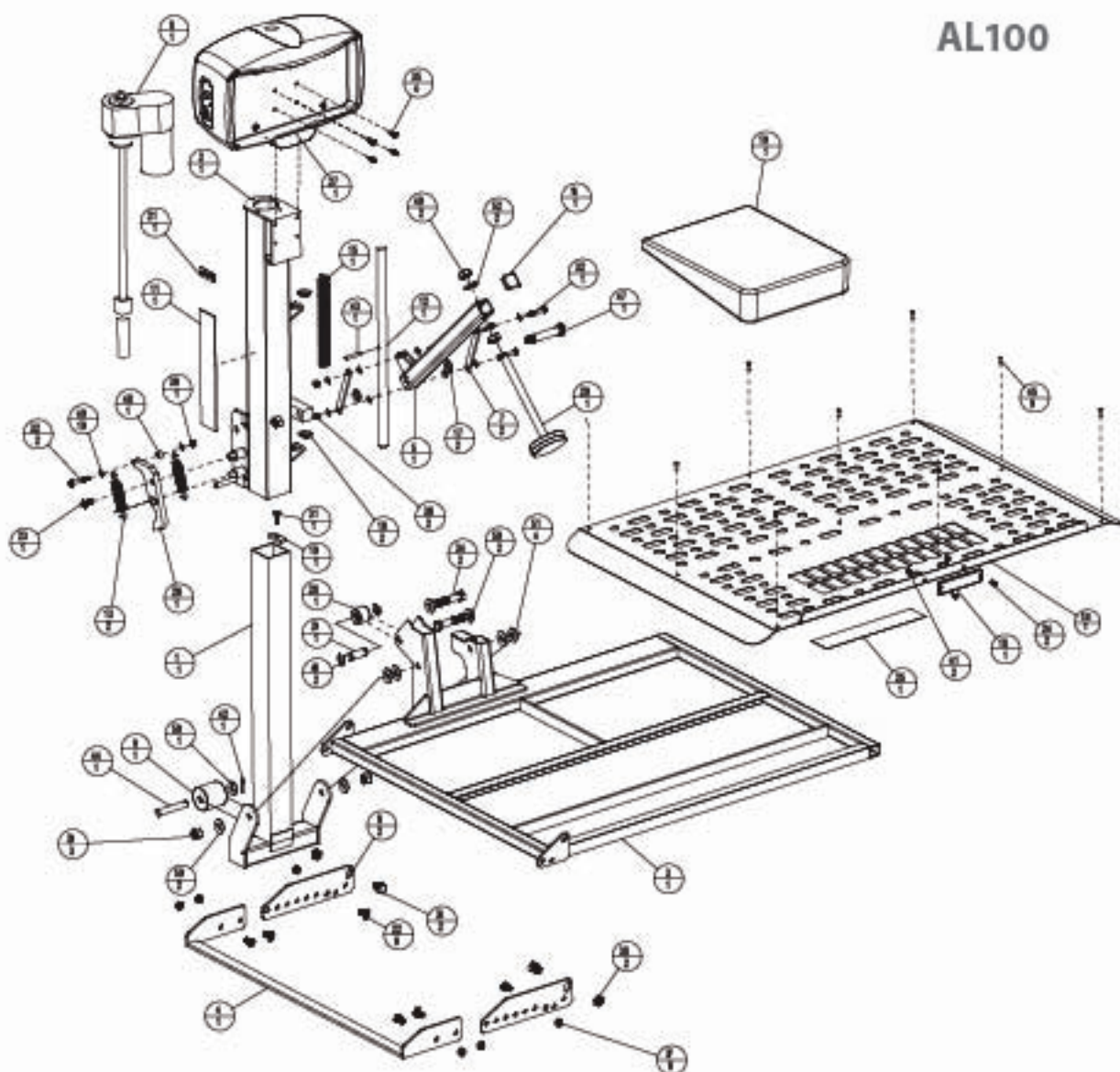
AL015



ITEM	QTY	PART NO.	ASSEMBLY PARTS	DESCRIPTION
1	1	3012-06-C		INNER TUBE
2	1	3012-06-C		OUTER TUBE
3	1	3012-06-C		GOODS PLATFORM
4	1	3012-06-C		HOLD DOWN ARM
5	1	4012-06-A		WHEEL CAP FOR 10 OD STD
6	2	3012-06-C		WHL, LHM, 30"
7	1	3012-06-H		MOTOR COVER, ASSEMBLY OUT OF SUPPLY
8	1	3012-06-A		LONG HOLD DOWN FOOT
9	1	3012-06-A		2 1/2" AMPROD REFLECTIVE STRIP
10	1	ALA1000SD		LOAD ENCL LOCK
11	1	ALA1000		ROLLER PENULTIM
12	1	ALA1000		WHL, ACT LOCK
13	1	ALA1000		STOPPER, OUT OF SUPPLY
14	1	ALA1000-F1		HOLD DOWN ARM ROD
15	2	ALA1000-S		EXTENDING SPRING
16	1	ALA1000-F1		WHEELS, 11 IN BLACK PLASTIC
17	1	ALA1000-S		COMPRESSION SPRING
18	2	ALA1000		WHEELER BEARING - 30"
19	2	ALA1000-F1		HOLD DOWN ARM WHEELER
20	1	ALA1000		WHL, 30" WHEELER

ITEM	QTY	PART NO.	ASSEMBLY PARTS	DESCRIPTION
21	1	W004-01-01-00-00-00-00		BUTTON HEAD 30-20 x 1.80 SS
22	1	W004		J-CAM
23	1	W004		ROLLER
24	1	W004		CARTRIDGE
25	1	W004-01-01-00-00-00-00		HEX HEAD 10-20 x 1.75, 3P
26	2	W004-01-01-00-00-00-00		HEX HEAD 10-20 x 1.75, 3P
27	2	W004-01-01-00-00-00-00		HEX HEAD 10-20 x 1.75, 3P
28	4	W004-01-01-00-00-00-00		HEX HEAD 10-20 x 1.75, 3P
29	2	W004-01-01-00-00-00-00		HEX HEAD 10-20 x 1.75, 3P
30	2	W004-01-01-00-00-00-00		HEX HEAD 10-20 x 1.75, 3P
31	2	W004-01-01-00-00-00-00		HEX HEAD 10-20 x 1.75, 3P
32	1	W004-01-01-00-00-00-00		HEX HEAD 10-20 x 1.75, 3P
33	1	W004-01-01-00-00-00-00		HEX HEAD 10-20 x 1.75, 3P
34	1	W004-01-01-00-00-00-00		HEX HEAD 10-20 x 1.75, 3P
35	2	W004-01-01-00-00-00-00		HEX HEAD 10-20 x 1.75, 3P
36	1	W004-01-01-00-00-00-00		HEX HEAD 10-20 x 1.75, 3P
37	1	W004-01-01-00-00-00-00		HEX HEAD 10-20 x 1.75, 3P
38	10	W004-01-01-00-00-00-00		WHEELER PLAT, 10" SS
39	1	W004-01-01-00-00-00-00		WHEELER PLAT, 10" SS
40	1	W004-01-01-00-00-00-00		WHEELER PLAT, 10" SS
41	2	W004-01-01-00-00-00-00		WHEELER PLAT, 10" SS

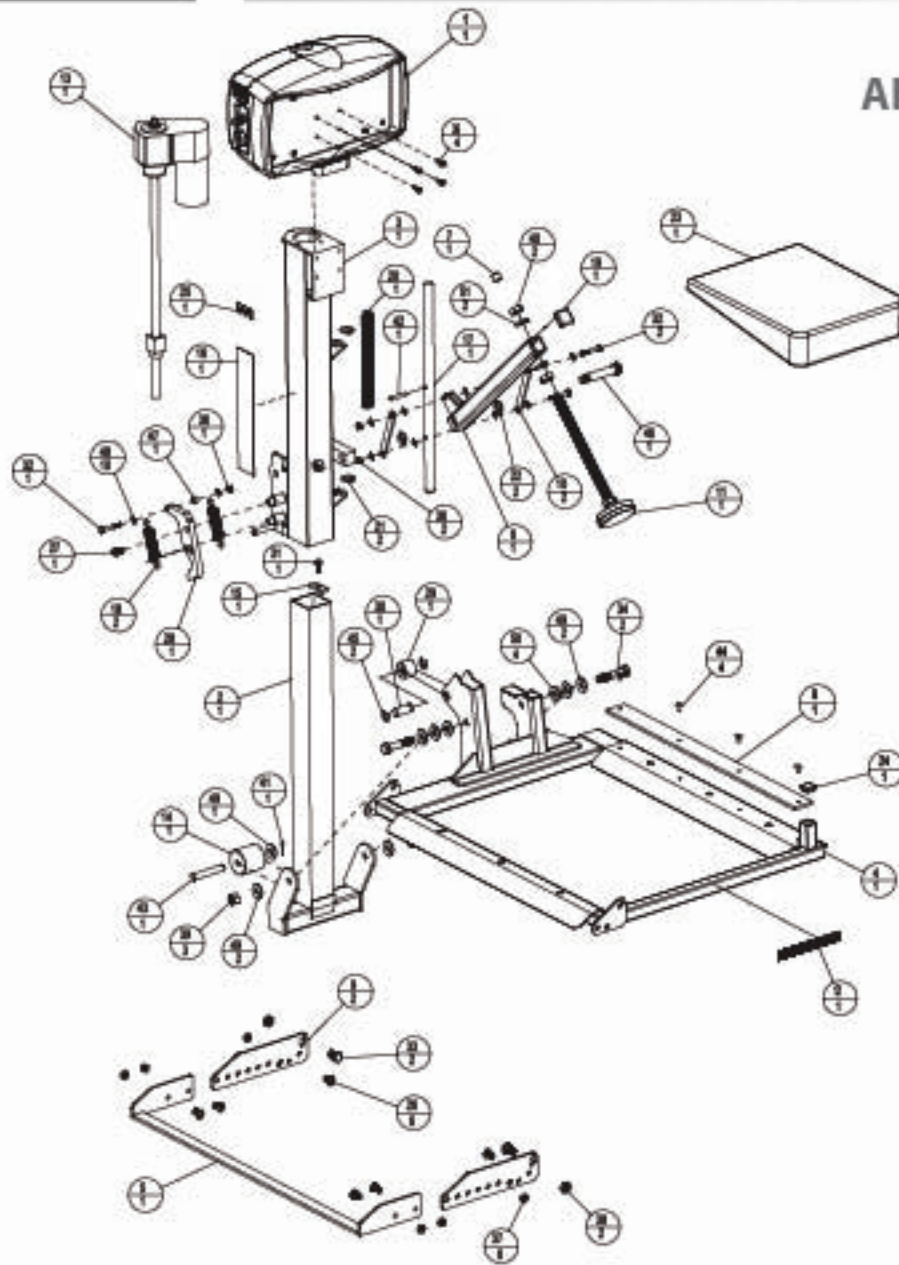
AL100



ASSEMBLY PARTS				ASSEMBLY PARTS			
ITEM	QTY	PART NO.	DESCRIPTION	ITEM	QTY	PART NO.	DESCRIPTION
1	1	3612-AM-C	INNER TUBE	37	1	363AM-A	MOTOR COVER ASSEMBLY
2	1	3622-AM-C	OUTER TUBE	38	1	HMM4	ROLLER
3	1	3632-AM-C	PLATFORM	39	1	HMM3	CLAMP RM
4	1	3642-AM-C	EXTENDED CRANKLE BAR	40	1	HMM7	ALUMINUM PLATE
5	1	3652-AM-C	HOLD DOWN ARM	41	1	HACS4_3636-4_70-APQ	HEX HEAD 1/8" x 1/8", 2P
6	3	3612-AM-C	SPREADER BAR BRACKET	42	3	HACS4_3613-1_70-2	HEX HEAD 1/8" x 1/8", 2P
7	3	3622-AM-C	MAX. LINK SWP	43	3	HACS4_3613-1_70-2	HEX HEAD 1/8" x 1/8", 2P
8	1	ALA1-BSBVS	ACTUATOR	44	3	HACS4_3613-1_80-2	HEX HEAD 1/8" x 1/8", 2P
9	1	ALA1-BSL	ROLLER PDM LAMB	45	4	HMS-16-1_70-2	HEX NUT, 1/8" SELF DRILL, 1/8", 2P
10	1	ALA1-BSR	WE. ACTUATOR	46	3	MUT4_36-36-1-LOCK-2	NUT, MYLOCK 1/8" x 1/8", 2P
11	1	ALA1-BSM	STOPPER, OUTSIDE LEFT	47	6	MUT4_36-36-1-LOCK-4-2	3/8" NUT, MYLOCK 3/8" x 1/8", 2P
12	1	ALA1-BSPLT	HOLD DOWN ARM ROD	48	3	MUT4_36-36-1-LOCK-4-2	3/8" NUT, MYLOCK 3/8" x 1/8", 2P
13	3	ALA1-BSB	EXTENSION SPRING	49	3	MUT4_36-36-1-LOCK-2	NUT, MYLOCK 1/8" x 1/8", 2P
14	1	ALA1-BSPI	INSERTS 1" IN BLACK PLASTIC	50	3	MUT4_36-36-1-LOCK-2	NUT, MYLOCK 1/8" x 1/8", 2P
15	1	ALA1-BSB	COMPRESSION SPRING	51	3	MUT4_36-36-1-LOCK-2	NUT, MYLOCK 1/8" x 1/8", 2P
16	3	ALA1-BSB	MYLAR REVERSE - 3M"	52	1	PM4_13-1_36-CO-SS	CUTTER RM
17	3	A-ASB-SP	HOLD DOWN ARM WASHER	53	1	PM4_36-1_36-APQ	ROLL PM, SW, SPLIT, 2P
18	1	ALA1-BSR	RED REFLECTOR	54	1	PM4_36-1_36-CL-2	CLEANSER, 1/2" x 1/2", 2P
19	1	ALA1-BS	WASHER/SPACK	55	3	PSW-BS-SS	PSWT
20	1	ALA1-BSR	HOLD DOWN FOOT	56	3	PSW-BS-SS-2	E-CLIP W/SHAFT
21	1	ALA1-BSL	LABEL, SERIAL NUMBER	57	1	SHB-4_36-1_36-2	SHOULDER BOLT, 3/8" DIA x 1/8", 2P
22	6	BACS4_37-16-4_70-SS	BUTTON HEAD 3/8" x 1/8", SS	58	1	SPCR4_36-36-4_3-1M	SPACER, 1/2" x 1/8" SPRING
23	1	BACS4_37-16-1_36-SS-HP	BUTTON HEAD 3/8" x 1/8", SS	59	6	WSH4_36-1_36-4_36-RH-SS	WASHER FLAT, 1/4", SS
24	3	BACS4_36-4_36-SS	BUTTON HEAD, #364133, SS, SS	60	3	WSH4_36-1_36-4_36-RH-SS	WASHER FLAT, 1/4", SS
25	1	HMM-BS	STOPPER, PLATFORM	61	4	WSH4_36-1_36-4_36-CH	WASHER, FLAT, 1/2" x 1/8", CH
26	1	HMM18	JOIN	62	3	WSH4_36-1_36-4_36-2	WASHER, SPLIT-LOCK, 1/8", 2P

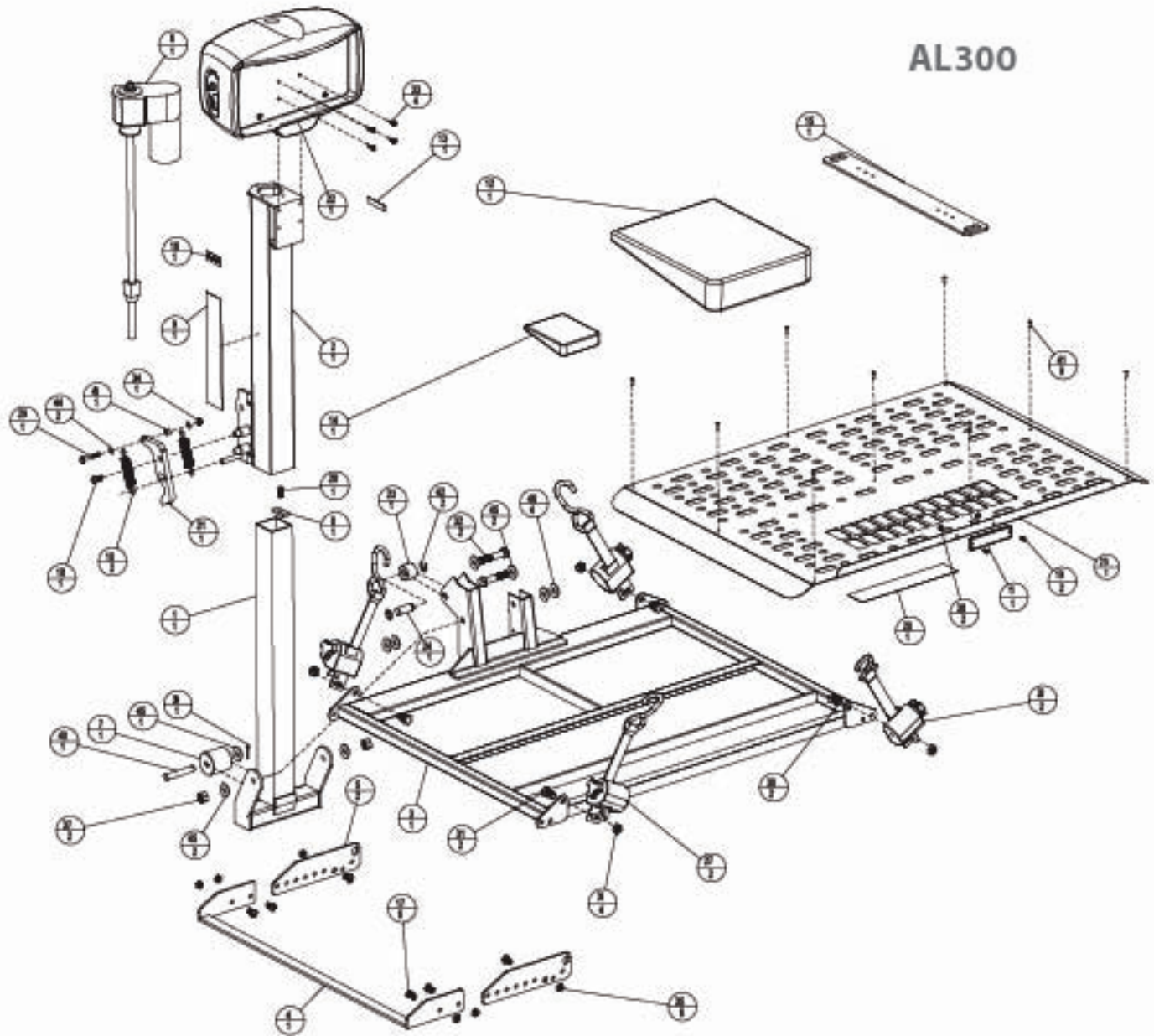
Exploded Views SECTION 2 : INSTALLER

AL160



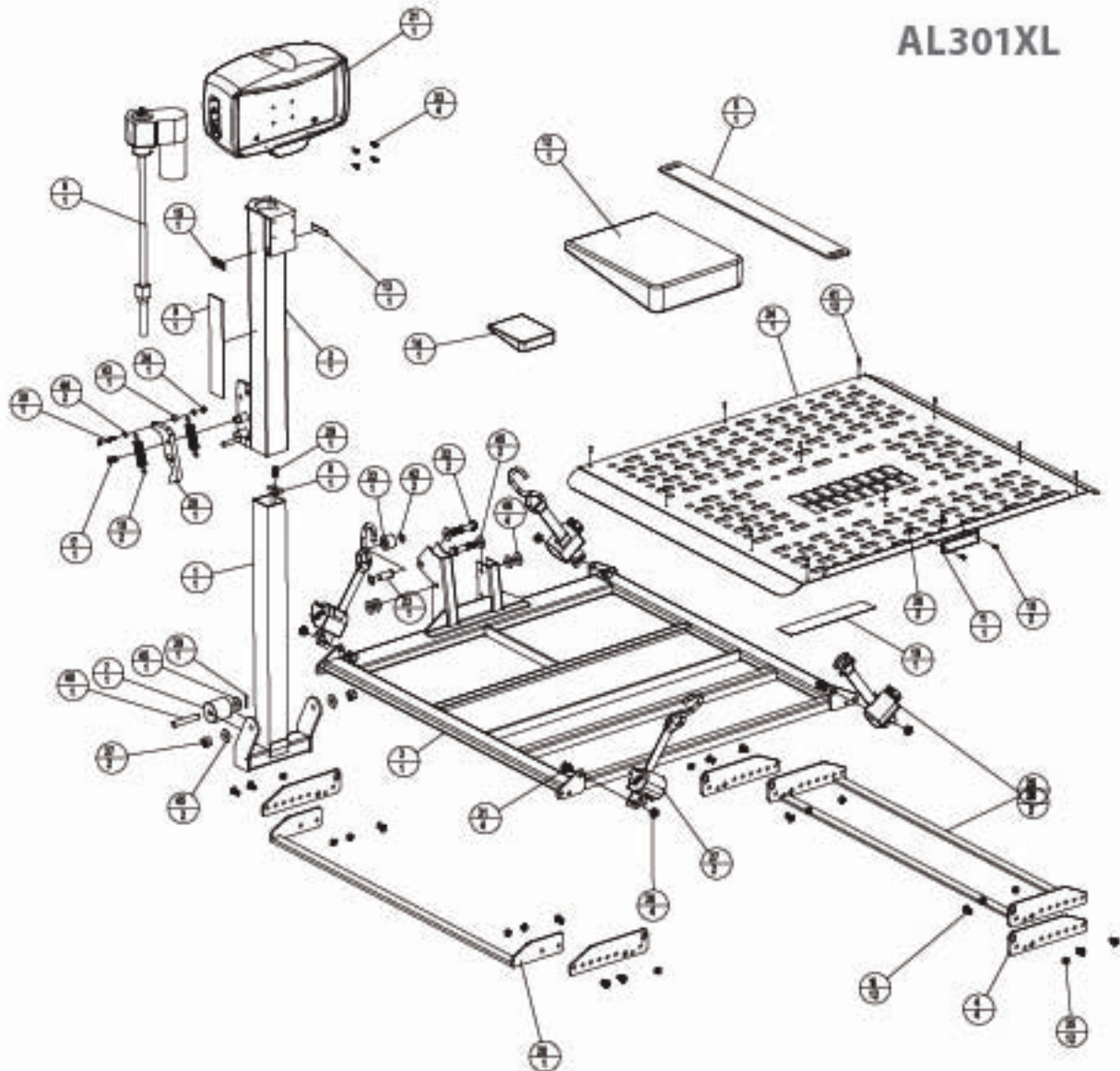
ITEM	QTY	PART NO.	DESCRIPTION
1	1	3064M1-A	MOTOR COVER ASSEMBLY, OUTSIDE LEFT
2	1	301-308-C	INNER TUBE
3	1	302-308-C	OUTER TUBE
4	1	303-308-C	A. WE PLATE FORM
5	1	304-308-C	EXTENDED CRADLE BAR
6	1	305-308-C	HOLD DOWN ARM
7	1	4064M8-A	MWYL CAP FOR 1/2 OD STEEL
8	1	4064M9-A	RUBBER STRIP FOR AL160
9	3	301-308-C	SPREADER BAR BRACKET
10	3	302-308-C	BAR LINK, 3/8"
11	1	303-308-A	LONG HOLD DOWN FOOT
12	1	303-308-A	25" X 64" PRED REFLECTIVE STRIP COVER
13	1	ALA160-SPREM	ACTUATOR
14	1	ALA160-001	ROLLER 2" DIA/3MM
15	1	ALA160-002	TRM. ACTUATOR
16	1	ALA160-003	STRIP COVER, OUTSIDE LEFT
17	1	ALA160-SPFLT	HOLD DOWN ARM FOOT
18	3	ALA160-004	EXTENSION SPRING
19	1	ALA160-005	INSERTS, 1 1/8" BLACK PLASTIC
20	1	ALA160-006	COMPRESSION SPRING
21	3	ALA160-007	NYLON ROLLER SPACERS - 3/8"
22	3	ALA160-008	HOLD DOWN ARM WASHER
23	1	ALA160-009	HARDWARE PACK
24	1	ALA160-010	(CALL TO 800-833-0478)
25	1	ALA160-011	LABEL, SERIAL NUMBER

ITEM	QTY	PART NO.	DESCRIPTION
26	1	HNCS-2-27-16-4-25-SS	BUTTON HEAD, 26-16 x 1.75, SS
27	1	HNCS-2-27-16-1.75-SSMP	BUTTON HEAD, 26-16 x 1.75, SS
28	1	HNCS-2-27-16-1.75-SSMP	JOAM
29	1	HNCS-2-27-16-1.75-SSMP	ROLLER
30	1	HNCS-2-27-16-1.75-SSMP	CLEM SPIN
31	1	HNCS-2-27-16-1.75-SSMP	HEAD, 26-16 x 1.75, 3P
32	1	HNCS-2-27-16-1.75-SSMP	HEAD, 26-16 x 1.75, 3P
33	2	HNCS-2-27-16-1.75-SSMP	HEAD, 26-16 x 1.75, 3P
34	2	HNCS-2-27-16-1.75-SSMP	HEAD, 26-16 x 1.75, 3P
35	1	HNCS-2-27-16-1.75-SSMP	HEX WASHER, 26-16 SELF DRILL, 1.75, 3P
36	3	NUTS-26-16-1.75-SSMP	NUT, MYLOCK, 26-16, 3P
37	6	NUTS-26-16-1.75-SSMP	MYLOCK NUT, 26-16, 3P
38	2	NUTS-26-16-1.75-SSMP	TRIM NUT, MYLOCK, 1.75, 3P
39	2	NUTS-26-16-1.75-SSMP	NUT, MYLOCK, 26-16, 3P
40	2	NUTS-26-16-1.75-SSMP	NUT, 26-16, 3P
41	1	PNH-2-1-26-00-SS	COTTON PIN
42	1	PNH-2-1-26-00-SS	ROLL PIN, 26-16, SELF DRILL, 3P
43	1	PNH-2-1-26-00-SS	CLEM PIN, 1.75, 3P, 3P
44	1	PNH-2-1-26-00-SS	3/16" PIN, 26-16, 3P, 3P
45	2	SR-1-16-60Z	SCREW, 26-16, 3P
46	1	SR-1-16-60Z	SCREW, 26-16, 3P
47	1	SR-1-16-60Z	SCREW, 26-16, 3P
48	6	WASHER-26-16-1.75-SSMP	WASHER, 26-16, 3P, 3P
49	3	WASHER-26-16-1.75-SSMP	WASHER, 26-16, 3P, 3P
50	4	WASHER-26-16-1.75-SSMP	WASHER, 26-16, 3P, 3P
51	2	WASHER-26-16-1.75-SSMP	WASHER, 26-16, 3P, 3P



AL300

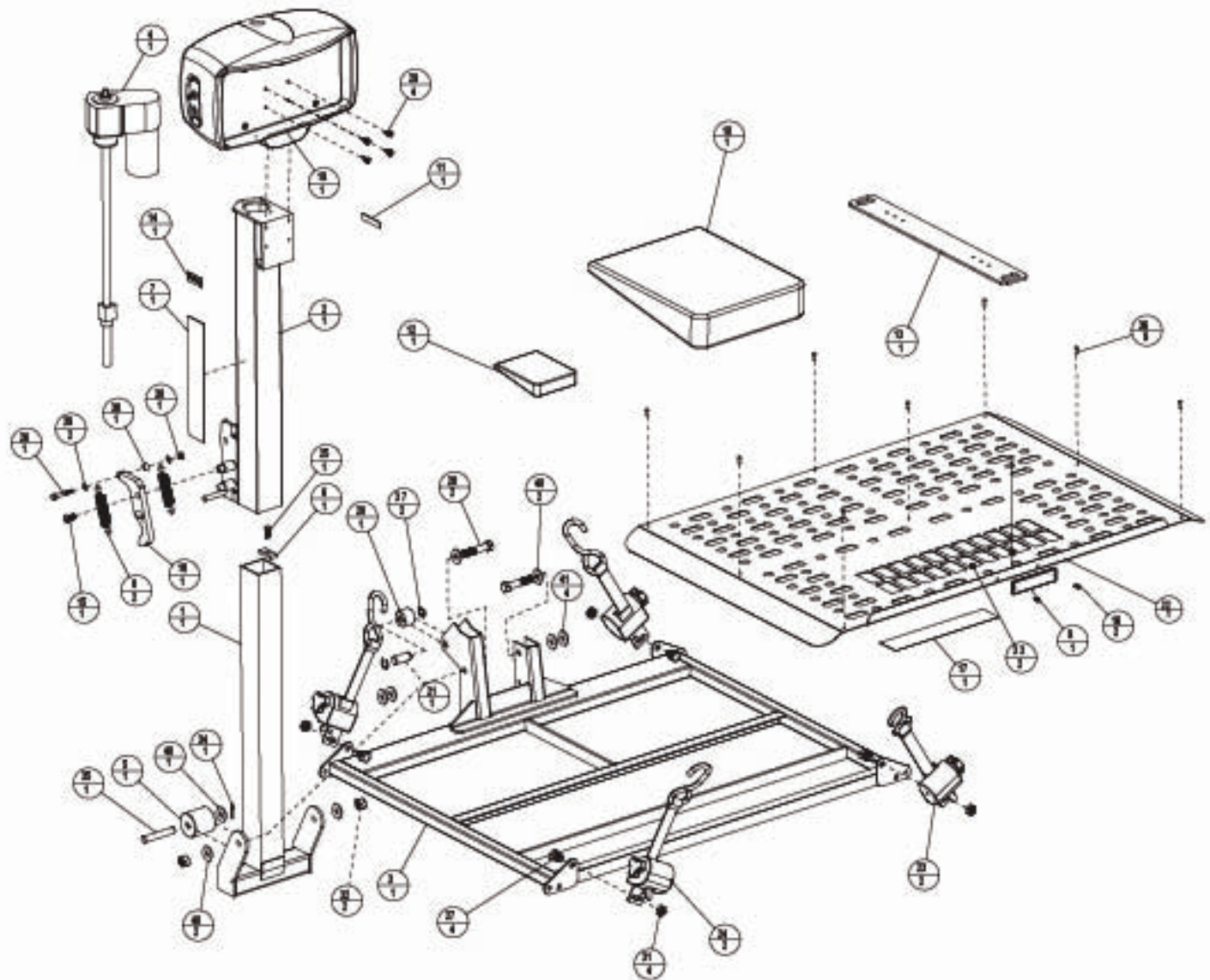
ASSEMBLY PARTS				ASSEMBLY PARTS			
ITEM	QTY	PART NO.	DESCRIPTION	ITEM	QTY	PART NO.	DESCRIPTION
1	1	361-2A-B-C	INNER TUBE	34	1	H886	CLEVIS PIN
2	1	362-2A-B-C	OUTER TUBE	35	1	H887	ALUMINUM PLATE
3	1	363-2A-B-C	PLATFORM	36	2	H888	LEFT HAND, Q-STRUT - BLUE
4	1	364-2A-B-C	EXTENDED CRANK BAR	37	2	H889	RIGHT HAND, Q-STRUT - BLUE
5	2	365-2A-B-C	SPREADER BAR BRACKET	38	1	H824-25-26-4-75-MP-2	HEX HEAD, 26-26 x 17.5, 2P
6	1	ALA-889-2A	ADJUSTOR	39	1	H824-26-26-1-75-2	HEX HEAD, 26-26 x 17.5, 2P
7	1	ALA-890	ROLLER FOR LIMB	40	2	H824-26-13-4-75-2	HEX HEAD, 26-13 x 17.5, 2P
8	1	ALA-891	WE ACTUATOR	41	2	H824-26-13-4-67-2	HEX HEAD, 26-13 x 17.5, 2P
9	1	ALA-892	STICKER, OUTSIDE LEFT	42	2	H824-26-13-4-56-2	HEX HEAD, 26-13 x 17.5, 2P
10	2	ALA-193	EXTENSION SPRING	43	4	H825-14-4-75-2	HEX NUTS, 14 SELF DRILL, 4.75, 2P
11	1	ALA-194	RED REFLECTOR	44	1	NUT-4-25-24NYLOCK-2	NUT NYLOCK, 24-2, 2P
12	1	ALA-195	HARDWARE RACK	45	4	NUT-4-25-24NYLOCK-2	24MM HEX, W/LOCK, 24-2, 2P
13	1	ALA-196	VIEW STICKER	46	4	NUT-4-25-24NYLOCK-2	24MM HEX, W/LOCK, 24-2, 2P
14	1	ALA-197	LIGHT HARDWARE KIT	47	2	NUT-4-25-24NYLOCK-2	NUT NYLOCK, 24-2, 2P
15	1	ALA-198	ANCHOR PLATE	48	2	NUT-4-25-24NYLOCK-2	NUT NYLOCK, 24-2, 2P
16	1	ALA-199	LIMB, SERIAL NUMBER	49	1	PM4-0-1-360-SS	COTTER PIN
17	8	BKCS4-25-14-4-75-SS	BUTTON HEAD, 25-14 x 17.5, SS	50	1	PM4-25-2-360-2	CLEVIS PIN, 10"x2", 2P
18	1	BKCS4-25-14-4-75-SS	BUTTON HEAD, 25-14 x 17.5, SS	51	1	RV-18-SS	RIVET
19	2	BKCS-18-4-24-SS	BUTTON HEAD, 18-4 x 24, SS	52	2	RV-8-SS-02	E-CLIP, 8P, 2P
20	1	H-888	STICKER, PLATFORM	53	1	SPCR4-26-4-26-4-3-1H	SPACER, 1P, 1/2" DIA SPRING
21	1	H-889	J-COM	54	2	WAS-4-25-4-25-4-24-FH-SS	WASHER, FLAT, 1P, SS
22	1	366-2A-B-C	MOTOR ASSEMBLY	55	2	WAS-4-25-1-25-4-24-FH-SS	WASHER, FLAT, 1P, SS
23	1	H-884	ROLLER	56	4	WASH-24-25-4-24-M	WASHER, FLAT, 1P, INCH



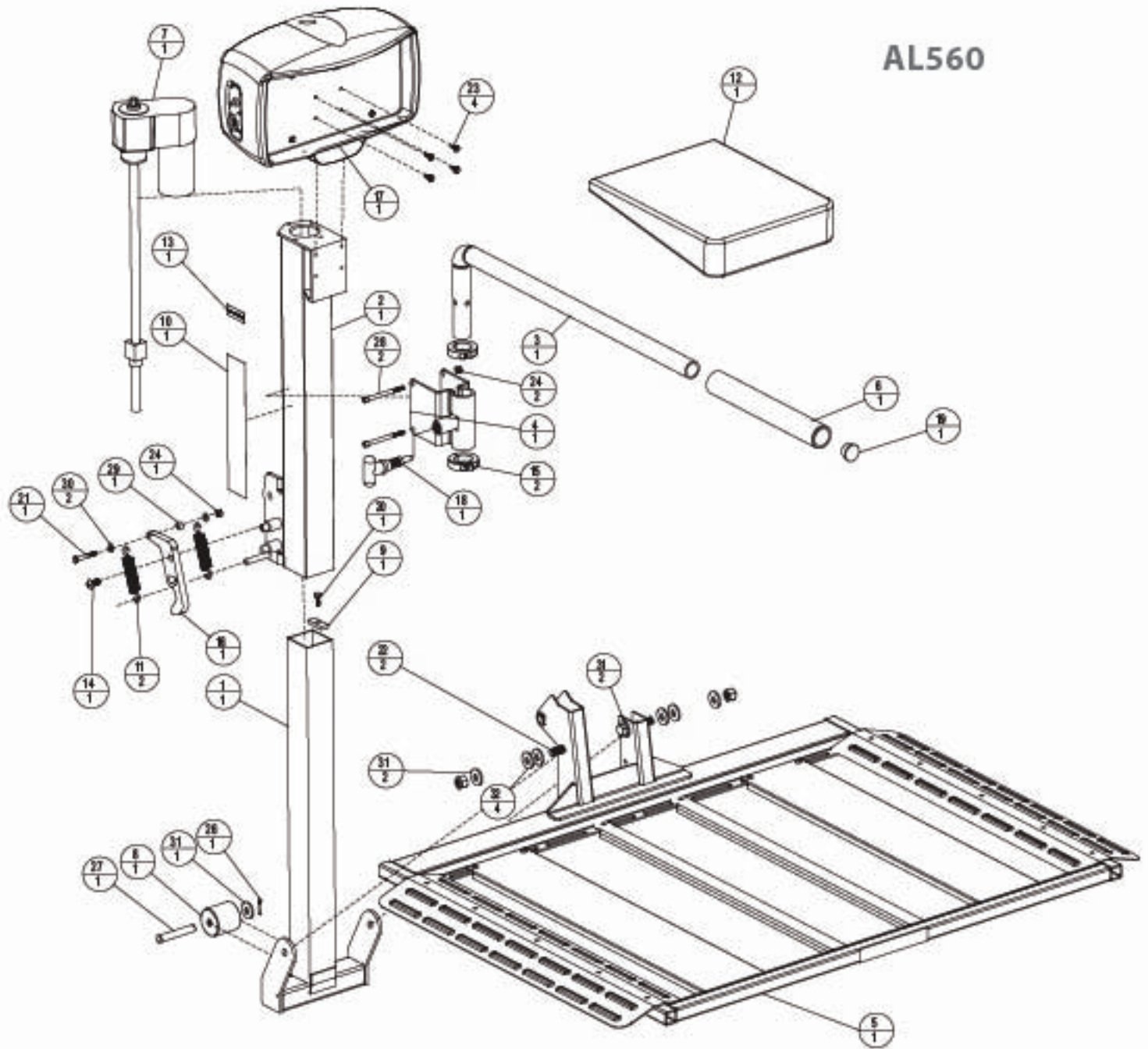
AL301XL

ASSEMBLY PARTS				ASSEMBLY PARTS			
ITEM	QTY	PARTNO.	DESCRIPTION	ITEM	QTY	PARTNO.	DESCRIPTION
1	1	3113-08-C	INERT LIE	34	1	H819	ALUMINUM SHIM W/OL
2	1	3103-08-C	CLIMB TUBE	35	1	H8101	ALUMINUM FRONT WHEEL CRADLE
3	1	3103-08-C	PLATFORM	36	2	H8198	LEFT HAND, O-D BRAMM-BELLE
4	4	3113-08-C	SPREADER BAR BRACKET	37	2	H8195	RIGHT HAND, O-D BRAMM-BELLE
5	1	ALARM	ANCHOR PLATE, 37MM	38	1	H803 KOL	ALUMINUM EXTENDED OVER EDGE
6	1	ALARM W/REV3	ACTUATOR	39	1	H8CS-4_35-30-4_75HP-2	HEX HEAD, 30x30x4.75, 2P
7	1	ALARM 30	ROLLER 2" O ALUMINUM	40	1	H8CS-4_35-30-1_75-2	HEX HEAD, 30x30x1.75, 2P
8	1	ALARM 30	TUB ACTUATOR	41	4	H8CS-4_35-30-1_75-2	HEX HEAD, 30x30x1.75, 2P
9	1	ALARM 30	STICKER OUTSIDE UP	42	2	H8CS-4_35-30-2_30-2	HEX HEAD, 30x30x2.30, 2P
10	2	ALARM 30	EXTENSION SPRING	43	4	H810-N-4_75-2	HEX WASHER, 30x30x4.75, 2P
11	1	ALARM 30	RED REFLECTOR	44	1	MUT-4_35-30-HPLOCK-2	MUT W/LOCK 1/4-32, 2P
12	1	ALARM 30	HARDWARE PACK	45	10	MUT4_37-30-HPLOCKMTG2	3/8" MUT W/LOCK 3/8-16, 2P
13	1	ALARM 30	RIGHT STICKER	46	4	MUT4_35-30-HPLOCKMTG2	3/8" MUT W/LOCK 1/4-32, 2P
14	1	ALARM 30	LOCKTIGHTENING KIT	47	2	MUT-4_35-13-HPLOCK-2	MUT W/LOCK 1/4-32, 2P
15	1	ALARM 30	LED, SERIAL NUMBER	48	2	MUT-30-HPLOCK-2	MUT W/LOCK, 3/8-24, 2P
16	10	BHCS-4_37-30-1_75-05	BUTTON HEAD, 30-30x1.75, 05	49	1	PM4_10-1_30-03-05	COTTER PIN
17	1	BHCS-4_37-30-1_30-05HP	BUTTON HEAD 30-30x1.30, 05	50	1	PM4_30-3_30-CL-2	CLIP PIN, 10" x 1/4", 2P
18	2	BHCS-6-34-1_30-05	BUTTON HEAD, 30-34x1.30, 05	41	10	RV-0805	WASHER
19	1	H8198	STICKER, PLATFORM	42	2	RV-0802	SCREW W/SHFT
20	1	H8198	JCAM	43	1	SPCR4_35-1_30-1_75M	SPACER, 1/4", 3/16" SPRING
21	1	28041-A	MOTOR COVER ASSEMBLY	44	2	WASH4_35-1_30-4_04RH05	WASHER, FLAT, 1/4", 05
22	1	H8198	ROLLER	45	2	WASH4_35-1_30-4_04RH05	WASHER, FLAT, 1/4", 05
23	1	H8198	CLEVER PIN	46	4	WASH4_35-1_30-4_04-M	WASHER, FLAT, 1/4", 04, 0M

AL500



ASSEMBLY PARTS				ASSEMBLY PARTS			
ITEM	QTY	PARTNO.	DESCRIPTION	ITEM	QTY	PARTNO.	DESCRIPTION
1	1	3812AB-C	INNER TUBE	32	1	HM107	ALUMINUM FLAT
2	1	3812AB-C	OUTER TUBE	33	2	HSB118B	LEFT HAND, O-STRAIN-BLUE
3	1	3812AB-C	PLATFORM	34	2	HSB118B	RIGHT HAND, O-STRAIN-BLUE
4	1	AA1818BC14	ACU-FLOOR	35	1	HKCS-4-25-21-4-75MP-Z	HEXHEAD, 25-21 x 1.75, 3P
5	1	A, N 880	ROLLER FROM LHMW	36	1	HKCS-4-25-21-1.75-Z	HEXHEAD, 25-21 x 1.75, 3P
6	1	A, N 880	SHAFT ACTUATOR	37	4	HKCS-4-25-21-4.75-Z	HEXHEAD, 25-21 x 4.75, 3P
7	1	A, N 880	STOKEE, OUTSIDE LEFT	38	2	HKCS-4-25-21-3.25-Z	HEXHEAD, 25-21 x 3.25, 3P
8	2	ALAH108	EXTENSION SPRING	39	4	HW15-W-4.75Z	HD W/SHR, 4.75 IN DIA, 4.75, 3P
9	1	A, N 880	RED REFLECTOR	40	1	NUT-4-25-20-W/LOCK-Z	NUT, W/LOCK, 25-20, 2P
10	1	ALA108	HARDWARE PKG	41	4	NUT-4-25-20-W/LOCK-WB-Z	W/SHR NUT, W/LOCK, 25-20, 2P
11	1	A, N 880	RIGHT STICKER	42	2	NUT-4-25-20-W/LOCK-Z	NUT, W/LOCK, 25-20, 2P
12	1	ALA108	UNLOTHARDWARE KIT	43	2	NUT-38-W/LOCK-Z	NUT, W/LOCK, 38 DIA, 3P
13	1	ALASH102	ANCHOR PLATE	44	1	PM4-13-1.50-CO-SS	COTTER PIN
14	1	A, N 880	LEAD, 25MM HUBER	45	1	PM4-13-1.50-O-Z	CLEMS PIN, 13"x1.5", 2P
15	1	HKCS-4-25-21-1.75-2MP	BUTTON HEAD 25-21 x 1.75, 2P	46	2	RM1840	RNCT
16	2	HKCS-4-25-21-4.75-2	BUTTON HEAD 25-21 x 4.75, 2P	47	2	RR4-1340-Z	E-CLIP SPRING
17	1	HM108	STICKER PLATFORM	48	1	SPCR4-134-25-4-21-M	SPACER, 1/4", 20 CAM SPRING
18	1	HM108	JOH	49	2	WASH-4-25-4-20-4-W/SHR	WASHER FLAT, 25, SS
19	1	3812AB1-A	MOTOR COVER ASSEMBLY	50	2	WASH-4-25-4-20-4-W/SHR	WASHER FLAT, 25, SS
20	1	HM108	ROLLER	51	4	WASH-25-1.50-4-13M	WASHER FLAT, 25, IN DIA
21	1	HM108	CLIPS PIN				

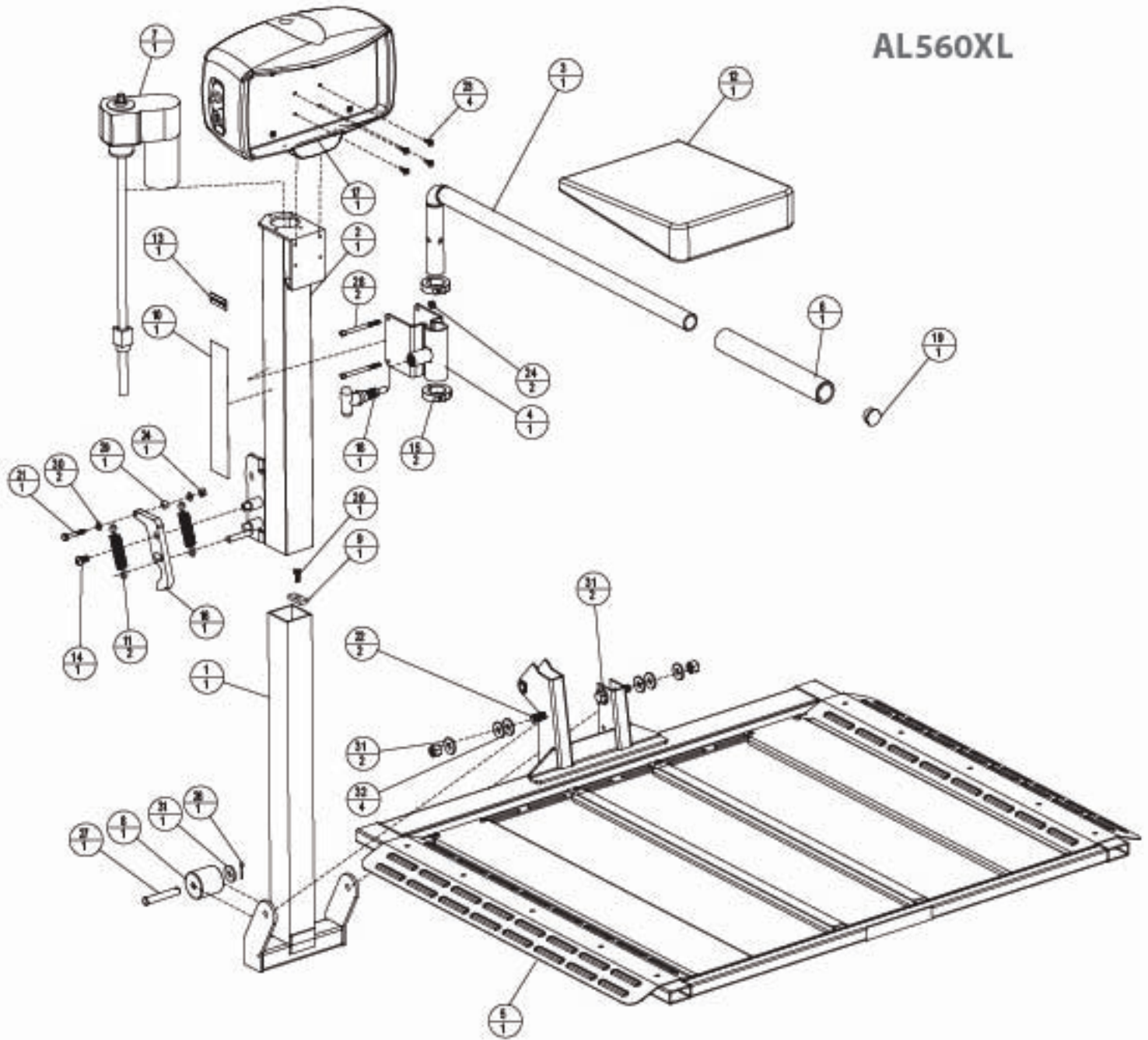


AL560

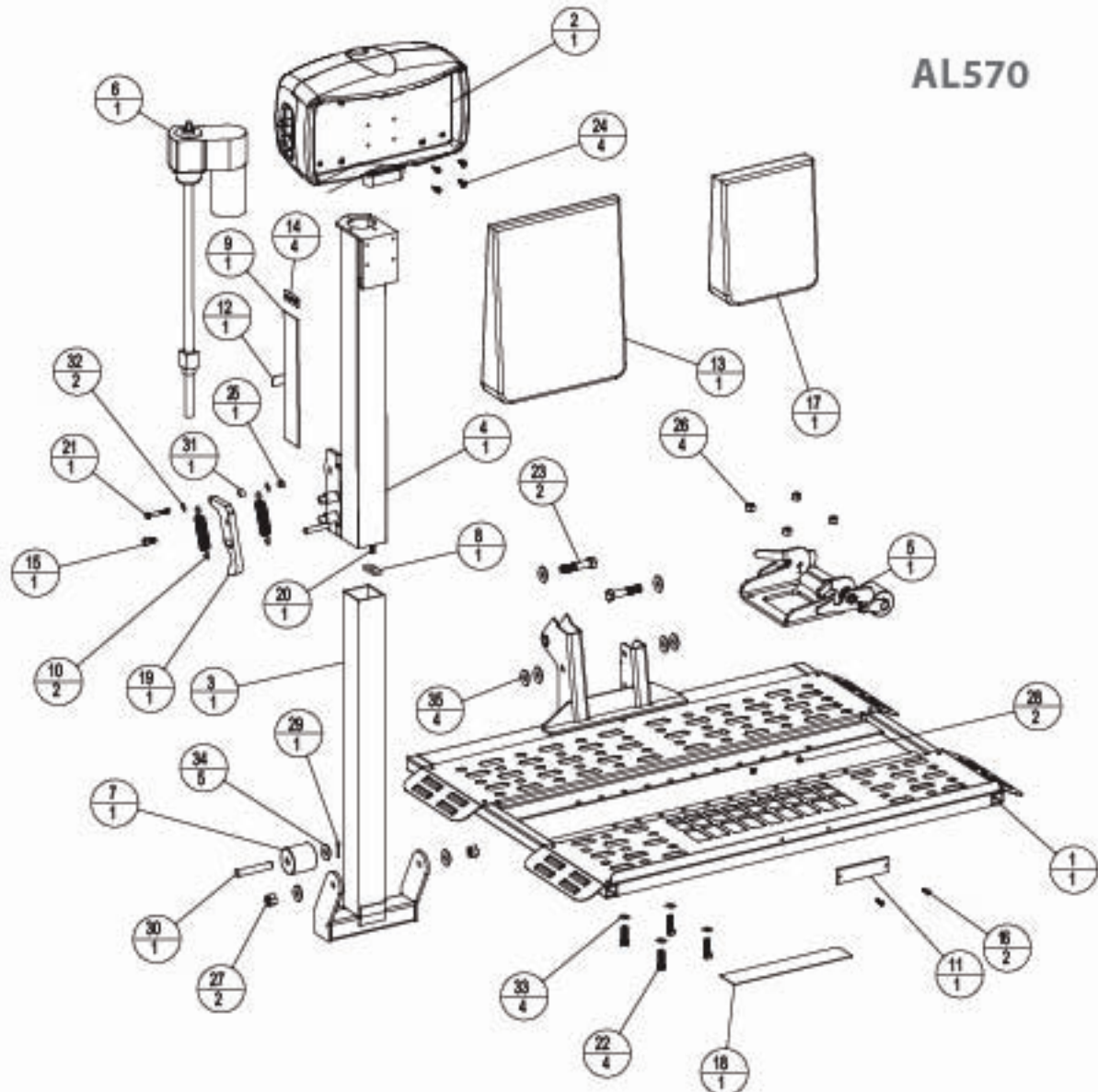
ASSEMBLY PARTS				ASSEMBLY PARTS			
P/N	QTY	P/N	DESCRIPTION	P/N	QTY	P/N	DESCRIPTION
1	1	2012-000	MAIN TUBE	17	1	2012-001	MOTOR/COVER ASSEMBLY
2	1	2012-001	COVER TUBE	18	1	2012-002	SHOCK SPRING/STOP SPRING, BLUE
3	1	2012-002	ROLLER	19	1	2012-003	1/2" DIAMETER END CAP
4	1	2012-003	FORMER/HOLDER/ARM BRACKET	20	1	2012-004-1 75P-2	HEX NUT, 1/4" X 1/2", SP
5	1	2012-004	PLATFORM ASSEMBLY	21	1	2012-005-1 75L-2	HEX NUT, 1/4" X 1/2", SP
6	1	2012-005	FOAM RUBBER STOP ON LOW	22	2	2012-006-2 50L-2	HEX NUT, 1/2" X 1/2", SP
7	1	2012-006	ROLLER	23	4	2012-007-2 75L-2	HEX NUT, 1/4" SELF DRILL, 1/2", SP
8	1	2012-007	ROLLER 2" DIAMETER	24	2	2012-008-2 50L-2	WASHER, 1/4", SP
9	1	2012-008	WASHER	25	2	2012-009-2 50L-2	WASHER, 1/4", SP
10	1	2012-009	WASHER	26	1	2012-010-1 50L-2	COTTER PIN
11	2	2012-010	SPRING SPRING	27	1	2012-011-1 50L-2	CLIP/STOP, 1/2" P.L., SP
12	1	2012-011	WASHER	28	2	2012-012-1 50L-2	WASHER, 1/4" X 1/2", SP
13	1	2012-012	WASHER	29	1	2012-013-1 50L-2	SPACER, 1/4", M CM SPRING
14	1	2012-013	WASHER	30	2	2012-014-1 50L-2	WASHER, 1/4", SP
15	2	2012-014-1 50L-2	WASHER	31	2	2012-015-1 50L-2	WASHER, 1/4", SP
16	2	2012-015-1 50L-2	WASHER	32	4	2012-016-1 50L-2	WASHER, 1/4", SP
17	1	2012-016	WASHER				

Exploded Views SECTION 2 : INSTALLER

AL560XL

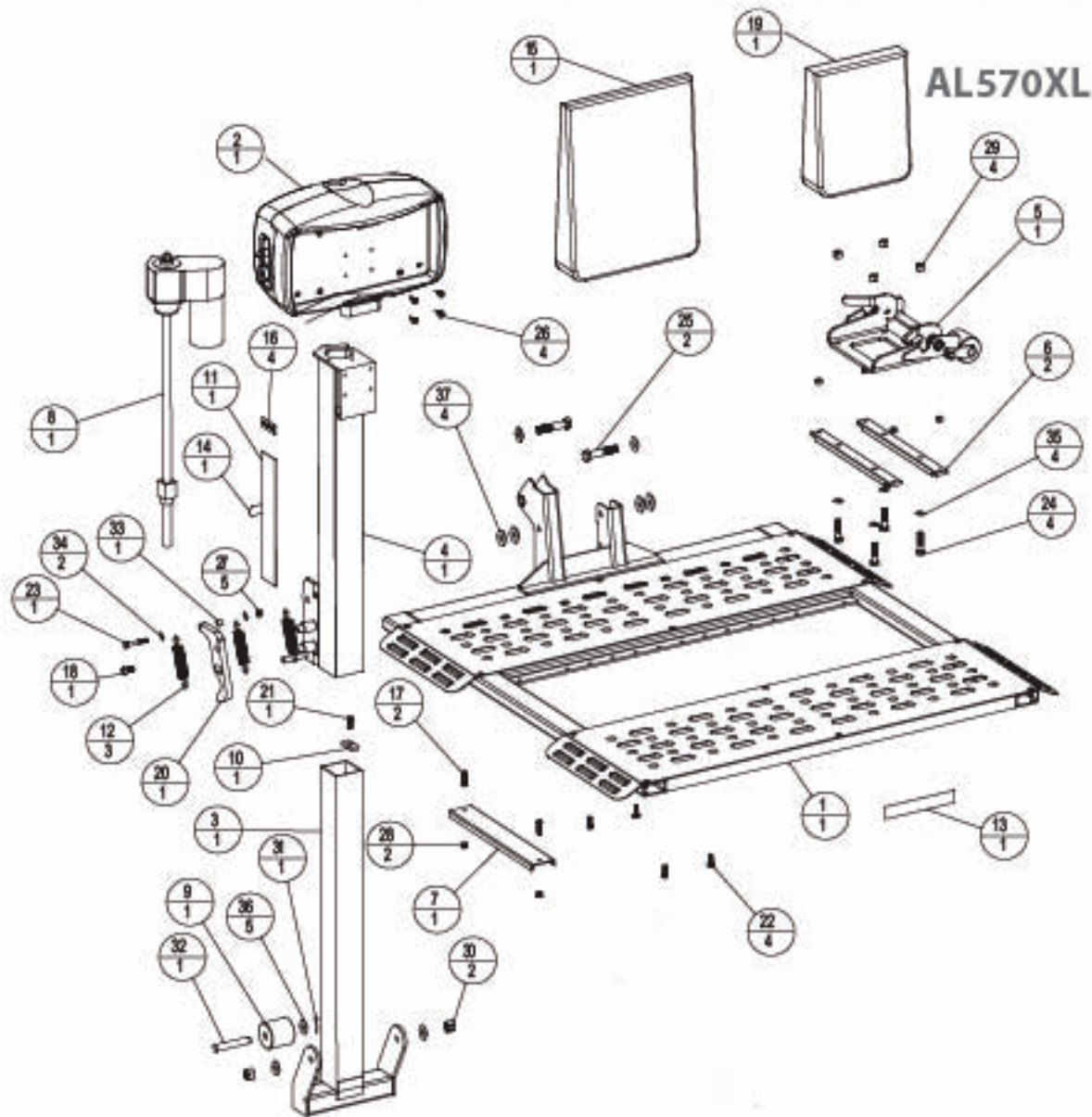


ASSEMBLY PARTS				ASSEMBLY PARTS			
P/N	QTY	P/N	DESCRIPTION	P/N	QTY	P/N	DESCRIPTION
1	1	20-280-C	BASE TUBE	17	1	20-281-A	MOTOR COVER ASSEMBLY
2	1	20-285-C	OUTER TUBE	18	1	4000001	THUMBLE SPRING PH 450V 30V PH BLUE
3	1	20-284-C	HOLD DOWN ARM	19	1	40000	1/2 DASH TURNED COP
4	1	20-283-C	FORMED HOLDDOWN WITH BRACKET	20	1	4000-1 20-1 75402	HEXHEAD, 10-32 X 1/2, 2P
5	1	21-520-6A	PLATE FORM ASSEMBLY	21	1	4000-1 20-1 752	HEXHEAD, 10-32 X 1/2, 2P
6	1	4A-0000	FOAM RUBBER GIP ON LEG	22	2	4000-1 20-1 862	HEXHEAD, 10-32 X 1/2, 2P
7	1	4A-000002	ROLLER	23	4	4000-1 20-1 75-2	HEX NUTS, 10-32 SELF LOCK L, 1/2, 2P
8	1	4A-0000	ROLLER 2" DIA/1MM	24	2	4000-1 20-1 75402	NUT, W/LOCK, 10-32, 2P
9	1	4A-0000	SAE ACTUATOR	25	2	4000-1 20-1 75402	NUT, W/LOCK, 10-32, 2P
10	1	4A-0000	STICKER OUTSIDE LEFT	26	1	PH 1 10-1 81-0040	COTTER PIN
11	2	4A-0000	COIL SPRING	27	1	PH 1 10-1 81-002	CLEVIS PIN, 10 X 1/2, 2P
12	1	4A-0000	WASHER/FLAT	28	2	4000-1 20-1 262	WASHER, 10-32 X 1/2, 2P
13	1	4A-0000	LABEL SERIAL NUMBER	29	1	4000-1 20-1 214	SPRING, 10-32 X 1/2, 2P
14	1	4000-1 20-1 81-0040	BUTTONHEAD 10-32 X 1/2"	30	2	4000-1 20-1 81-0040	WASHER FLAT, 10, 50
15	2	4000-1 20-1 81-0040	SWIFT COLLAR, 10X 1/2"	31	2	4000-1 20-1 81-0040	WASHER FLAT, 10, 50
16	1	4000	JCM	32	4	4000-1 20-1 81-0040	WASHER, FLAT, 10, W/LOCK



ITEM	QTY	PART NO.	DESCRIPTION	ITEM	QTY	PART NO.	DESCRIPTION
1	1	20-1415A	PLATFORM ASSEMBLY	18	1	H1006	STICKER, TAPMARK
2	1	20-3014	MOTOR COVER, ASSEMBLY, OUTSIDE LIFT	19	1	H1010	JOINT
3	1	20-1304C	NARROW INNER TUBE	20	1	HC20 20-20-0 75H PZ	HEX HEAD, 10-20 X 0.75, ZP
4	1	20-3010C	OUTER TUBE	21	1	HC20 20-20-1 35-Z	HEX HEAD, 10-20 X 1.35, ZP
5	1	20-1415A	DOCK AND LOCK ASSEMBLY	22	4	HC20 20-15-1 25-Z	HEX HEAD, 10-15 X 1.25, ZP
6	1	AA1002	ACTUATOR	23	2	HC20 20-15-0 25-Z	HEX HEAD, 10-15 X 0.75, ZP
7	1	AA1002	ROLLER 2" DIA LAMIN	24	4	HRT0-N-0 35-Z	HEX WASHER, 24 SELF DRILL, 3/4" L, 3P
8	1	AA1002	TAB, ACTUATOR	25	1	NUT-0 20-20H V.LOCK-Z	NUT - NYLOCK, 10-20, ZP
9	1	AA1006	OUTSIDE STICKER	26	4	NUT-0 20-15H V.LOCK-Z	NUT - NYLOCK, 10-15, ZP
10	2	AA1003	EXTENSION SPRING	27	2	NUT-0 20-13H V.LOCK-Z	NUT - NYLOCK, 10-13, ZP
11	1	AA1008	RED REFLECTOR	28	2	NUT1024 NYLOCK-Z	NUT NYLOCK, 1004, 3P
12	1	AA1006	LABEL, PATENT PENDING	29	1	RHS 15-1 20-00-00	COTTER PIN, 20
13	1	AA1006	HARDWARE PACK	30	1	PH0 10-3 20-CL-Z	CLINCH PIN, 10" X 3.00, ZP
14	4	AA1006	LABEL, SERIAL NUMBER	31	1	SPCR0 20-0 20-0 21 H	SPACER, 10", FOR CAM SPRINGS
15	1	HC20-0 20-15-1 20-00HP	BUTTON HEAD 20-15X 0.75 20	32	2	WASH-0 20-0 20-0 24 PH00	WASHER, FLAT, 24", 2P
16	2	HC20-0 20-0 75-00	BUTTON HEAD, 10-24 X 0.75, 20	33	4	WASH-0 20-0 20-0 26 PH00	WASHER, FLAT, 26", 2P
17	1	HS-1415-A	ONLINE HARDWARE PACK	34	5	WASH-0 20-1 20-0 28 PH-Z	WASHER, FLAT, 10", Z
				35	4	WASH-0 20-1 20-0 13H	WASHER, FLAT, 10", H V.LOCK

Exploded Views SECTION 2 : INSTALLER



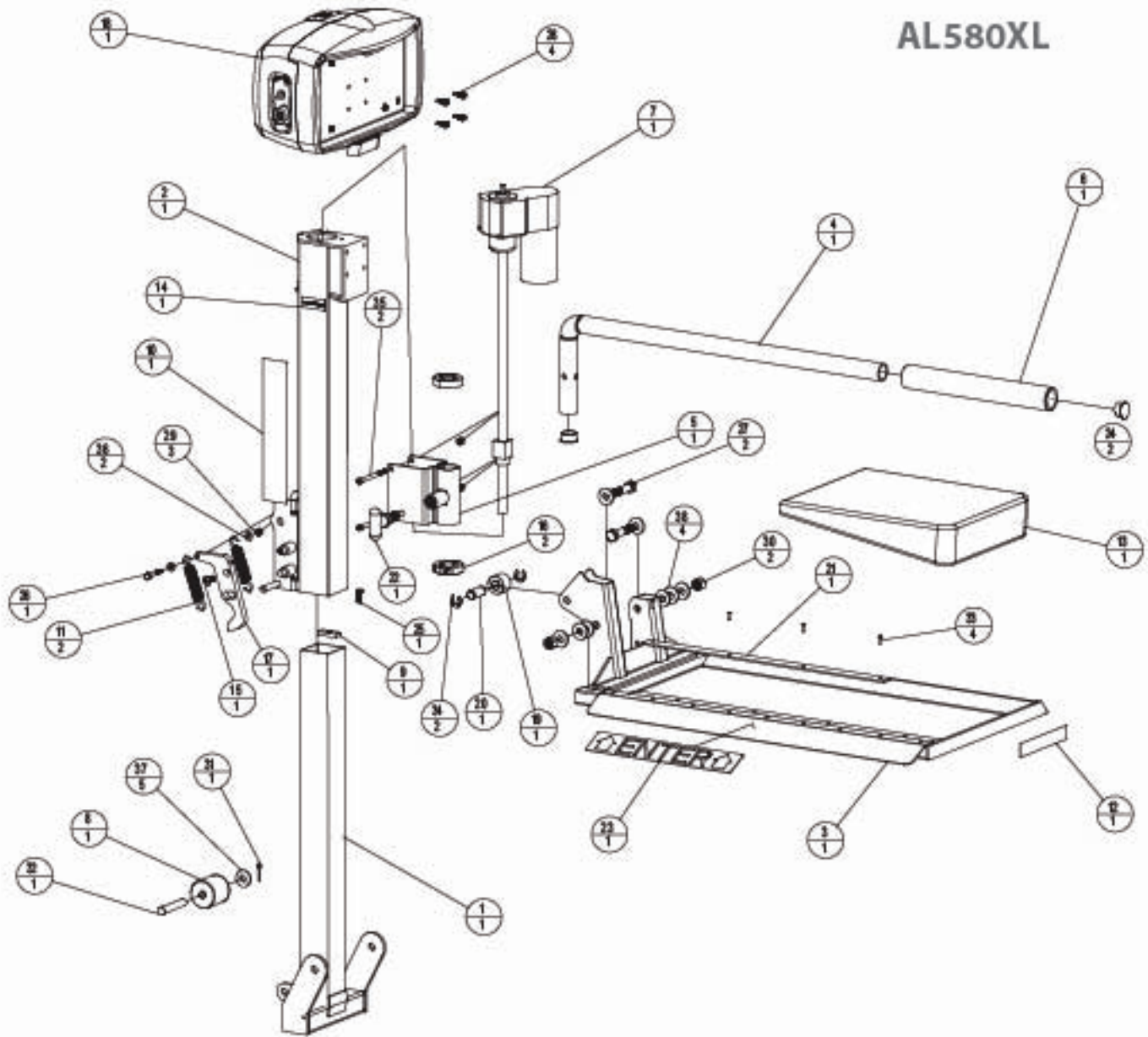
AL570XL

ASSEMBLY PARTS			
ITEM	QTY	PART NO.	DESCRIPTION
1	1	360-5A1-A	PLATFORM ASSEMBLY
2	1	360-5A1-A	MOTOR COVER ASSEMBLY, OUTSIDE LIP IS
3	1	361-2A1-C	NARROW BEER TUBE
4	1	362-2A1-C	OUTER TUBE
5	1	363-5A1-A	DOCK AND LOCK ASSEMBLY
6	2	3631A1-C	DR. BEAM
7	1	3631A1-C	CARRIER BRACKET
8	1	AL4500-PRV2	ACTUATOR
9	1	AL4500Z	ROLLER 2" DIA LAMIN
10	1	AL4500B	TAB ACTUATOR
11	1	AL4500M	STICKER, OUTSIDE
12	2	AL4500Z	SCREWDRIVER SPRING
13	1	AL4500M	RED FLUORESCENT STICKER
14	1	AL4500M	LABEL, FRONT PANEL
15	1	AL4500	HARDWARE PACK
16	4	AL4500M	LABEL, SIDE ALUMINUM
17	2	HWCS-0 23-0-1 00-00	BUTTON HEAD, 16-00X 1.00, SS
18	1	HWCS-0 23-0-1 0000-HP	BUTTON HEAD 26-00 X 30-70 SS

ASSEMBLY PARTS			
ITEM	QTY	PART NO.	DESCRIPTION
19	1	HWCS-0 16-0-0 00-00	DR. HARDWARE PACK
20	1	HWCS-0	J CAM
21	1	HWCS-0 26-00-0 70-HP-C	HEX HEAD, 16-00X 3/16, 2P
22	4	HWCS-0 26-00-0 70-Z	HEX HEAD, 16-00 X 3/16, 2P
23	1	HWCS-0 26-00-1 70-Z	HEX HEAD, 16-00 X 1/16, 2P
24	4	HWCS-0 21-00-1 00-Z	HEX HEAD, 26-00 X 1/16, 2P
25	2	HWCS-0 30-00-2 00-Z	HEX HEAD, 10-00 X 3/16, 2P
26	4	HWCS-0 16-0 70-Z	HEX WASHER, 1/4 SELF DRILL, 3/16", 2P
27	0	HUTS-0 23-00-00-00-Z	NUT, W/LOCK, 1/4-20, 22P
28	2	HUTS-0 23-00-00-00-Z	NUT, W/LOCK, 1/4-20, 2P
29	4	HUTS-0 23-00-00-00-Z	NUT, W/LOCK, 3/8-16 2P 0 RANGE 0
30	2	HUTS-0 23-00-00-00-Z	NUT, W/LOCK, 3/16, 2P STEEL
31	1	PH-0 10-1 000-000	CUTTER PH. SS
32	1	PH-0 10-1 000-000	CUTTER PH. 10" X 3.00, 2P
33	1	SPCR-0 20-0 00-0 21-H	SPACER, 3/4", 3/4" DIA SPRING
34	2	WASH-0 26-0 00-0 00-00-00	WASHER, FLAT, 3/16", SS
35	4	WASH-0 27-0 00-0 00-00-00	WASHER, FLAT, 3/16", SS
36	0	WASH-0 26-1 00-0 00-0 00-00-00	WASHER, FLAT, 1/16", Z
37	4	WASH-0 26-1 00-0 00-0 00-00	WASHER, FLAT, 1/16", PLASTIC

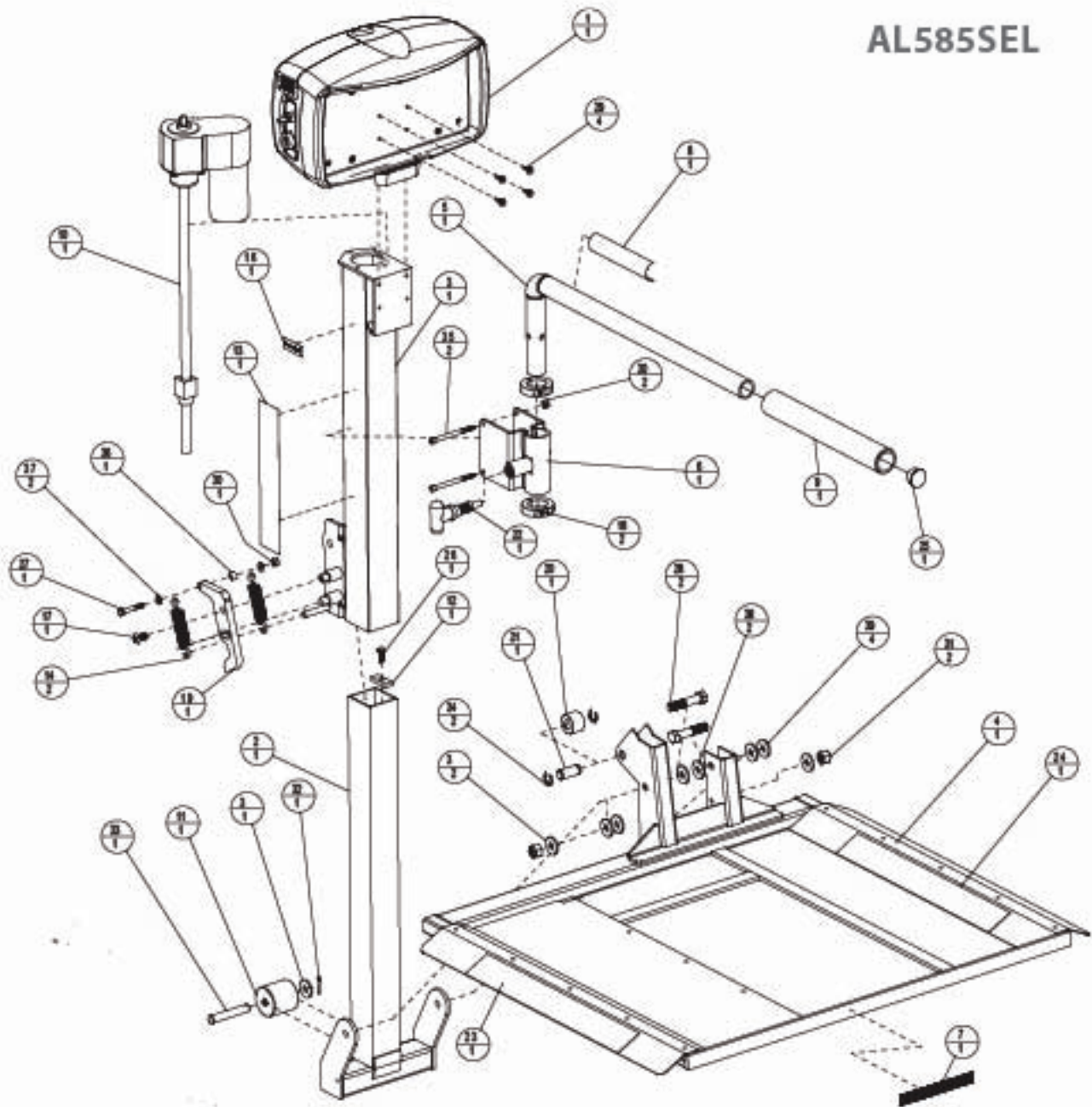
Exploded Views SECTION 2 : INSTALLER

AL580XL



ASSEMBLY PARTS				ASSEMBLY PARTS			
ITEM	QTY	PART NO.	DESCRIPTION	ITEM	QTY	PART NO.	DESCRIPTION
1	1	38-ZA8-C	INNER TUBE	20	1	H1484-S	CLEVIS PIN
2	1	38-ZA9-C	OUTER TUBE	21	1	H33010	RAMP ROD
3	1	38-ZA7-C	PLATO PIN	22	1	H3300R1	T-HANDLE SPRING PIN ASSY 3/8" PIN, BLUE
4	1	38-ZA5-C	HOLD DOWN ARM	23	1	H27010	ENTER/STICKER
5	1	38-ZA5-C	FORMED HOLD DOWN ARM BRACKET	24	2	H33210	1.25 DIAMETER END CAP
6	1	AA1000	FOAM RUBBER GRIP 13x LONG	25	1	18K350 2520-0 25-Z	HEX HEAD, 1/420X 075, 3P
7	1	AA1000	ACTUATOR	26	1	18K350 2520-1 25-Z	HEX HEAD, 1/420X 175, 3P
8	1	AA1000	ROLLER 2" DIA UNFIN	27	2	18K350 2513-2 25-Z	HEX HEAD, 1/413X 250, 3P
9	1	AA1000	2" DIA ACTUATOR	28	4	HMTS-M-0 25-Z	HEX WASHER, 8"X SELF DRILL, 0.75, 2P
10	1	AA1000	SWITCH, OUTSIDE LIFT	29	3	NUT-0 25-25H LOCK-Z	NUT, NYLOCK, 1/4-20, 2P
11	2	AA1000	EXTENSION SPRING	30	2	NUT-0 25-13H LOCK-Z	NUT, NYLOCK, 1/4-13, 2P
12	1	AA1000	RED REFLECTIVE STICKER	31	1	PN40 13-1 25-00-00	COOTER PIN
13	1	AA1000	HARDWARE PACK	32	1	PN40 20-3 25-01-Z	CLEVIS PIN, 1/4" X 3/4, 3P
14	1	AA1000	LABEL, SERIAL NUMBER	33	4	RV-00-00	RVET
15	1	SHCS-0 27-26-1 25-05HP	BUTTON HEAD 26-16-10000	34	2	RV-0 25-00Z	E-CLIP 26" SHAFT
16	2	COLLAR-1 25-0H-0P-Z	SHAFT COLLAR, 1-1/4" BORE	35	2	SHCS-0 25-20-3 25-Z	SHCS, 1/4-20 X 1-1/4, 2P
17	1	H1010	J-CAM	36	2	WASH-0 25-0 25-0 07-PH-00	WASHER, FLAT, 1/8", 00
18	1	38-ZA6-A	MOTOR COVER ASSEMBLY	37	5	WASH-0 25-1 27-0 07-PH-00	WASHER, FLAT, 1/8", 00
19	1	H1010	ROLLER	38	4	WASH-0 25-1 25-0 07-PH-00	WASHER, FLAT, 1/8", PLASTIC

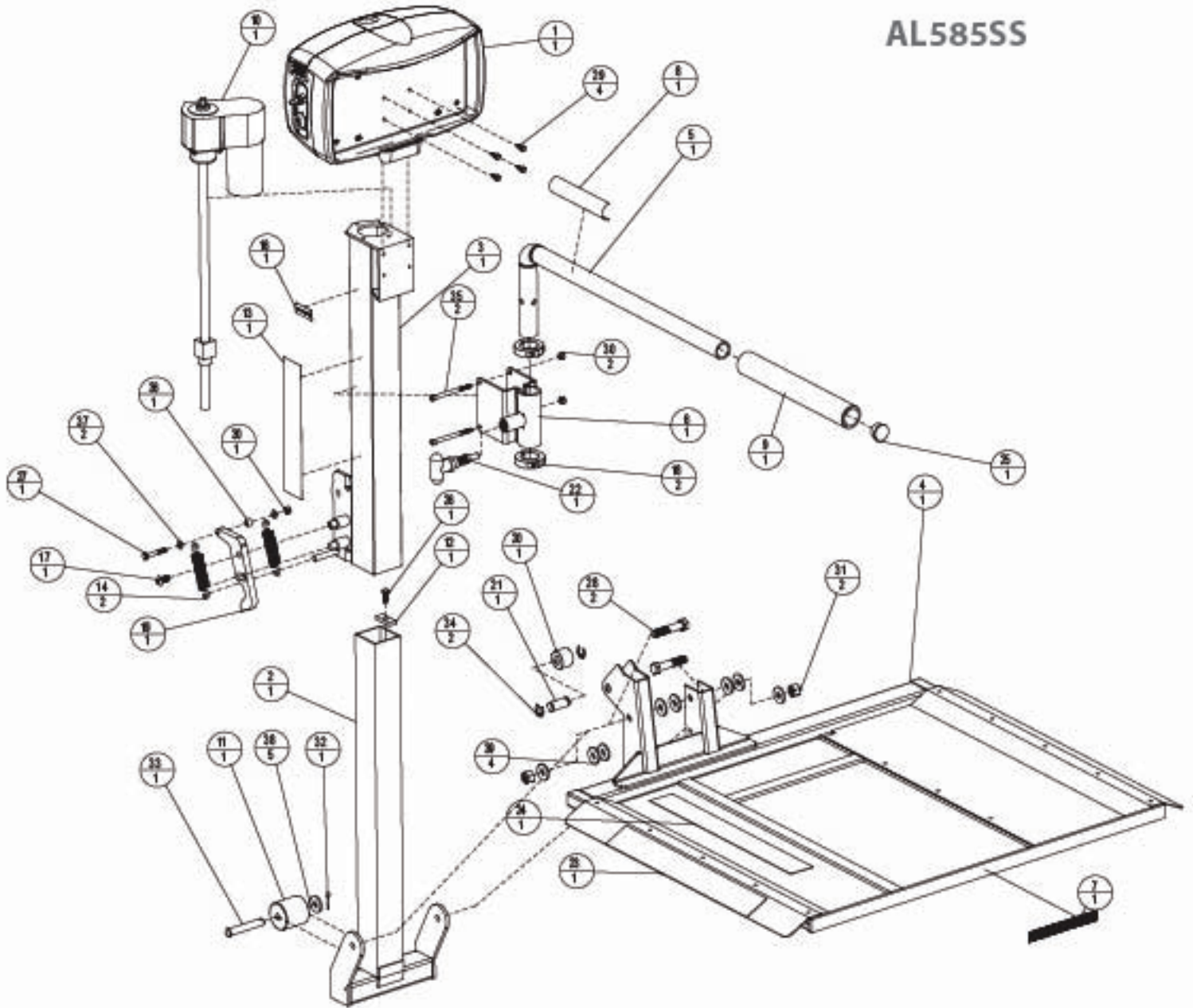
AL585SEL



ASSEMBLY PARTS AL585SEL			ASSEMBLY PARTS AL585SEL				
ITEM	QTY	PART NO.	DESCRIPTION	ITEM	QTY	PART NO.	DESCRIPTION
1	1	200-0901-A	MOTOR COVER, 400MM D, OUTER LIPS	21	1	W1000	CLIMBER
2	1	201-0901-C	BRACKET	22	1	W2000	THUMB LE SPRING PINS 21 107 PWS 8.0
3	1	202-0901-C	COTE RIGIDE	23	1	W1701	WATER TIGHTER
4	1	203-0901-C	FLATWIRE	24	1	W1702	WATER TIGHTER
5	1	205-0901-C	WELDED ON ARM - TOP	25	1	W1703	1.25 DIAMETER PIANO CUP
6	1	206-0901-C	FOAM SHEATH ON RUBBER BRACKET	26	1	W1004_20-20-0_25MP-2	W1004 20-20-0 25MP 2
7	1	W1004A	3/2" DIA FLEXIBLE TUBING	27	1	W1004_20-20-0_25C-2	W1004 20-20-0 25C 2
8	1	200-1010-A	FLY WHEEL	28	2	W1004_20-20-0_25C-2	W1004 20-20-0 25C 2
9	1	AL1000	FOAM RUBBER ROLLER END	29	4	W1004_20-20-0_25C-2	W1004 20-20-0 25C 2
10	1	AL1000B	ACTUATOR	30	2	W1004_20-20-0_25C-2	W1004 20-20-0 25C 2
11	1	AL1000C	ROLLER 2" DIA X 4MM	31	2	W1004_20-20-0_25C-2	W1004 20-20-0 25C 2
12	1	AL1000D	TUB ACTUATOR	32	1	W1004_20-20-0_25C-2	W1004 20-20-0 25C 2
13	1	AL1000E	3 TONN R. OUTER LIP	33	1	W1004_20-20-0_25C-2	W1004 20-20-0 25C 2
14	2	AL1000F	EXTENSION SPRING	34	2	W1004_20-20-0_25C-2	W1004 20-20-0 25C 2
15	1	AL1000G	WINDUP SPRING	35	2	W1004_20-20-0_25C-2	W1004 20-20-0 25C 2
16	1	AL1000H	WINDUP SPRING	36	1	W1004_20-20-0_25C-2	W1004 20-20-0 25C 2
17	1	W1004_20-20-0_25C-2	WINDUP SPRING	37	2	W1004_20-20-0_25C-2	W1004 20-20-0 25C 2
18	2	W1004_20-20-0_25C-2	WINDUP SPRING	38	1	W1004_20-20-0_25C-2	W1004 20-20-0 25C 2
19	1	W1004	WINDUP SPRING	39	1	W1004_20-20-0_25C-2	W1004 20-20-0 25C 2
20	1	W1004	WINDUP SPRING	40	4	W1004_20-20-0_25C-2	W1004 20-20-0 25C 2

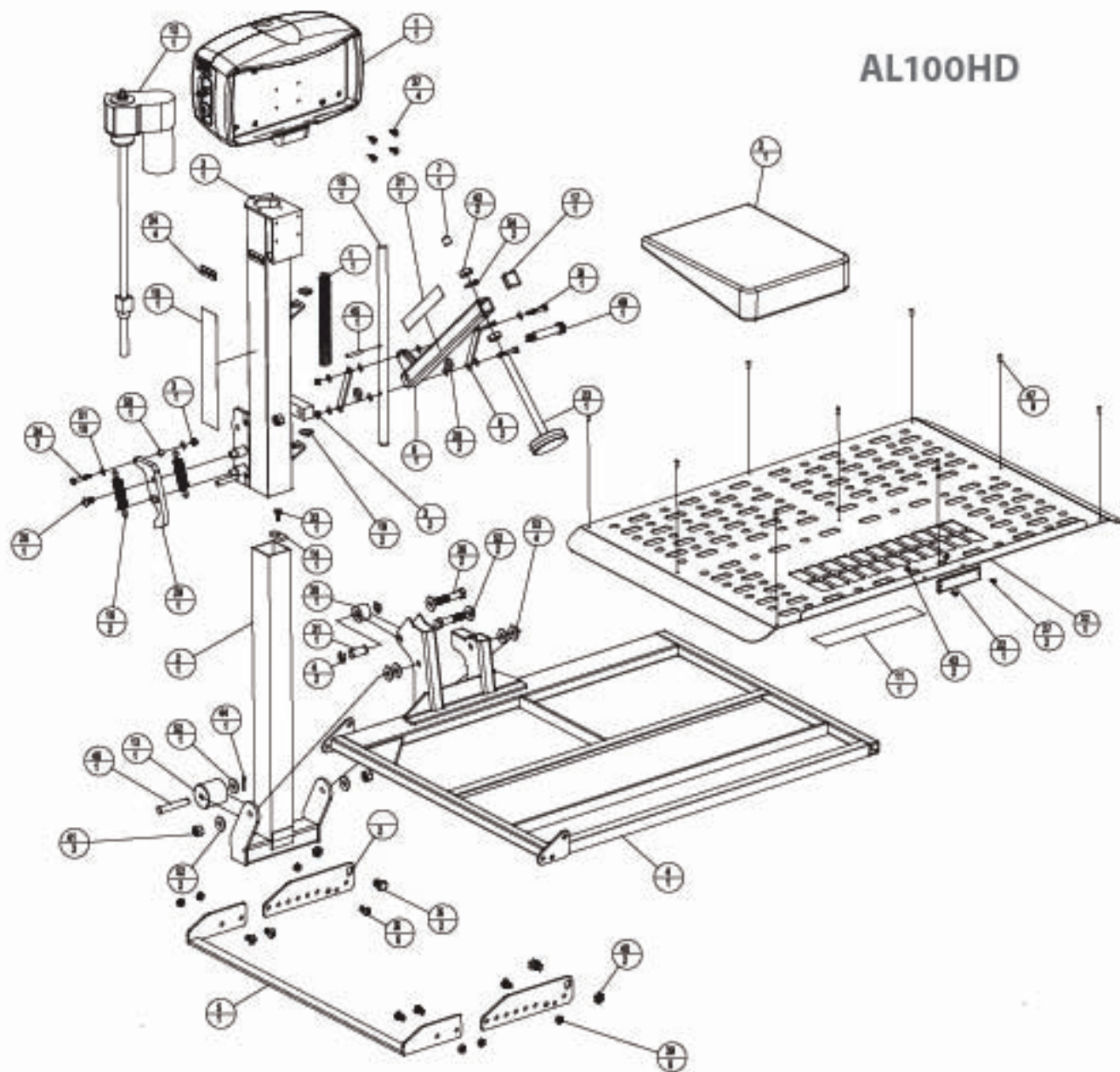
Exploded Views SECTION 2 : INSTALLER

AL585SS



FUSE AND PART 2 AL585SS			
P/N	QTY	PART NO.	DESCRIPTION
1	1	200-24-01-A	MOTOR COVER, ASSEMBLY, OUTSIDE LEFT
2	1	201-24-08-C	ONE ROLLER
3	1	200-24-18-C	OUTER TUBE
4	1	200-20-05-C	PLATFORM
5	1	200-20-04-C	HOLD DOWN PIN - TOP
6	1	200-24-13-C	F FRAMEHOLD DOWN PIN BRACKET
7	1	MS-24-03-A	28 2.5MM HE DR REFLECTING STRIP R
8	1	MS-14-13-A	POWER ON/OFF STRIP R
9	1	AL4000	FORWARDER (R/F) ON LEAD
10	1	AL4000-02	ACT LEVER
11	1	AL4000	ROLLER/SLIDER
12	1	AL4000	TR. AC SLIDER
13	1	AL4000	STRIPER, OUTSIDE LEFT
14	2	AL4100	SPRINGER SPRING
15	1	AL400	WATERPROOF PACE
16	1	AL4000	LABEL SPRING/ARMOR
17	1	MS-2-27-18-1-20-02-AP	BUTTONHEAD 20 X 18 (L) 20 SS
18	2	COLLAR 1/25 X 1/8 P-2	SHOFT COLLAR, 1/16" BORE
19	1	MS-10	JOINT

ASSEMBLY PARTS AL585SS			
P/N	QTY	PART NO.	DESCRIPTION
20	1	MS004	ROLLER
21	1	MS005	CLAMP PIN
22	1	MS00001	1 HANDLE SPRING PIN/SET OF PIN, BLUE
23	1	MS1001	TRAY/STICKER
24	1	MS1002	TRAY/STICKER
25	1	MS1003	1/25 DIA 1/8" X 20" CP
26	1	MS-25-25-2-25-AP-2	MS-25-25-2-25-AP-2
27	1	MS-25-25-1-25-2	MS-25-25-1-25-2
28	2	MS-25-25-2-25-2	MS-25-25-2-25-2
29	4	MS-10-2-25-2	MS-10-2-25-2
30	3	MS-10-25-04-000-2	MS-10-25-04-000-2
31	2	MS-10-25-04-000-2	MS-10-25-04-000-2
32	1	MS-10-1-000-00	COTTER PIN
33	1	MS-20-2-25-2	CLAMP PIN 1/16" X 1/2", CP
34	2	MS-20-2-25-2	CLAMP PIN 1/16" X 1/2", CP
35	2	MS-25-25-2-25-2	MS-25-25-2-25-2
36	1	MS-25-25-2-25-2	MS-25-25-2-25-2
37	2	MS-25-25-2-25-2	MS-25-25-2-25-2
38	3	MS-25-25-2-25-2	MS-25-25-2-25-2
39	4	MS-25-25-2-25-2	MS-25-25-2-25-2

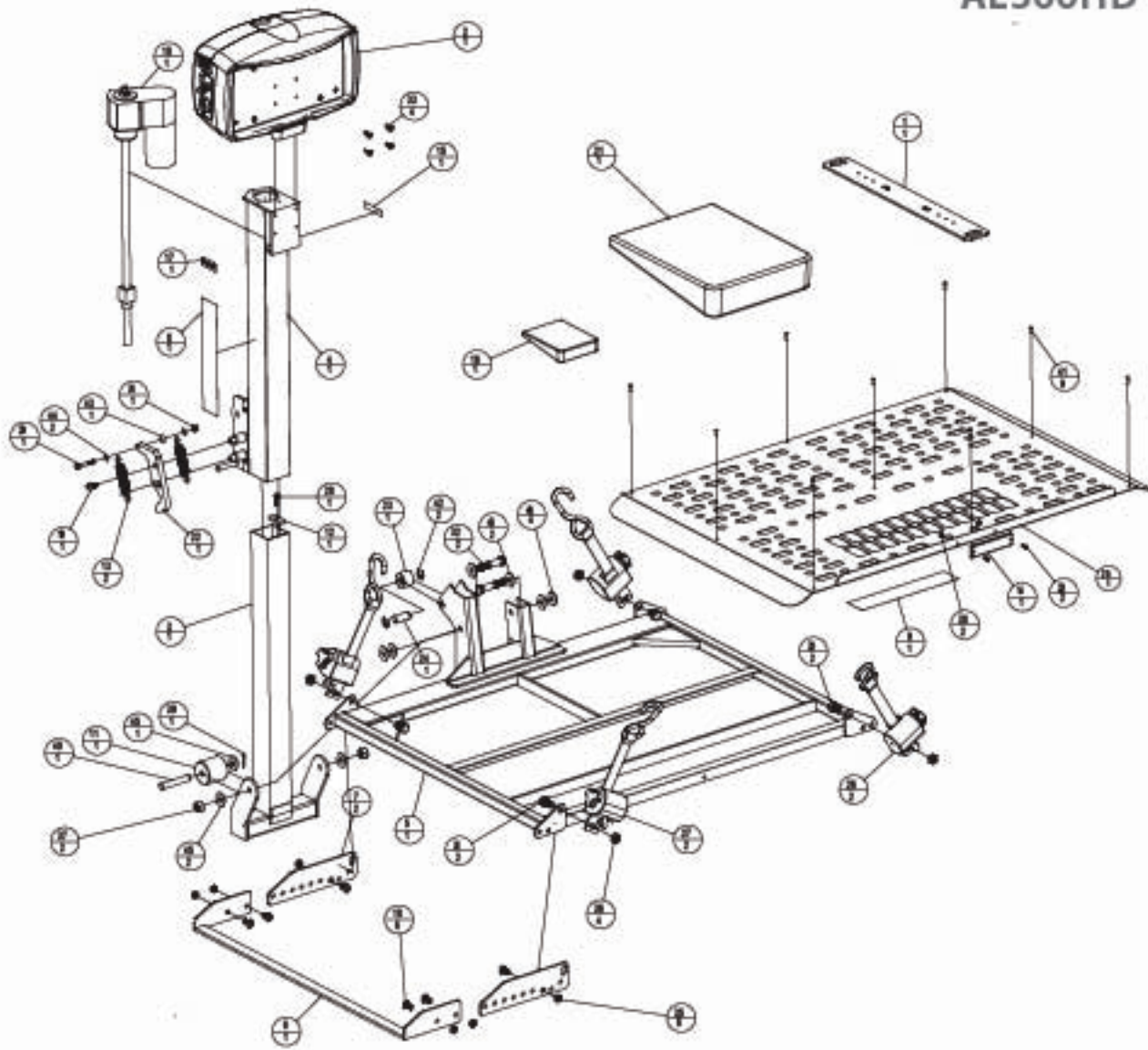


AL100HD

ITEM	QTY	PART NO.	ASSEMBLY PARTS	DESCRIPTION
1	1	230401-A		MOTOR COVER ASSEMBLY OUTSIDE LIFT
2	1	312406-C		INNER TUBE
3	1	312406-C		OUTER TUBE
4	1	312406-C		ALUMINUM PLATFORM
5	1	312406-C		EXTENDED CRADLE BAR
6	1	312406-C		HOLD DOWN ARM
7	1	410406-A		WHL. CAP FOR 100 D5110
8	2	312406-C		SPEAKER BAR BRACKET
9	2	312406-C		BAR, LMR, SWP
10	1	312406-A		NO OUTSIDE PROXIMITY
11	1	312406-A		STICKER, PLASFORM
12	1	AA101002		ACCURATOR
13	1	AA1010		ROLLER PDM LMRW
14	1	AA1010		TIRE, ACTUATOR
15	1	A.A1011T		HOLD DOWN ARM ROD
16	2	A.A1012		EXTENSION SPRING
17	1	A.A1013		INSIDE, 1/4" BLACK PLATE
18	1	AA1013		COMPRESSOR SPRING
19	2	AA1013		HYLUMAR BEARING-3/4"
20	2	AA1000P		HOLD DOWN ARM WASHER
21	1	AA1016		STICKER, CAUTION HOLD DOWN ARM
22	1	AA1016		RED LABEL, MOTOR
23	1	AA1110		HOLD DOWN FOOT
24	4	AA1010		WHEEL, SIGNAL NUMBER
25	1	BKCS4 21-45-1 75-30		BUTTON HEAD 364 X 53 X 55
26	1	BKCS4 21-45-1 840-40P		BUTTON HEAD 364 X 53 X 55
27	2	BKCS4 21-45-1 50-30		BUTTON HEAD, 36-34 X 53, 30

ITEM	QTY	PART NO.	ASSEMBLY PARTS	DESCRIPTION
28	1	H32411A		HEXAGON NUT
29	1	H3010		WASHER
30	1	H3010		ROLLER
31	1	H3010		CLEVER PIN
32	1	H3010		ALUMINUM PLATE
33	1	H3010 21-45-1 75P-2		HEX NUT, 5/16 X 1 1/2, 2P
34	2	H3010 21-45-1 75-2		HEX NUT, 5/16 X 1 1/2, 2P
35	2	H3010 21-45-1 75-2		HEX NUT, 5/16 X 1 1/2, 2P
36	2	H3010 21-45-1 50-2		HEX NUT, 5/16 X 1 1/2, 2P
37	4	H3010 21-45-1 75-2		HEX NUT, 5/16 X 1 1/2, 2P
38	2	H3010 21-45-1 75-2		HEX NUT, 5/16 X 1 1/2, 2P
39	5	H3010 21-45-1 75-2		HEX NUT, 5/16 X 1 1/2, 2P
40	2	H3010 21-45-1 75-2		HEX NUT, 5/16 X 1 1/2, 2P
41	3	H3010 21-45-1 75-2		HEX NUT, 5/16 X 1 1/2, 2P
42	2	H3010 21-45-1 75-2		HEX NUT, 5/16 X 1 1/2, 2P
43	2	H3010 21-45-1 75-2		HEX NUT, 5/16 X 1 1/2, 2P
44	1	PM4 10-1 20-CO-06		COTTER PIN
45	1	PM4 10-1 20-SP-2		ROLLER, 5/16 X 1 1/2, 2P
46	1	PM4 10-1 20-0-2		CLAYTON 10 X 7 1/2, 2P
47	8	H3010 21-45-1 75-2		HEX NUT, 5/16 X 1 1/2, 2P
48	2	PM4 10-1 20-0-2		HEX NUT, 5/16 X 1 1/2, 2P
49	1	PM4 10-1 20-0-2		HEX NUT, 5/16 X 1 1/2, 2P
50	1	PM4 10-1 20-0-2		HEX NUT, 5/16 X 1 1/2, 2P
51	30	W314 10-1 20-0-2 041140		WASHER, FLAT, 10 X 50
52	5	W314 10-1 20-0-2 041140		WASHER, FLAT, 10 X 50
53	4	W314 10-1 20-0-2 1140		WASHER, FLAT, 10 X 50
54	2	W314 10-1 20-0-2		WASHER, SPLOT LOCK, 10 X 50

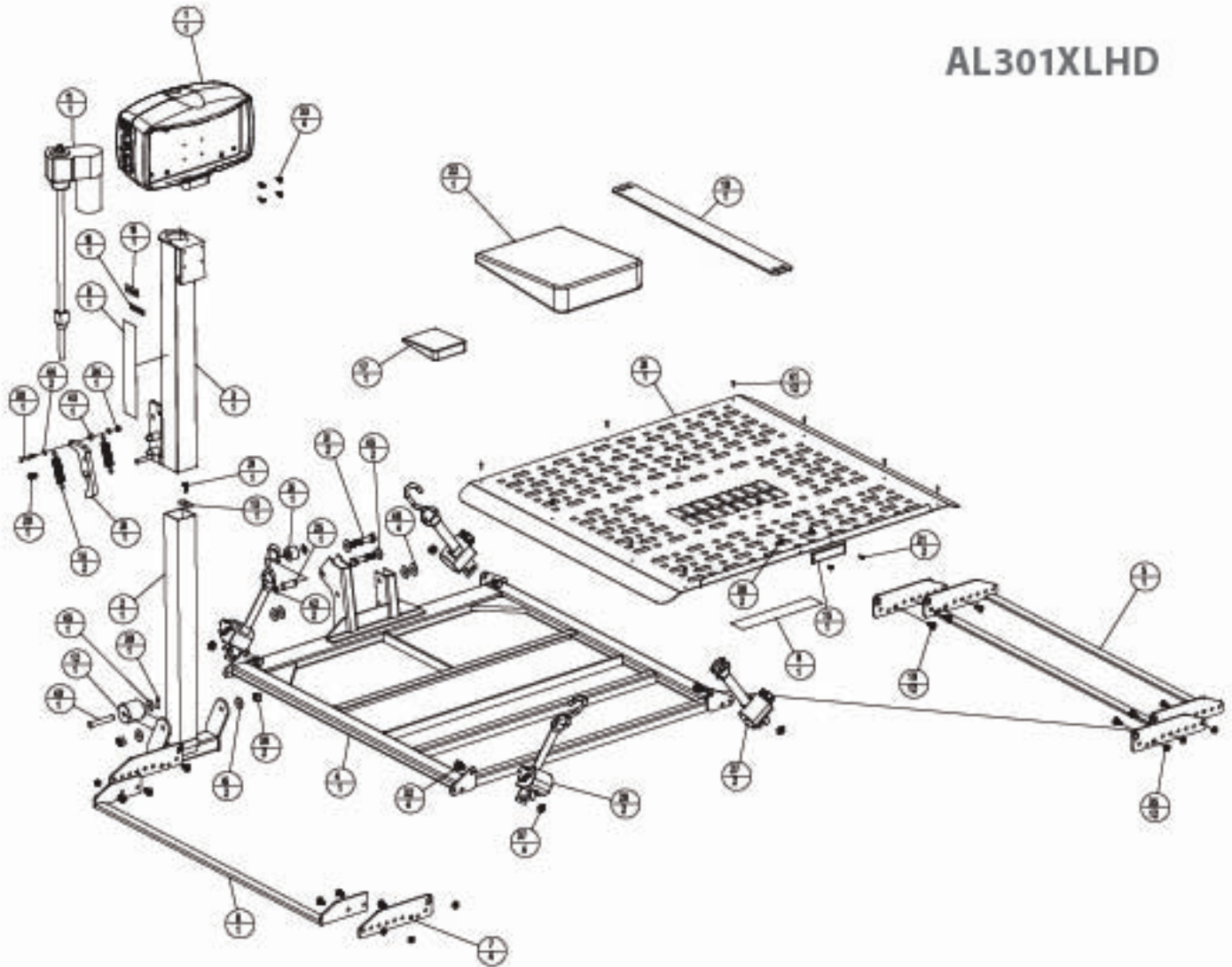
AL300HD



ITEM	QTY	PART NO.	ASSEMBLY PARTS	DESCRIPTION
1	1	99-3P9AC		3" ANCHOR PLATE
2	1	20-2A1-A		WORD R CORNER ASSEMBLY, OUTSIDE LEFT
3	1	21-2A9-C		INSERT TUBE
4	1	20-2A10-C		OUTER TUBE
5	1	20-2A11-C		HD FLAP OPEN
6	1	20-2A9-C		OUTER TUBE
7	2	21-2A9-C		SPREADER BAR BRACKET
8	1	99-2A1-A		HD OUTSIDE LIFT STRIKER
9	1	99-2A1-A		STRIKER PLATFORM
10	1	ALA100RFD2		ACTUATOR
11	1	ALA1002		ROLLER 2" DIA/3MM
12	1	ALA1005		TIRE ACTUATOR
13	2	ALA1100		EXTENSION SPRING
14	1	ALA1004		RED REFLECTOR
15	1	ALA1006		PARENT STRIKER
16	1	ALA100		LEVEL HARDWARE KIT
17	1	ALA1005		LEVEL SIGNAL NUMBER
18	8	HC04 20-16-0 75-00		BUTTON HEAD, 20-16-X 0.75, 00
19	1	HC04 20-16-1 0404P		BUTTON HEAD 20-16-X 1.00, 00
20	2	HC04 20-16-0 25-00		BUTTON HEAD, 20-16-X 0.25, 00
21	1	H530A1-A		HD HARDWARE PACK
22	1	H5 00		JOIM
23	1	H4 00H		ROLLER

ITEM	QTY	PART NO.	ASSEMBLY PARTS	DESCRIPTION
24	1	H1M6 5		CLUBS PIN
25	1	H1M6 7		ALUMINUM PLATE
26	2	H5 00 0		LEFT HAND, O-RING KIT - BLUE
27	2	H5 00 0		RIGHT HAND, O-RING KIT - BLUE
28	1	HC04 20-16-0 75APZ		HD: HEAD, 1.00 X 0.75, 2P
29	1	HC04 20-16-1 75-2		HD: HEAD, 1.00 X 1.00, 2P
30	2	HC04 20-16-0 75-2		HD: HEAD, 1.00 X 0.75, 2P
31	2	HC04 20-16-0 75-2		HD: HEAD, 1.00 X 0.75, 2P
32	2	HC04 20-16-1 75-2		HD: HEAD, 1.00 X 1.00, 2P
33	4	HMTS 14-0 75-2		HEX NUTS, #4 SGL, FORM, 0.75, 2P
34	1	MUS 20-04HYLOCK-2		MUT, HYLOCK, 1.00 X, 2P
35	2	MUS 20-16-HYLOCK-ME-Z		MUT, HYLOCK, 20-16, 2P
36	4	MUS 20-16-HYLOCK-ME-Z		MUT, HYLOCK, 20-16, 2P
37	2	MUS 20-04HYLOCK-2		MUT, HYLOCK, 1.00 X, 2P
38	2	MUS 20-04HYLOCK-2		MUT, HYLOCK, 1.00 X, 2P
39	1	FR-0 0-1 000-00		COTTER PIN
40	1	FR-0 0-0 000-00		CLUBS PIN, 0.75 X 1.25, 2P
41	2	FR-0 0-0 000-00		R-NUT
42	2	FR-0 0-0 000-00		R-NUT
43	1	SPC-0 20-0 000-00		SPACER, 20-16 X 0.000, 000
44	2	WASH 20-0 0-0 000-00		WASHER, FLAT, 20, 00
45	2	WASH 20-0 0-0 000-00		WASHER, FLAT, 20, 00
46	4	WASH 20-0 0-0 12H		WASHER, FLAT, 12, H/LOH

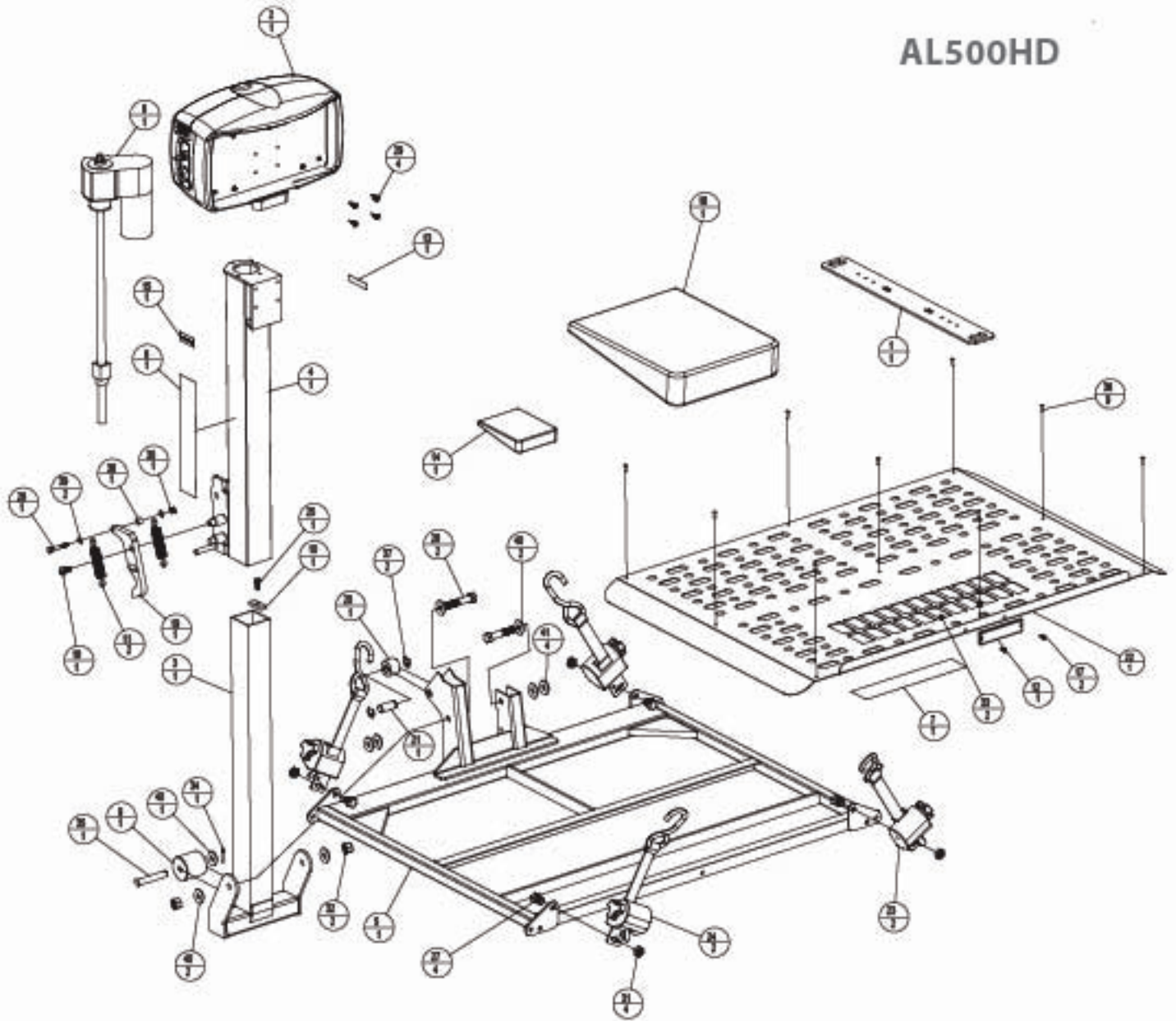
AL301XLHD



ASSEMBY PARTS			
ITEM	QTY	PART NO.	DESCRIPTION
1	1	353A01A	MOTOR COVER, ASSEMBLY, OUTSIDE LIFTS
2	1	36-2A0C	INNER TUBE
3	1	36-2A0C	OUTER TUBE
4	1	36-2A0C	XLHD PLATFORM
5	1	36-2A0C	ALIGN FRONT WHEEL CRADLE
6	1	36-2A0C	R. WHEEL EXTENDED CRADLE BRG
7	4	36-2A0C	SPREADER BAR BRACKET
8	1	353A01A	HD OUTSIDE LIFT TIECHER
9	1	353A01A	STICKER, PLATFORM
10	1	AL301	ANCHOR PLATE, STEEL
11	1	AA100P020	ACTUATOR
12	1	AA100L	ROLLER, 2" DIA BRASS
13	1	AA100R	TIE, ACTUATOR
14	2	AA100S	SPACER, 1/2" DIA
15	1	AA100H	RED REFLECTOR
16	1	AA100B	PARENT'S TIECHER
17	1	AA100	U-BOLTS AND WASH W/ NUT
18	1	AA100L	LABEL, SERIAL NUMBER
19	12	BKCS6 32-38-4 7545	BUTTON HEAD 3/16" 3/16, SS
20	1	BKCS6 32-38-4 38-40P	BUTTON HEAD 1/8" 1.38SS
21	2	BKCS1 30-1 3455	BKCS FRONT XL PLATFORM SS
22	1	H03A01-A	HD HIGH CHAIR PACK
23	1	H100	JCM

ASSEMBY PARTS			
ITEM	QTY	PART NO.	DESCRIPTION
24	1	H004	ROLLER
25	1	H004E	CLEVIS PIN
26	1	H005S	ALIGNMENT W/ SH
27	2	H000B	LEFT HAND, OUTDRUM - BLUE
28	2	H000B	RIGHT HAND, OUTDRUM - BLUE
29	1	H0CS6 35-38-4 7545P-Z	HEXHEAD, 3/16" X 1.75, 3P
30	1	H0CS6 35-38-4 75Z	HEXHEAD, 3/16" X 1.75, 3P
31	2	H0CS6 38-42-4 94Z	HEXHEAD, 1/2" X 2.50, 3P
32	4	H0CS6 38-42-4 75-Z	HCS, 1/2" 3/16 GRADE 5 STEEL
33	4	H0CS6 38-42-4 75Z	HEXWASHER, 1/2" X 1/8" SELF DRILL, 3P L, 3P
34	1	H076 38-42-4 400C-Z	NUT, W/ LOCK, 3/16, 3P STEEL
35	12	H076 32-38-4 400C-WB-Z	W/ LOCK NUT, TIE, 3/16, 3P
36	2	H076 38-42-4 400C-Z	NUT, W/ LOCK, 1/2, 3P STEEL
37	4	H076 38-42-4 400C-WB-Z	TIE W/ NUT, W/ LOCK, 1/2, 3P
38	2	H076-40-4 400C-65	W/ LOCK 3/16 SS
39	1	FW4 32-1 3404SS	COTTER PIN
40	1	FW4 32-1 340Z	CLEVIS PIN 1/2" X 1/2" L, 3P
41	12	FW-38-38	RIVET
42	2	RR4 3340-Z	5-C/8" 3/8" SHAFT
43	1	SPCR4 354 334-1 114	SPCR, 3/16" X 1/8" DIA SPRING
44	2	W004 35-1 324 3804SS	WASHER, FLAT, 3/8", SS
45	1	W004 35-1 32-4 12-24 SS	WASHER, FLAT, 1/2", SS
46	4	W004 38 134 12-24P	WASHER, FLAT, 1/2", PLAIN C

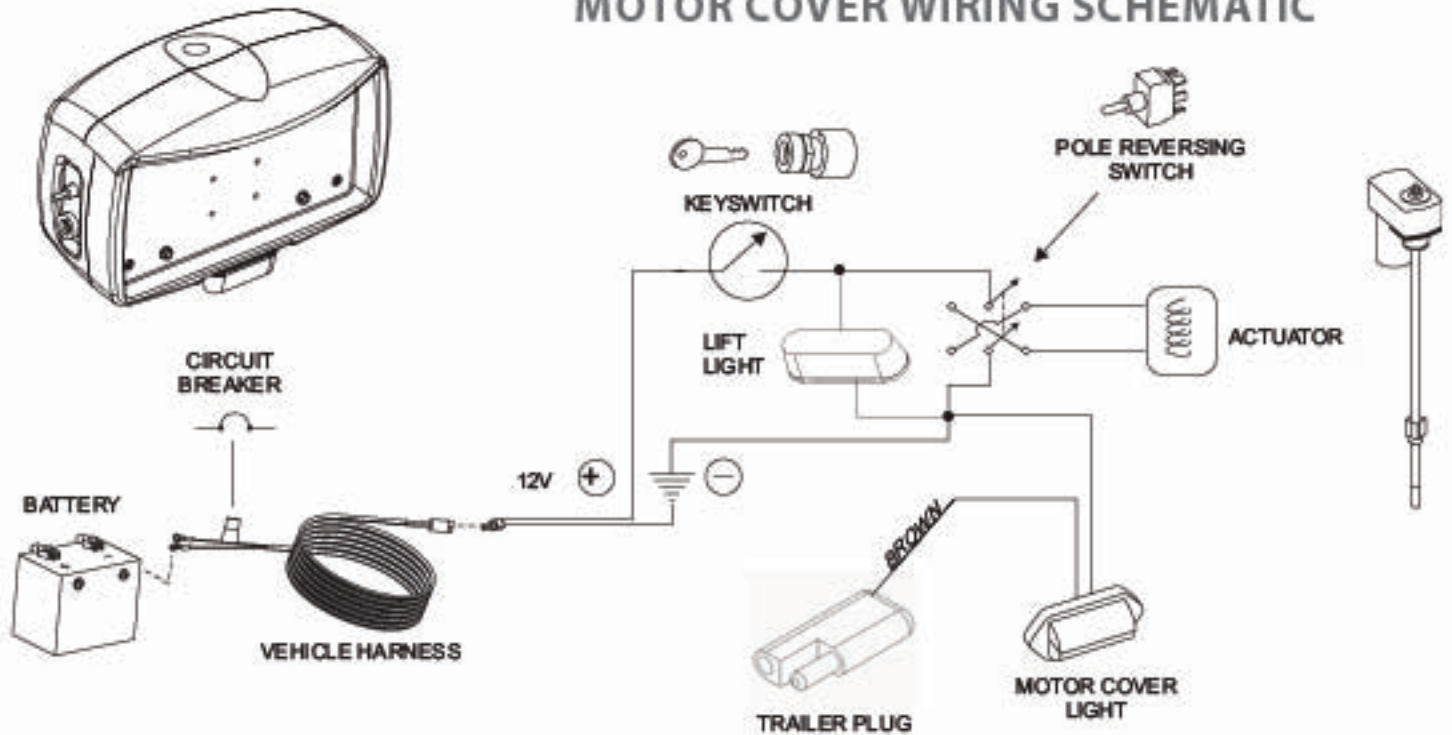
AL500HD



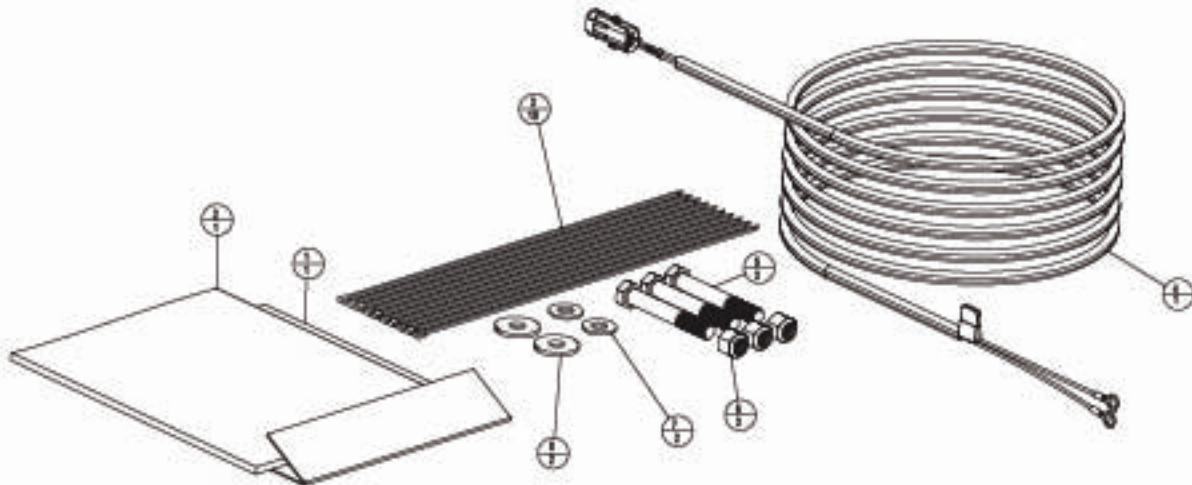
ITEM	QTY	PARTNO.	DESCRIPTION
1	1	1B-3P3C	3P ANCHOR PLATE
2	1	3B-3A1A	MO TOR COVER ASSEMBLY, OUTSIDE LEFT
3	1	2P12A8C	INNER TUBE
4	1	2B2A8C	OUTER TUBE
5	1	2B-3M1C	1D PLATFORM
6	1	3B-3A1A	MO TOR COVER BY STICKER
7	1	3B-3A8A	STICKER, PLATFORM
8	1	ALA185REV2	ALUMINUM
9	1	ALA185	ROLLER 2" DIA ALUMINUM
10	1	ALA185	3IN. ACTUATOR
11	2	ALA185	EXTENSION SPRING
12	1	ALA185	RED REFLECTOR
13	1	ALA185	WEIGHT COVER
14	1	ALA185	UNLATCH HARDWARE KIT
15	1	ALA185	LABEL, SERIAL NUMBER
16	1	BHCS-27-16-1 360HP	BUTTON HEAD 3 - 1/8 X 1/8 36
17	2	BHCS-16H-4 36-36	BUTTON HEAD, PH-24 X 1/8 36
18	1	H3-3M1-A	MO TOR HARDWARE PACK
19	1	HT185	JOINT
20	1	H38H	ROLLER

ITEM	QTY	PARTNO.	DESCRIPTION
21	1	H38H	CLEVER RH
22	1	H38H7	ALUMINUM PLATE
23	2	H38H6	LEFT HAND, G-STRIP - BLUE
24	2	H38H6	RIGHT HAND, G-STRIP - BLUE
25	1	H3CS-25-25-2 75HP-2	HEX HEAD, 1/4X1X 1/2, 2P
26	1	H3CS-24-1 75-2	HEX HEAD, 1/4X1X 1/2, 2P
27	4	H3CS-24-2 75-2	HEX HEAD, 1/8X1X 1/2, 2P
28	2	H3CS-24-2 75-2	HEX HEAD, 1/8X1X 1/2, 2P
29	4	H3CS-14-2 75-2	HEX WASHER, PH SELF DRILL, 0.75, 3P
30	1	NUT-25-24XLOCK-2	NUT, W/LOX, 1/4X1, 2P
31	4	NUT-25-15-HL-LOCK-H3E-2	THIN NUT, W/LOX, 1/8-1/2, 2P
32	2	NUT-25-24XLOCK-2	NUT, W/LOX, 1/8X1, 2P
33	2	NUT-24X4XLOCK-2	NUT, W/LOCK, PH-3/4, 3P
34	1	PH-2 1/2-1 360-55	COTTER PIN
35	1	PH-2 1/2-1 360-2	CLEVER RH 1/2" X 1/2", 2P
36	6	PH- 1/8-55	RIVET
37	2	PH-2 1/2-1 360-2	COTTER PIN
38	1	SPCR-2 25-2 164-2 1/4-H	SPACER, 1/4" X 1/8" X 1/4" X 1/8"
39	2	WASHE 24 1/8-2 1/4-1/8	WASHER, FLAT, 1/2", 36
40	5	WASHE 24 1/8-2 1/4-1/8	WASHER, FLAT, 1/2", 36
41	4	WASHE 1/4 1/8-2 1/4-1/8	WASHER, FLAT, 1/2", 36

MOTOR COVER WIRING SCHEMATIC



TYPICAL HARDWARE PACK CONTENTS



		ASSEMBLY PARTS	
ITEM	QTY	PART NO.	DESCRIPTION
1	1	NA	WARRANTY FORM
2	1	NA	OWNER MANUAL
3	10	0744-BLK	CABLE, 1/4" BLACK
4	1	1810	3/8 GAGE 18-114 NBS WIRE
5	2	WHS-2 18-114 18-2	HD NUTCAPSCREW 1/2 X 1 1/2, 2P
6	2	WHS-2 18-114 18-2	NUT BLOCK, 18-114, 2P
7	2	WHS-2 18-114 18-2	WASHER, FLAT, 1/2" X 1/2" OD X 3/16", 2P
8	2	WHS-2 18-114 18-2	WASHER, FLAT, 1/2" X 1/2" OD X 3/16", 2P



VEHICLE LIFTS THREE YEAR TRANSFERABLE LIMITED WARRANTY

PLEASE FILL OUT ALL FIELDS AND RETURN A COPY.

Fax completed form to 1-866-234-5680 or mail to Harmar, ATTN: Warranty Department, 2075 47th Street, Sarasota, Florida 34234. You may also register online at www.harmar.com. Keep a copy of this form for your records.

Harmar Mobility warrants its lift products against defects in material, mechanical and electrical components (parts), excluding labor cost, batteries, paint and covers, for a period of three (3) years from date of retail purchase, provided that the products have been installed, maintained and operated properly. This warranty does not cover defects in vehicles on which Harmar products are installed or defects in Harmar products caused by defects in any part of the vehicle upon which the product is installed. This warranty does not cover maintenance or adjustments. Harmar will not be charged for labor, consequential damage or repair expenses. Harmar will not, under any circumstances, be liable for the loss of the use of its products or loss of time. This warranty becomes null and void if the product has been lost, damaged by accident, over-stressed, misused and/or neglected, or if the product has been modified in any way. Defective parts must be returned, prepaid, to Harmar at the address listed above, for inspection prior to credit, repair or replacement, at Harmar's option. Harmar's sole obligation and the exclusive remedy under this warranty is limited to such credit, repair or replacement.

THIS EXPRESS WARRANTY IS IN LIEU OF ALL OTHER WARRANTIES OR CONDITIONS, INCLUDING ALL IMPLIED WARRANTIES OR MERCHANTABILITY OR FITNESS FOR A PARTICULAR PURPOSE, AND THERE ARE NO WARRANTIES THAT EXTEND BEYOND THE DESCRIPTION OF THE LIMITED WARRANTY DESCRIBED HEREIN. THIS WARRANTY GIVES YOU SPECIFIC LEGAL RIGHTS AND YOU MAY ALSO HAVE OTHER LEGAL RIGHTS WHICH VARY FROM STATE TO STATE.

PRODUCT INFORMATION

Model: _____
Serial Number: _____
Purchase Date: _____

INSTALLER INFORMATION

Company Name: _____
Contact Name: _____
Address: _____

Phone: _____
Fax: _____
Email: _____

APPLICATION INFORMATION

Scooter Power Chair Wheelchair
Year: _____
Manufacturer: _____
Model: _____

PURCHASER INFORMATION

Name: _____
Address: _____

Phone: _____
Email: _____

ADDITIONAL INFORMATION

How did you hear about Harmar?

- Harmar Dealer Friend or Acquaintance
 Internet Saw Harmar product somewhere
 Magazine Other _____
Which _____

Do you have internet access? Yes No

I purchased my Harmar lift because of?

- Style/Appearance
 Harmar Representative
 Previous Experience
 Ease of Use
 Recommendation
 Price/Value

Outside Lifts

Installation & Owner's Manual



Harmar.

America's Lift Leader™

www.harmar.com | 800-833-0478

2075 47th Street Sarasota, Florida 34234