

INSTRUCTIONS FOR MODULAR ENTRY MAT

BEFORE YOU BEGIN:

1. Maximum weight limit is 850 pounds.
2. Read and follow all instructions before use. Do not use if mat is damaged or unstable.
3. For use with wheelchairs and scooters only. Mat is intended for residential use.
4. **▲ WARNING:** Use mat only with a qualified helper and always use your lap belt.
5. **▲ WARNING:** It is important that you refer to your equipment's (wheelchair or scooter) Owner Guide for the proper degree of incline/decline and chair direction before using. Never exceed its recommendations.

FITTING A MODULAR ENTRY MAT: MAT can be easily trimmed to accommodate lower heights and narrower widths and, if necessary, notched to suit the doorjamb configuration. Alternately, mat can be combined with an additional Modular Entry Mat and one set of Rubber Risers to create a maximum height of 4¾".

1. If door threshold is equal to the height of the Modular Entry Mat (2½" high), use mat as is (see DIAGRAM 2, section A).
2. If door threshold is less than the height of the Modular Entry Mat (2½" high), trim mat to the desired height, depth and/or width using a reciprocating saw, razor knife, or hand saw (DIAGRAM 1). **▲ WARNING:** Use caution when operating any non-manual saw as serious injury may result due to unexpected binding or pinching of rubber mat material. Always follow tool manufacturer's safety guidelines.
3. If door threshold is greater than the height of the Modular Entry Mat (2½" high), two mats (as shown in DIAGRAM 2, sections A & B) along with one pair of Threshold Risers (DIAGRAM 2, section C) can be combined to accommodate a rise up to 4¾" high.
 - a. When creating greater heights, an additional Modular Entry Mat (Section B of DIAGRAM 2) will be used. **NOTE:** With this configuration, Section A must remain at its original height (ok to trim width only).
 - b. Section B, shown in DIAGRAM 2, can be trimmed to the desired height, depth and/or width. If Section B is trimmed, Section C, which is used to increase overall height, needs to be trimmed to match the depth of Section B.
 - c. Secure Section B to Section C using supplied Phillips Head Screws.

SECURING THE MAT: It is recommended that the mat be securely attached.

1. ATTACHING TO WOOD

- a. Place mat in desired location and ensure that surface is free of dirt and debris.
- b. Secure mat using supplied Phillips head screws (2 each). Space screws evenly (see DIAGRAM 2 for placement) and drive until head is ¼" below the mat surface.

2. ATTACHING TO CONCRETE

- a. Place mat in desired location and ensure that surface is free of dirt and debris.
- b. Using a ¼" diameter masonry bit, drill a hole 2" deep 1" from the edges of the corners at the taper as shown in DIAGRAM 2. **NOTE:** Ensure the holes are free of any residue.
- c. Drive the supplied ¼" diameter mushroom head pin anchors (two each) into the holes with a hammer until the head is seated.

CLEANING AND MAINTENANCE:

1. At all times, keep mat clear of snow, ice, dirt, leaves, and other debris that may accumulate on the surface.
2. Clean mat with mild soap and warm water. Rinse well and use extra caution when mat surface is wet.

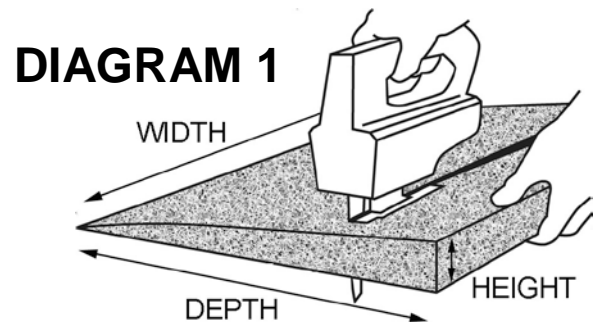
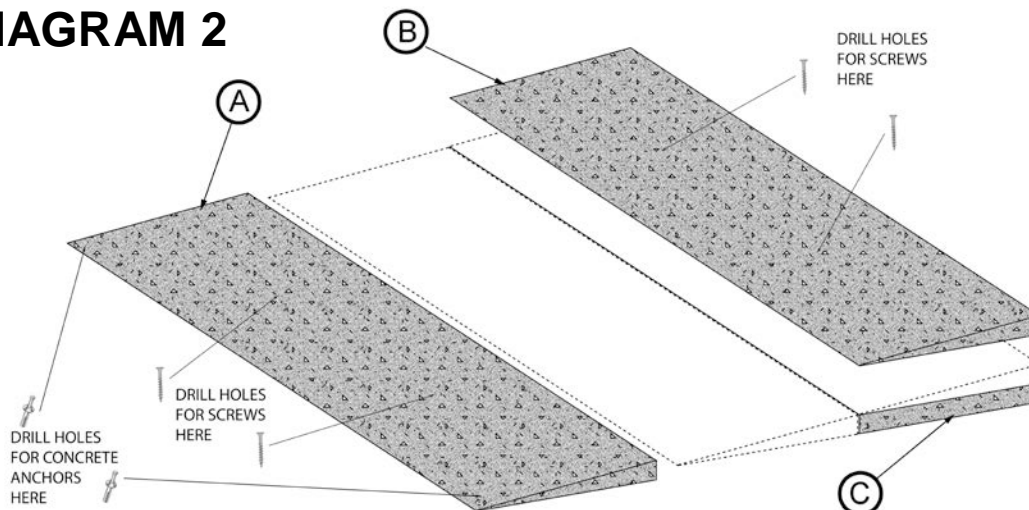


DIAGRAM 1

DIAGRAM 2



One-year limited warranty. Call 253-249-1101 for details.
© Homecare Products, Inc. All rights reserved.



INSTRUCTIONS FOR MODULAR ENTRY MAT CARGO WEDGE

BEFORE YOU BEGIN:

1. Maximum weight limit is 850 pounds.
2. Read and follow all instructions before use. Do not use if product is damaged or unstable.
3. Not intended for commercial use.

FITTING THE MODULAR ENTRY MAT CARGO WEDGE: The EZ-ACCESS Modular Entry Mat Cargo wedge can be easily trimmed to accommodate lower heights and narrower widths and notched to suit the desired configuration.

1. Measure height, width, and length of area to be fitted with the Modular Entry Mat Cargo wedge. NOTE: It is recommended that you create a cardboard template of the area before cutting.
2. Place template on top of Modular Entry Mat Cargo wedge and mark areas as shown in DIAGRAM 1.
3. Using a reciprocating saw, razor knife, or hand saw, trim as needed (DIAGRAM 2). **▲ WARNING:** Use caution when operating any non-manual saw as serious injury may result due to unexpected binding or pinching of rubber mat material. Always follow tool manufacturer's safety guidelines.
4. Place Modular Entry Mat Cargo wedge in recessed area of vehicle as shown in DIAGRAM 3.



DIAGRAM 1



DIAGRAM 2



DIAGRAM 3