

Installation Manual

ADDENDUM

This addendum replaces Section 6, Installing Ramp Guards, in the main manual titled *Titan Series Commercial Ramp System Installation Manual*.

6. INSTALLING RAMP GUARDS:

- 6.1 Ramp guards come in left and right pairs and are not interchangeable from side-to-side. For all ramp sections other than the starter section:
 - 6.1.1 Install the Ramp Guard Post Spacers over the 5/16"-18 studs protruding from the brackets previously installed on the ramp section with the long end of the spacer pointing up (FIG 29b).
 - 6.1.2 Attach the ramp guard to the ramp section by positioning the lower holes in the ramp guard posts over the studs.
 - 6.1.3 Once the guard is in place, place a 5/16"-18 nuts and 5/16" flat washers on each stud. Take up play with the nuts but do not tighten (this will help with alignment during handrail installation).
- 6.2 For the starter section, two of the three guard vertical posts are installed in the same manner. Secure the lowermost post using a 5/16"-18" x 2 3/4" carriage bolt inserted thru the holes in the ramp side rail and secured with a 5/16"-18 nut and 5/16" flat washer (FIG 30b).

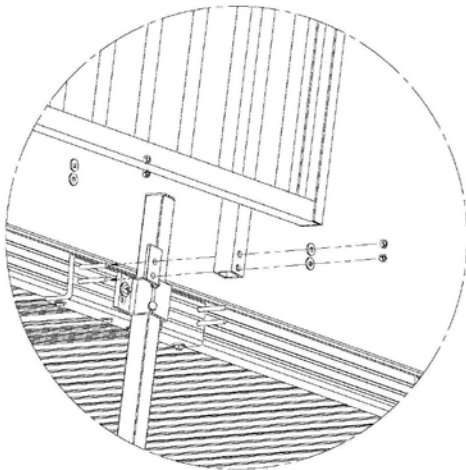


FIG. 29b

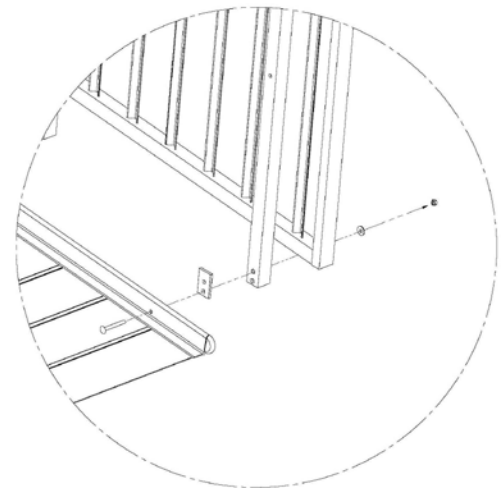
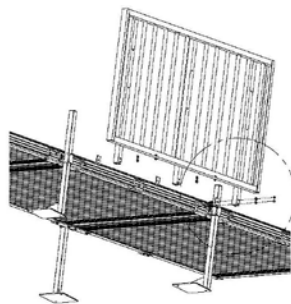


FIG. 30b