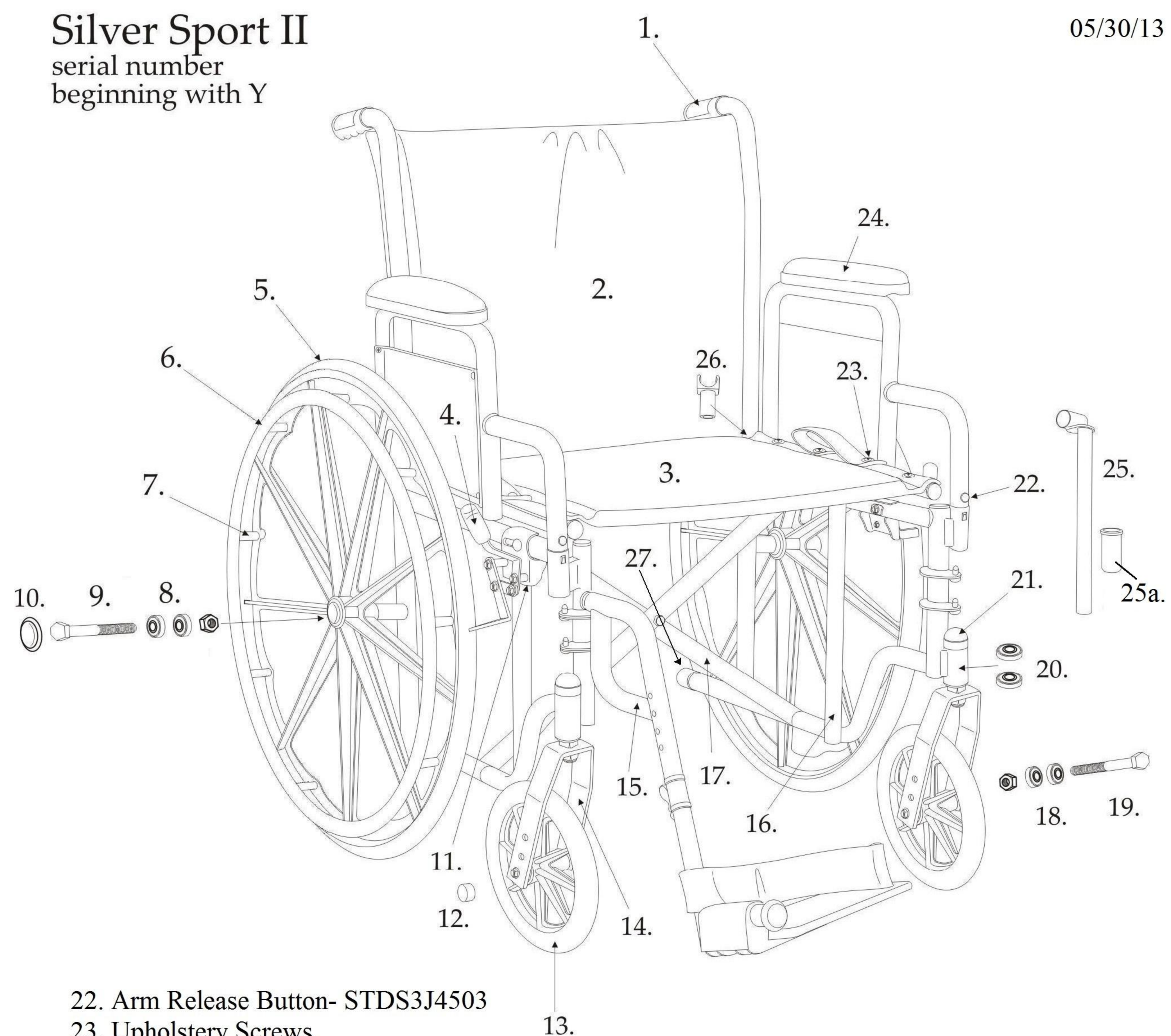


# Silver Sport II

serial number  
beginning with Y

1. Handgrip- WB 8036
2. Back Upholstery  
16"- STDS3J4606  
18"- STDS3J4608  
20"- STDS3J4602
3. Seat Upholstery  
16"- STDS3J4616  
18"- STDS3J4618  
20"- STDS3J4620
4. Brake Tip Round- STDS004601  
Sleeve- STDS8M4603
5. Rear Wheel- STDS3J2424
6. Hand Rim- STDS3J2400
7. Hand Rim Hdwr (set of 9)- STDS004609-9
8. Rear Wheel Bearing (11mm)- STDS2413
9. Rear Axle Bolt  
Detachable Arms- STDS3J2425  
Fixed Arms- STDS3J4625
10. Hub Cap- STDS3J2421
11. Brake Fixed Arms Left- STDS3J241L  
Right- STDS3J241R  
Detachable Arms Left- STDS8M462L  
Right- STDS8M462R
12. Axle Cap- STDS001000
13. Caster- STDS3J2432
14. Fork- STDS4Y4633
15. Footrest- STDS3J24SF  
ELR- LK3JELR
16. Sideframe Detachable Arms Left- STDS4Y46L1  
Right- STDS4Y46R1  
Fixed Arms Left- STDS4Y46L2  
Right- STDS4Y46R2
17. Cross Frame  
16"- STDS4Y46X6  
18"- STDS4Y46X8  
20"- STDS4Y46X2
18. Caster Bearing (8mm)- STDS3J2430
19. Caster Axle Bolt- STDS3J2431
20. Fork Stem Bearing (12.5mm)- STDS8M4601
21. Fork Stem Cap- STDS8M4651



22. Arm Release Button- STDS3J4503
23. Upholstery Screws  
Back or Seat (8 each)- STDS2015
24. Desk Arm Pad- STDSDSKVB  
Full Arm Pad- STDSFLVB  
Desk Arm Left- STDSSDDAL  
Right- STDSSDDAR  
Full Arm Left- STDSSDFAL  
Right- STDSSDFAR

25. Slide Tube & Bushing- STDS3J4601  
25a. Bushing- STDS002601
26. Seat Rail Guide Detachable arms- STDS1070  
Fixed Arms Front- STDS004602  
Rear- STDS1070
27. Tipping Sleeve- STDS3J2422

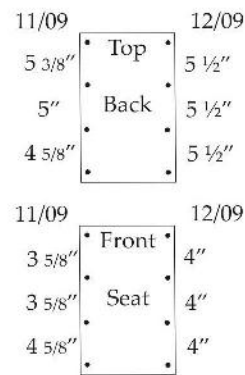
# Silver Sport II

serial number  
beginning with 8M & 4S

1. Handgrip- WB 8036
2. Back Upholstery
 

11/09 & Before	12/09 & After
16"- STDS8M4606	16"- STDS3J4606
18"- STDS8M4608	18"- STDS3J4608
20"- STDS8M4602	20"- STDS3J4602
3. Seat Upholstery
 

11/09 & Before	12/09 & After
16"- STDS8M4616	16"- STDS3J4616
18"- STDS8M4618	18"- STDS3J4618
20"- STDS8M4620	20"- STDS3J4620



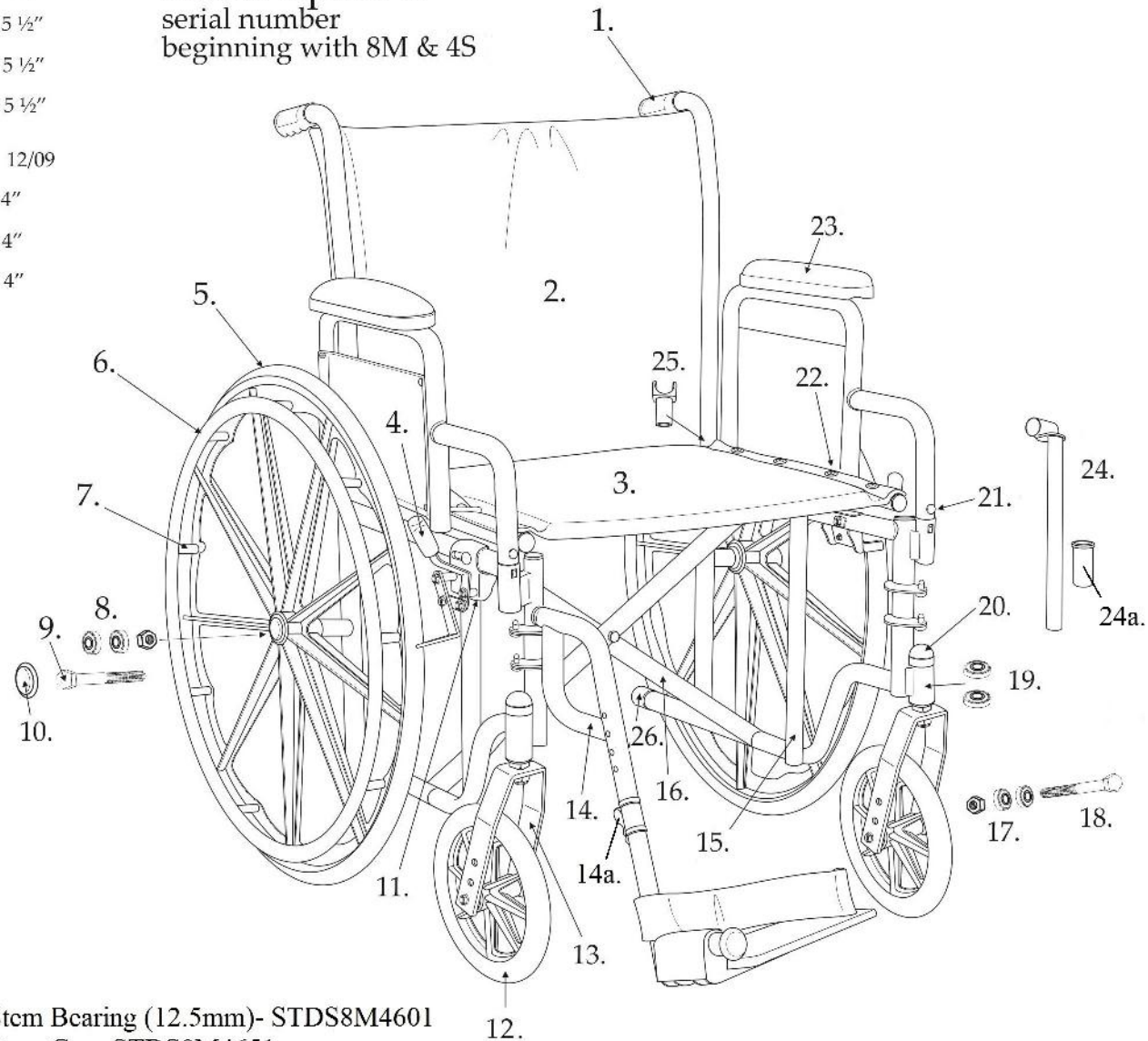
4. Brake Tip Round- STDS004601.  
Sleeve- STDS8M4603
5. Rear Wheel- STDS3J2424
6. Hand Rim- STDS3J2400
7. Hand Rim Hdwr (set of 9)- STDS004609-9
8. Rear Wheel Bearing (11mm)- STDS2413
9. Rear Axle Bolt
 

Detachable Arms- STDS3J2425
Fixed Arms- STDS3J4625
10. Hub Cap- STDS3J2421
11. Brake Fixed Arms Left- STDS3J241L  
Right- STDS3J241R  
Detachable Arms Left- STDS8M462L  
Right- STDS8M462R
12. Caster- STDS4S2432
13. Fork- STDS8M4633
14. Footrest- STDS3J24SF  
ELR- LK3JELR
- 14a. Footrest Adj Lever- STDS3J4502
15. Sideframe 8M scr #
 

Detachable Arms Left- STDS8M46L1	Right- STDS8M46R1
Fixed Arms Left- STDS8M46L2	Right- STDS8M46R2
- 4S scr #
 

Detachable Arms Left- STDS3J46L1	Right- STDS3J46R1
Fixed Arms Left- STDS3J46L2	Right- STDS3J46R2
16. Cross Frame (compare seat holes above)
 

11/09 & Before	12/09 & After
16"- STDS8M46X6	16"- STDS3J46X6
18"- STDS8M46X8	18"- STDS3J45X8
20"- STDS8M46X2	20"- STDS3J46X2
17. Caster Bearing (11mm)-STDS1011HD
18. Caster Axle Bolt- STDS8M4631



19. Fork Stem Bearing (12.5mm)- STDS8M4601
20. Fork Stem Cap- STDS8M4651
21. Arm Release Button- STDS3J4503
22. Upholstery Screws
 

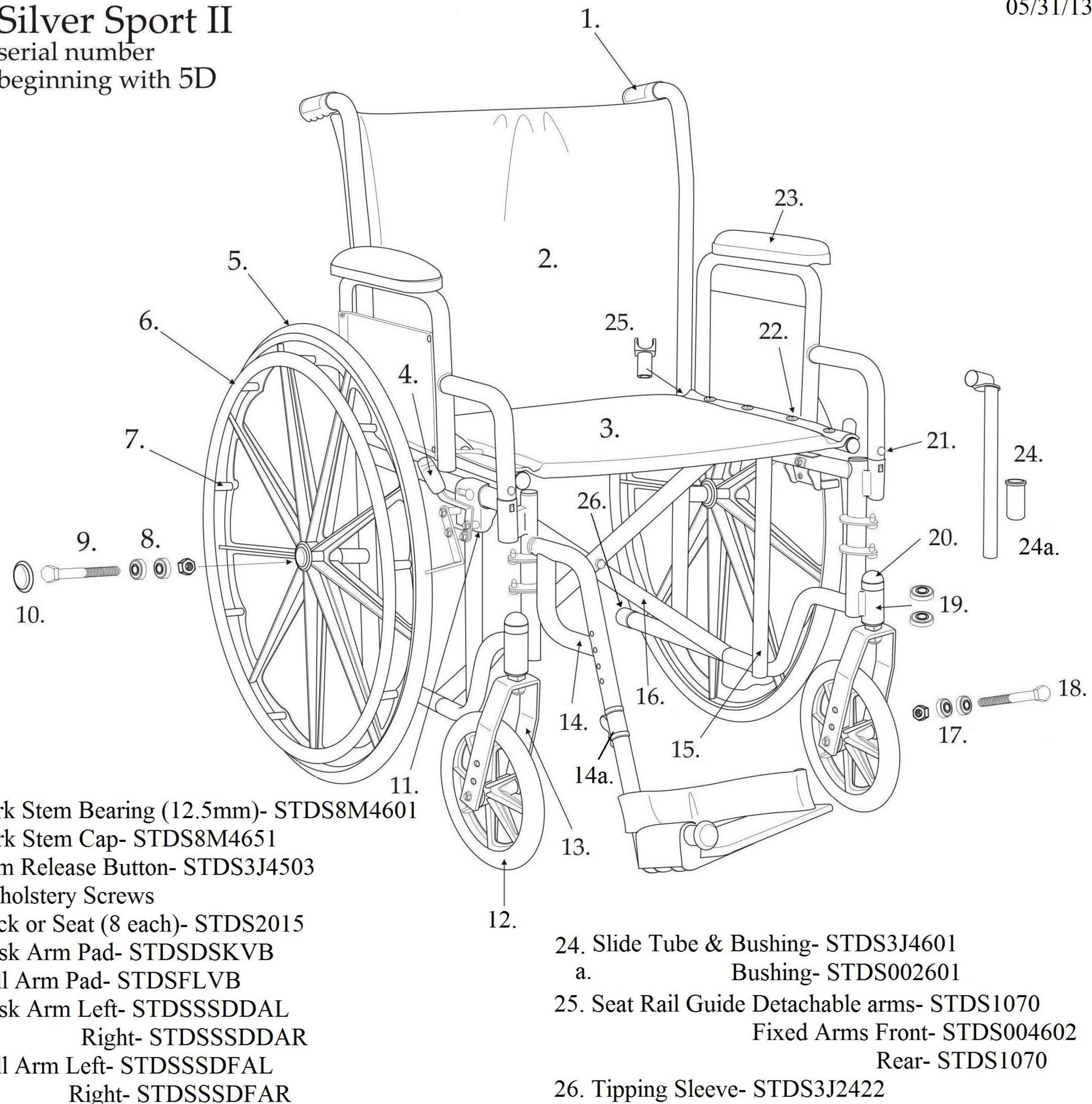
Back or Seat (8 each)- STDS2015
---------------------------------
23. Desk Arm Pad- STDS8M4633
 

Full Arm Pad- STDS8M4633	
Desk Arm Left- STDS8M4633L	Right- STDS8M4633R
Full Arm Left- STDS8M4633L	Right- STDS8M4633R

24. Slide Tube & Bushing- STDS3J4601
- 24a. Bushing- STDS002601
25. Seat Rail Guide Detachable arms- STDS1070  
Fixed Arms Front- STDS004602  
Rear- STDS1070
26. Tipping Sleeve- STDS3J2422

# Silver Sport II

serial number  
beginning with 5D



1. Handgrip- WB 8036

2. Back Upholstery

16"- STDS3J4606

18"- STDS3J4608

20"- STDS3J4602

3. Seat Upholstery

16"- STDS3J4616

18"- STDS3J4618

20"- STDS3J4620

4. Brake Tip Round- STDS004601.

Spring Assist- STDS5D4601

5. Rear Wheel- STDS3J2424

6. Hand Rim- STDS3J2400

7. Hand Rim Hdwr (set of 9)- STDS004609-9

8. Rear Wheel Bearing (11mm)- STDS2413

9. Rear Axle Bolt

Detachable Arms- STDS3J2425

Fixed Arms- STDS3J4625

10. Hub Cap- STDS3J2421

11. Brake Fixed or Detachable Arms

Left- STDS8M462L

Right- STDS8M462R

Spring Assist Left- STDS5D461L

Right- STDS5D461R

12. Caster- STDS8M2432

13. Fork- STDS8M4633

14. Footrest- STDS3J24SF

ELR- LK3JELR

a. Footrest Adj. Lever- STDS3J4502

15. Sideframe Detachable Arms Left- STDS5D46L1

Right- STDS5D46R1

Fixed Arms Left- STDS5D46L2

Right- STDS5D46R2

16. Cross Frame

16"- STDS5D46X6

18"- STDS5D46X8

20"- STDS5D46X2

17. Caster Bearing (11mm)-STDS1011HD

18. Caster Axle Bolt- STDS8M4631

19. Fork Stem Bearing (12.5mm)- STDS8M4601

20. Fork Stem Cap- STDS8M4651

21. Arm Release Button- STDS3J4503

22. Upholstery Screws

Back or Seat (8 each)- STDS2015

23. Desk Arm Pad- STDSDSKVB

Full Arm Pad- STDSFLVB

Desk Arm Left- STDSSDDAL

Right- STDSSDDAR

Full Arm Left- STDSSDFAL

Right- STDSSDFAR

24. Slide Tube &amp; Bushing- STDS3J4601

a. Bushing- STDS002601

25. Seat Rail Guide Detachable arms- STDS1070

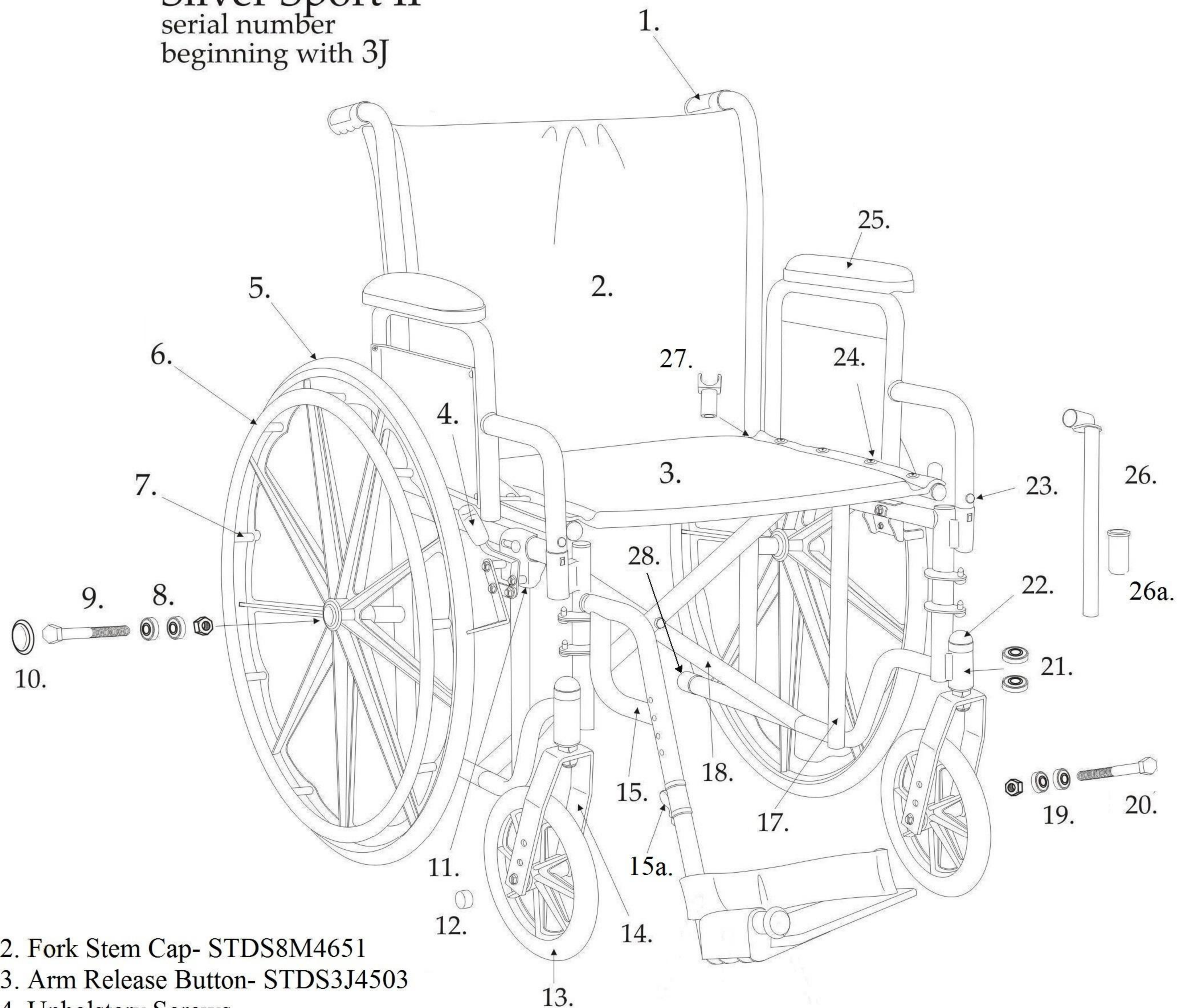
Fixed Arms Front- STDS004602

Rear- STDS1070

26. Tipping Sleeve- STDS3J2422

# Silver Sport II

serial number  
beginning with 3J



1. Handgrip- WB 8036

2. Back Upolstery

16"- STDS3J4606

18"- STDS3J4608

20"- STDS3J4602

3. Seat Upholstery

16"- STDS3J4616

18"- STDS3J4618

20"- STDS3J4620

4. Brake Tip Round- STDS004601.

5. Rear Wheel- STDS3J2424

6. Hand Rim- STDS3J2400

7. Hand Rim Hdwr (set of 9)- STDS004609-9

8. Rear Wheel Bearing (11mm)- STDS2413

9. Rear Axle Bolt

Detachable Arms- STDS3J2425

Fixed Arms- STDS3J4625

10. Hub Cap- STDS3J2421

11. Brake Fixed or Detachable Arms

Left- STDS8M462L

Right- STDS8M462R

12. Axle Cap- STDS001000

13. Caster- STDS3J2432

14. Fork- STDS3J2433

15. Footrest- STDS3J24SF

ELR- LK3JELR

a. Footrest Adj. Lever- STDS3J4502

16. Adjustment Lever- STDS3J4502

17. Sideframe Detachable Arms Left- STDS3J46L1

Right- STDS3J46R1

Fixed Arms Left- STDS3J46L2

Right- STDS3J46R2

18. Cross Frame

16"- STDS3J46X6

18"- STDS3J46X8

20"- STDS3J46X2

19. Caster Bearing (8mm)- STDS3J2430

20. Caster Axle Bolt- STDS3J2431

21. Fork Stem Bearing (12.5mm)

Flange- STDS3J2401

Nonflange- STDS8M4601

22. Fork Stem Cap- STDS8M4651

23. Arm Release Button- STDS3J4503

24. Upholstery Screws

Back or Seat (8 each)- STDS2015

25. Desk Arm Pad- STDSDSKVB

Full Arm Pad- STDSFLVB

Desk Arm Left- STDSSDDAL

Right- STDSSDDAR

Full Arm Left- STDSSDFAL

Right- STDSSDFAR

26. Slide Tube &amp; Bushing- STDS3J4601

Bushing- STDS002601

27. Seat Rail Guide Detachable arms- STDS1070

Fixed Arms Front- STDS004602

Rear- STDS1070

28. Tipping Sleeve- STDS3J2422