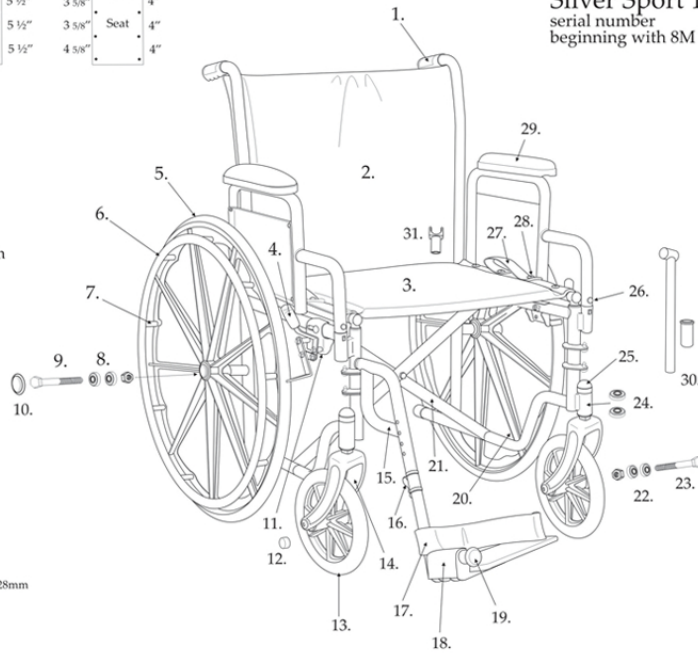


- | | | | |
|--------|--------|--------|--------|
| <12/09 | >11/09 | <12/09 | >11/09 |
| 5.3/8" | 5 1/2" | 3.5/8" | 4" |
| 5" | 5 1/2" | 3.5/8" | 4" |
| 4.5/8" | 5 1/2" | 4.5/8" | 4" |

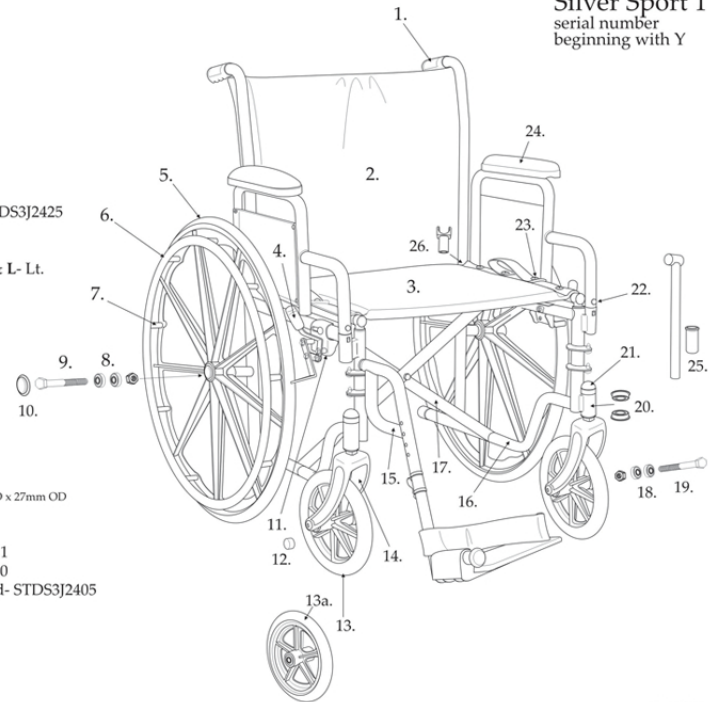
- Handgrip- STDS3P4401
- Back Upholstery
<12/09 18"- STDS8M4508
>11/09 18"- STDS3J2408
- Seat Upholstery
<12/09 18"- STDS8M4518
>11/09 18"- STDS3J2418
- Brake Tip- STDS004601
- 24" Wheel Assm.- STDS3J2424 11mm ID
- Handrim- STDS3J2400
- Handrim Screws
and Spacers- STDS004609
- Wheel Bearings- STDS3J2413 11x35mm
- Rear Axle Bolt- STDS3J2425
- Hub Cap- STDS3J2421
- Brake Assm. fixed and detachable arm
Rt.- STDS3J241R
Lt.- STDS3J241L
- Axle Cap- STDS001000
- Caster- STDS3J2432
- Fork- STDS3J4533
- Footrest Hanger
Rt.- STDS3J24R
Lt.- STDS3J24L9
- Footrest Adj. Lever- STDS3J4502
- Heel Strap- STDS831
- Footplate- (Rt.) STDS3J452R (Lt.) 2L
- Footrest Bumper- STDS3J2450
- Side Frame Rt.- STDS3J45R1
Lt.- STDS3J45L1
- Cross Frame- STDS3J45X8
- Caster Bearings- STDS1011 8x22mm
- Front Axle Bolt- STDS3J2431
- Fork Stem Bearings- STDS8M4601 13x28mm
- Fork Stem Cap- STDS8M4651
- Arm Release Button- STDS3J4503
- Seat Handle- STDS3J4504
- Upholstery Screw- Back- STDS3J4511
Seat- STDS3J4510
- Desk Arm Pad- STDS3J2404, Full Pad- STDS3J2405
- Slide Tube & Bushing- STDS8M4601
- Seat Rail Guide- STDS004602



Silver Sport 1
serial number
beginning with 8M

07/08/10

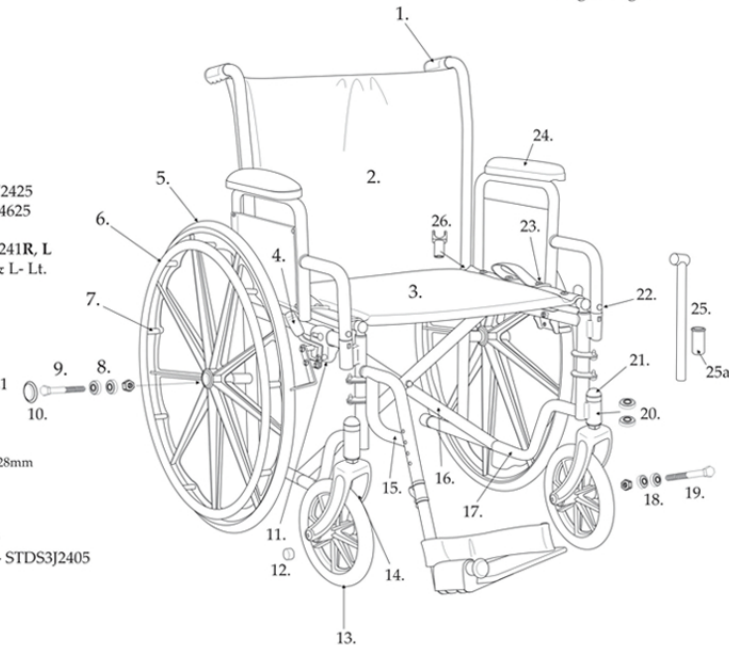
- Handgrip- STDS3P4401
- Back Upholstery
18"- STDS3J4508
- Seat Upholstery
18"- STDS3J4518
- Brake Tip- round STDS004601
sleeve STDS8M4601
- 24" Wheel Assm.- STDS3J2424
- Handrim- STDS3J2400
- Handrim Screws
and Spacers- STDS004609
- Wheel Bearings- STDS3J2413 11x35 mm
- Rear Axle Bolt detachable arm chair- STDS3J2425
fixed arm chair- STDS3J4625
- Hub Cap- STDS3J2421
- Brake Assm. fixed STDS3J241R- Rt. & L- Lt.
and detachable arm STDS8M462R, L
- Axle Cap- STDS001000
- 8 Spoke Caster- STDS3J2432 8mm ID
5 Spoke Caster- STDS3J3900 8mm ID
- Fork- STDS3J4533
- Footrest- STDS3J24SF
- Side Frame Rt.- STDS3J45R1
Lt.- STDS3J45L1
- Cross Frame- STDS3J45X8
- Caster Bearings- STDS1011 8x22mm
- Front Axle Bolt- STDS3J2431
- Flanged Bearing- STDS3J2401 13mm ID x 27mm OD
- Fork Stem Cap- STDS3J2451
- Arm Release Button- STDS3J4503
- Upholstery Screw- Back- STDS3J4511
Seat- STDS3J4510
- Desk Arm Pad- STDS3J2404, Full Pad- STDS3J2405
- Slide Tube & Bushing- STDS3J4601
- Seat Rail Guide- STDS004602



Silver Sport 1
serial number
beginning with Y

07/08/10

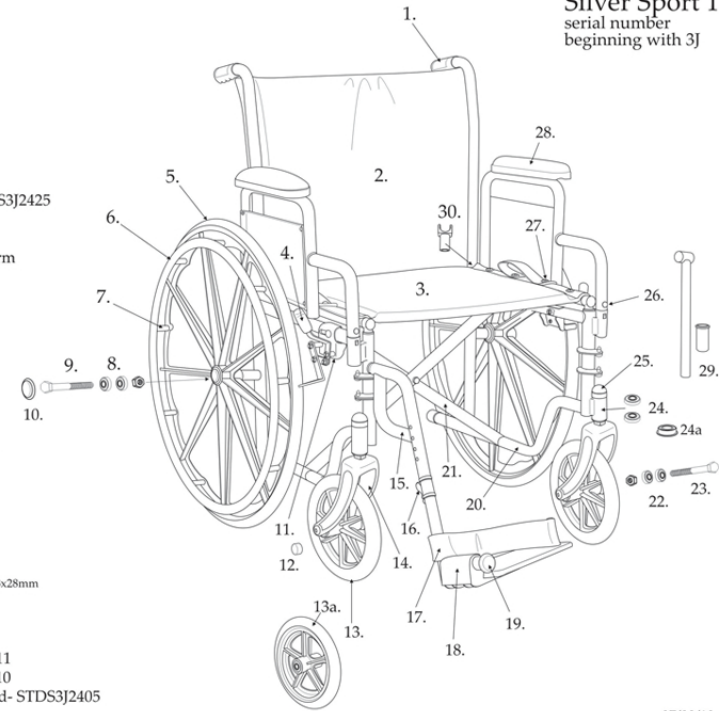
- Handgrip- STDS3P4401
- Back Upholstery
18"- STDS5D4508
- Seat Upholstery
18"- STDS8M4518
- Brake Tip- STDS004601
Spring brake tip- STDS5D4601
- 24" Wheel Assm.- STDS3J2424 11mm ID
- Handrim- STDS3J2400
- Handrim Screws- STDS004609
- Wheel Bearings- STDS3J2413 11x35mm
- Rear Axle Bolt detachable arm- STDS3J2425
fixed arm- STDS3J4625
- Hub Cap- STDS3J2421
- Brake Assm. fixed/detachable STDS3J241R, L
Brake with spring- STDS5D461R- Rt. & L- Lt.
- Caster- STDS3J2432
- Fork- STDS3J4533
- Footrest- STDS3J24SF
- Cross Frame- STDS3J45X8
- Side Frame-
Detach. Arm (Rt.) STDS5D45R1 (Lt.) L1
Fixed Arm (Rt.) STDS5D45R2 (Lt.) L2
- Caster Bearings- STDS1011 8x22mm
- Front Axle Bolt- STDS3J2431
- Fork Stem Bearings- STDS8M4601 13x28mm
- Fork Stem Cap- STDS8M4651
- Arm Release Button- STDS3J4503
- Upholstery Screw- Back- STDS3J4511
Seat- STDS3J4510
- Desk Arm Pad- STDS3J2404, Full Pad- STDS3J2405
- Slide Tube- STDS002600
a. Bushing- STDS002601
- Seat Rail Guide- STDS1070



Silver Sport 1
serial number
beginning with 5D

07/08/10

- Handgrip- STDS3P4401
- Back Upholstery
18"- STDS3J4508
- Seat Upholstery
18"- STDS3J4518
- Brake Tip- STDS004601
- 24" Wheel Assm.- STDS3J2424 11mm
- Handrim- STDS3J2400
- Handrim Screws
and Spacers- STDS004609
- Wheel Bearings- STDS3J2413 11x35mm
- Rear Axle Bolt detachable arm chair STDS3J2425
fixed arm chair- STDS3J4625
- Hub Cap- STDS3J2421
- Brake Assm. fixed and detachable arm
Rt.- STDS3J241R
Lt.- STDS3J241L
- Axle Cap- STDS001000
- 8 Spoke Caster- STDS3J2432 8mm ID
5 Spoke Caster- STDS3J3900 8mm ID
- Fork- STDS3J4533
- Footrest Set- STDS3J24SF
- Footrest Adj. Lever- STDS3J4502
- Heel Strap- STDS831
- Footplate- (Rt.) STDS3J452R (Lt.) 2L
- Footrest Bumper- STDS3J2450
- Side Frame Rt.- STDS3J45R1
Lt.- STDS3J45L1
- Cross Frame- STDS3J45X8
- Caster Bearings- STDS1011 8x22mm
- Front Axle Bolt- STDS3J2431
- Fork Stem Bearings- STDS8M4601 13x28mm
a. Flanged Bearing- STDS3J2401
- Fork Stem Cap- STDS8M4651
- Arm Release Button- STDS3J4503
- Upholstery Screw- Back- STDS3J4511
Seat- STDS3J4510
- Desk Arm Pad- STDS3J2404, Full Pad- STDS3J2405
- Slide Tube & Bushing- STDS3J4601
- Seat Rail Guide- STDS1070



Silver Sport 1
serial number
beginning with 3J

07/08/10