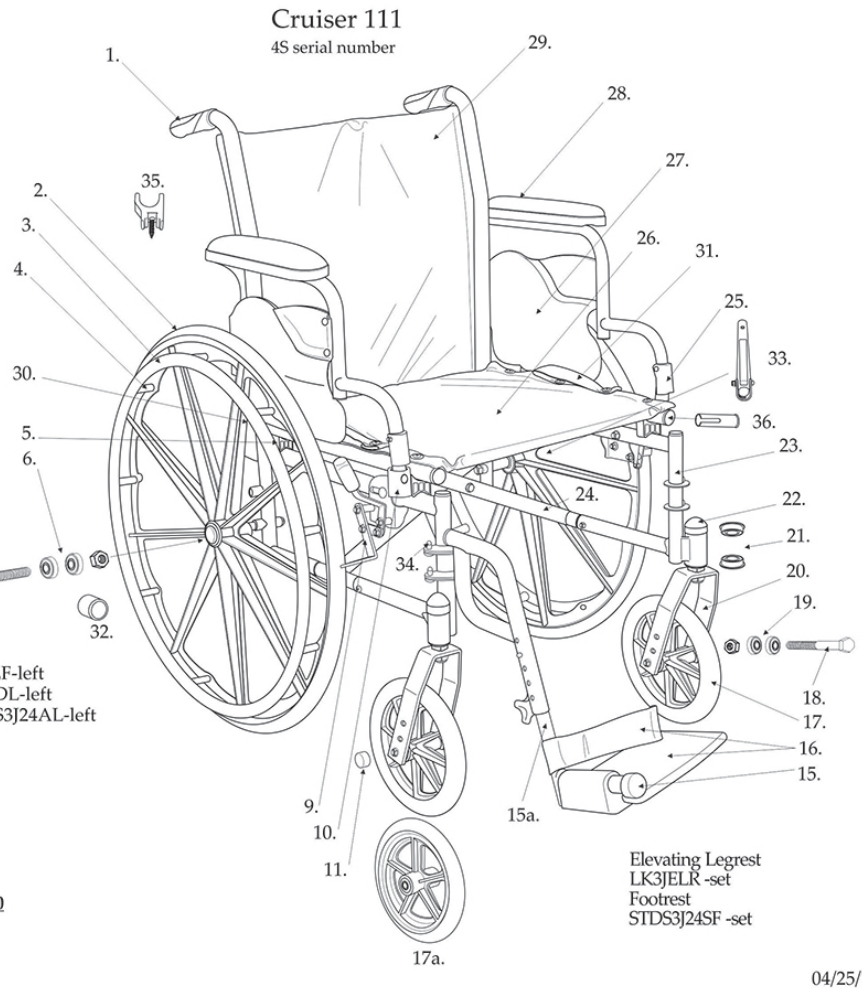
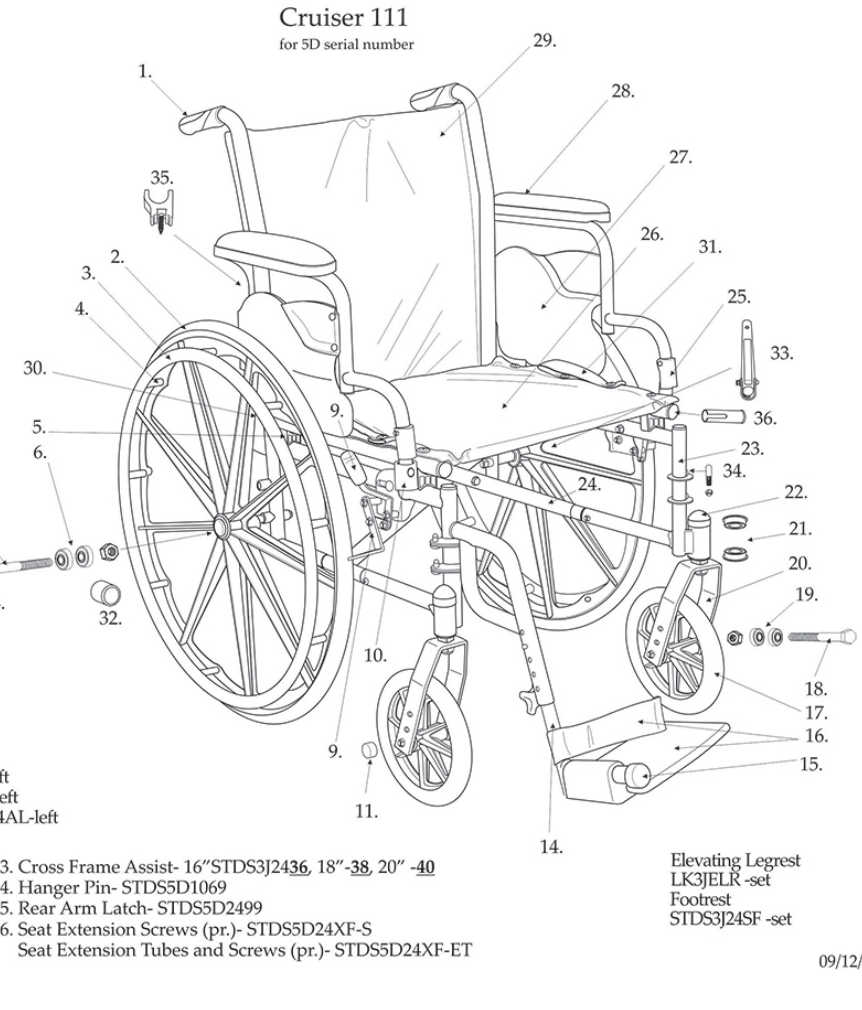


1. Handgrip- STDS3J2403
2. Rear Wheel Assem.- STDS3J2424
3. Hand Rim- STDS3J2400
4. Hand Rim Screws & Spacers- STDS004609-9
5. Rear Seat Saddle- STDS3J2414
6. Rear Axle Bearing- STDS3J2413
7. Rear Axle Bolt- STDS3J2425
8. Hub Cap- STDS3J2421
9. Brake Assembly  
STDS8M462R-right, STDS8M462L-left
10. Front Seat Saddle-STDS3J2412
11. Axle Cap- STDS001000
15. Bumper- STDS3J2450  
a. L Frame- STDS3J2407
16. Footplate- (Right) STDS3J2410-R (Left) -L  
Heel Strap- STDS831
17. Front Caster- STDS8M2432
18. Front Axle Bolt- STDS8M4631
19. Caster Bearing- STDS1011HD
20. Front Fork- STDS3J2433
21. Fork Stem Bearings-STDS8M4601
22. Caster Cap STDS8M4651
23. Side Frame Rt.-STDS5D24R1  
Lt.-STDS5D24L1
24. Cross Frame  
16"-STDS3J24X6-AD  
18"-STDS3J24X8-AD  
20"-STDS3J242X-AD
25. Release Lever- STDS3J2419
26. Seat Upholstery-  
STDS4S2416-AD, STDS4S2418-AD, STDS4S2420-AD  
16" Uphol. 18" Uphol. 20" Uphol.
27. Arm Assembly- Full STDS3J24RF-right STDS3J24LF-left  
Arm Assembly- Desk STDS3J24DR-right STDS3J24DL-left  
Adjst. Arm Assembly- Desk STDS3J24AR-right STDS3J24AL-left
28. Arm Pad- desk STDS3J2404  
full STDS3J2405
29. Back Upholstery:  
STDS4S2406N, STDS4S2408N, STDS4S2402N  
16" Uphol. 18" Uphol. 20" Uphol.
30. Flip Back Arm Bracket- STDS3J2409
31. Upholstery Strap- STDS3J2411
32. Frame Cap- STDS3J2422
33. Cross Frame Assist- 16"STDS3J2436, 18"-38, 20"-40
34. Hanger Pin- STDS5D1069
35. Rear Arm Latch- STDS5D2499
36. Seat Extension Screw (Pair)- STDS5D24XF-S  
Seat Extension & Screw (Pair)- STDS5D24XF-ET



04/25/13

1. Handgrip- STDS3J2403
2. Rear Wheel Assem.- STDS3J2424
3. Hand Rim- STDS3J2400
4. Hand Rim Screws & Spacers- STDS004609-9
5. Rear Seat Saddle- STDS3J2414
6. Rear Axle Bearing- STDS3J2413
7. Rear Axle Bolt- STDS3J2425
8. Hub Cap- STDS3J2421
9. Brake Assembly  
STDS8M462R-right, STDS8M462L-left  
Brake Tip- STDS8M4603
10. Front Seat Saddle-STDS3J2412
11. Axle Cap- STDS001000
14. L Frame- STDS3J2407
15. Bumper- STDS3J2450
16. Footplate- (Right) STDS3J2410-R (Left) -L  
Heel Strap- STDS831
17. Front Caster- STDS3J2432  
If removable hanger pins- STDS8M2432
18. Front Axle Bolt- STDS3J2431  
If removable hanger pins- STDS8M4631
19. Caster Bearing- STDS3J2430  
If removable hanger pins- STDS1011HD
20. Front Fork- STDS3J2433  
If removable hanger pins- STDS8M4633
21. Fork Stem Bearings- STDS3J2401  
If removable hanger pins- STDS8M4601
22. Caster Cap STDS8M4651
23. Side Frame Rt.-STDS3J24R1 Lt.-STDS3J24L1  
If removable hanger pins-  
Rt. STDS5D24R1, Lt. STDS5D24L1
24. Cross Frame  
Adjustable Depth \*  
16"-STDS5D24X6 16"-STDS3J24X6-AD  
18"-STDS5D24X8 18"-STDS3J24X8-AD  
20"-STDS5D242X 20"-STDS3J242X-AD
25. Release Lever- STDS3J2419
26. Seat Upholstery- Adjustable Depth \*  
16"-STDS5D2497 16"-STDS3J2416-AD  
18"-STDS8M4518 18"-STDS3J2418-AD  
20"-STDS5D2498 20"-STDS3J2420-AD
27. Arm Assembly- Full STDS3J24RF-right STDS3J24LF-left  
Arm Assembly- Desk STDS3J24DR-right STDS3J24DL-left  
Adjst. Arm Assembly- Desk STDS3J24AR-right STDS3J24AL-left
28. Arm Pad- desk STDS5D2499, full STDS5D2499
29. Back Upholstery:  
STDS3J2406, STDS3J2408, STDS3J2402  
16" Uphol. 18" Uphol. 20" Uphol.  
\* Adj. Depth (after serial number 5D110800581) \*  
STDS3J2406N, STDS3J2408N, STDS3J2402N
30. Flip Back Arm Bracket- STDS3J2409
31. Upholstery Strap- STDS3J2411
32. Frame Cap- STDS3J2422



09/12/12