

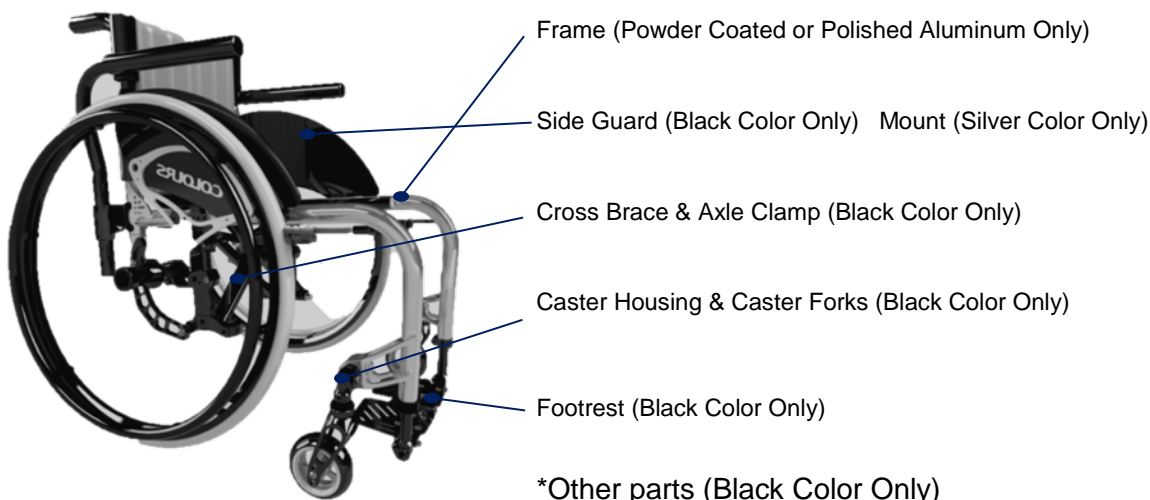
			COLOURS INFORMATION For Office Use Only		
Dealer:			Order Date:	S/N:	
Account:	P.O.#:		RTS		
Ordered By:			RTS:	Phone:	
Address:			Email:		
City:	State:	Zip:	SHIP TO		
Phone:	Fax:		Name:	Ship Via:	
Email:			Address:		
Customer Name:			City:	State:	Zip:
Customer Weight:			Phone:	Fax:	

CHAIR INFORMATION	PRICE	
GENESIS	SABER FOLDING BASE PRICE	\$ 2,780
Folding, Adjustable FSH-RSH	Total Section A	
Max. Capacity 265Lbs(120kg)	Total Section B	
Main Frame : ZK60 High Grade A7000 Series Aluminum	Total Section C	
Main Frame : Lifetime Warranty *See warranty policy	Total Section D	
	Total Section E	
	ORDER GRAND TOTAL	

A FRAME COLORS & PARTS COLOR)

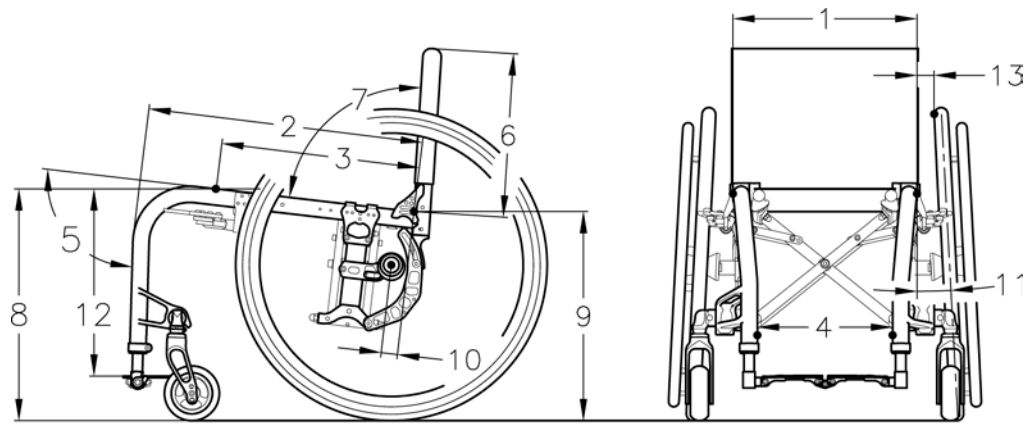
FRAME COLORS

Powder-Coated <input type="checkbox"/> Gloss Black <input type="checkbox"/> Twilight Flake <input type="checkbox"/> Yellow <input type="checkbox"/> Magenta <input type="checkbox"/> Fire Engine Red <input type="checkbox"/> White <input type="checkbox"/> Candy Blue <input type="checkbox"/> Candy <input type="checkbox"/> Candy Green <input type="checkbox"/> Candy Red <input type="checkbox"/> Candy Raspberry <input type="checkbox"/> Cobalt Blue <input type="checkbox"/> Matte Gray <input type="checkbox"/> Matte Purple <input type="checkbox"/> Matte Blue <input type="checkbox"/> Matte Green <input type="checkbox"/> Matte Black <input type="checkbox"/> Matte Red <input type="checkbox"/> Neon Red <input type="checkbox"/> Neon Green <input type="checkbox"/> Orange Sparkle <input type="checkbox"/> Mellon Yellow <input type="checkbox"/> Gun Smoke <input type="checkbox"/> Pigeon Blue <input type="checkbox"/> Granny Sparkle Green <input type="checkbox"/> Sparkle Sky Blue <input type="checkbox"/> Vermilion <input type="checkbox"/> Reed Green <input type="checkbox"/> Blue Lilac	\$ STD
Special Color <input type="checkbox"/> Polished Aluminum Color	\$ 800



Total Section A \$

B FRAME MEASUREMENTS 1/2



1. Seat Width 12.5"(32.0cm) 13 3/8"(34.0cm) 14 1/8"(36.0cm) 15.0"(38.0cm) 15 3/4"(40.0cm)
 16.5"(42.0cm) 17 1/4"(44.0cm) 18 1/8"(46.0cm)

\$ STD

**2. Frame Depth &
3. Seat Depth**

		Seat Depth				
Frame Depth	STD Frame 20"(51cm)	<input type="checkbox"/> 13 3/8"(34.0cm)	<input type="checkbox"/> 14 1/8"(36.0cm)	<input type="checkbox"/> 15.0"(38.0cm)	<input type="checkbox"/> 15 3/4"(40.0cm)	
	Long Frame 22 3/4"(58cm)	<input type="checkbox"/> 15 3/4"(40.0cm)	<input type="checkbox"/> 16.5"(42.0cm)	<input type="checkbox"/> 17 1/4"(44.0cm)	<input type="checkbox"/> 18 1/8"(46.0cm)	<input type="checkbox"/> 18 7/8"(48cm)

\$ STD

\$ STD

**4. Footrest Style &
Footrest Width**

Footrest Style : Center Joint Folding Foot Plate only Adj. Angle & Height
 Footrest Width : Your seat width minus 3.5" only

\$ STD

		Your Seat Width							
		12.5"(32.0cm)	13 3/8"(34.0cm)	14 1/8"(36.0cm)	15.0"(38.0cm)	15 3/4"(40.0cm)	16.5"(42.0cm)	17 1/4"(44.0cm)	18 1/8"(46.0cm)
Footrest Width		9.0"(23.0cm)	9 7/8"(25.0cm)	10 5/8"(27.0cm)	11 3/8"(29.0cm)	12 1/8"(31.0cm)	13"(33.0cm)	13 3/4"(35.0cm)	14.5"(37.0cm)

5. Frame Bend Angle

95° Only

\$ STD

Frame Angle to the Ground

		Your Seat Depth							
		13 3/8"(34.0cm)	14 1/8"(36.0cm)	15.0"(38.0cm)	15 3/4"(40.0cm)	16.5"(42.0cm)	17 1/4"(44.0cm)	18 1/8"(46.0cm)	18 7/8"(48.0cm)
Seat Bucket	0"(0cm)	95°	95°	95°	95°	95°	95°	95°	95°
	0.5"(1.2cm)	93°	93°	93°	93°	93°	93°	93°	93°
	1.0"(2.5cm)	91°	91°	91°	91°	92°	92°	92°	92°
	1.5"(3.8cm)	89°	89°	89°	90°	90°	90°	90°	90°
	2.0"(5.1cm)	86°	87°	87°	88°	88°	88°	89°	89°
	2.5"(6.4cm)	84°	85°	85°	86°	86°	87°	87°	87°
	3.0"(7.6cm)	82°	83°	83°	84°	85°	85°	85°	86°
	3.5"(8.9cm)	80°	81°	81°	82°	83°	83°	84°	84°
	4.0"(10.2cm)	78°	79°	79°	80°	81°	82°	82°	83°

6. Backrest Height

12.5"(32.0cm) 13 3/8"(34.0cm) 14 1/8"(36.0cm)

← Adj. range →

15.0"(38.0cm) 15 3/4"(40.0cm) 16.5"(42.0cm)

← Adj. range →

\$ STD

7. Backrest Angle

Fixed Backrest 87° from seat sling

\$ STD

NOTE

Sub Total Section B 1/2 \$

B FRAME MEASUREMENTS 2/2

8. Front Seat Height 16.5" (42.0cm) *1 17.0" (43.0cm) *1 17 1/4" (44.0cm) 17 3/4" (45.0cm)
 18 1/8" (46.0cm) 18 1/2" (47.0cm) 18 7/8" (48.0cm) *2 19 1/4" (49.0cm) *2
 19 5/8" (50.0cm) *2
*** 1: STD Frame Only**
*** 2: Long Frame Only**

\$ STD

Front Seat height Range

		Front Seat Height								
		16.5" (42.0cm)	17.0" (43.0cm)	17 1/4" (44.0cm)	17 3/4" (45.0cm)	18 1/8" (46.0cm)	18 1/2" (47.0cm)	18 7/8" (48.0cm)	19 1/4" (49.0cm)	19 5/8" (50.0cm)
Caster & Forks	3" Caster & STD Forks	<input type="checkbox"/> STD FRAME ONLY	<input type="checkbox"/> STD FRAME ONLY	<input type="checkbox"/>	<input type="checkbox"/>	<input type="checkbox"/>	<input type="checkbox"/> LONG FRAME ONLY	<input type="checkbox"/> LONG FRAME ONLY		
	4" Caster & STD Forks		<input type="checkbox"/> STD FRAME ONLY	<input type="checkbox"/> STD FRAME ONLY	<input type="checkbox"/>	<input type="checkbox"/>	<input type="checkbox"/>	<input type="checkbox"/> LONG FRAME ONLY	<input type="checkbox"/> LONG FRAME ONLY	
	5" Caster & STD Forks			<input type="checkbox"/> STD FRAME ONLY	<input type="checkbox"/> STD FRAME ONLY	<input type="checkbox"/>	<input type="checkbox"/>	<input type="checkbox"/>	<input type="checkbox"/> LONG FRAME ONLY	<input type="checkbox"/> LONG FRAME ONLY

9. Rear Seat Height 14.5" (37.0cm) 15.0" (38.0cm) 15 3/8" (39.0cm) 15 3/4" (40.0cm) 16 1/8" (41.0cm)
 16.5" (42.0cm) 17.0" (43.0cm) 17 1/4" (44.0cm) 17 3/4" (45.0cm)

\$ STD

Rear Seat height Range

		Rear Seat Height								
		14.5" (37.0cm)	15.0" (38.0cm)	15 3/8" (39.0cm)	15 3/4" (40.0cm)	16 1/8" (41.0cm)	16.5" (42.0cm)	17.0" (43.0cm)	17 1/4" (44.0cm)	17 3/4" (45.0cm)
Rear Tire Size	24"x1" (540)	<input type="checkbox"/>	<input type="checkbox"/>	<input type="checkbox"/>	<input type="checkbox"/>	<input type="checkbox"/>	<input type="checkbox"/>			
	24"x1 3/8" (540)		<input type="checkbox"/>	<input type="checkbox"/>	<input type="checkbox"/>	<input type="checkbox"/>	<input type="checkbox"/>			
	25"x1" (559)		<input type="checkbox"/>	<input type="checkbox"/>	<input type="checkbox"/>	<input type="checkbox"/>	<input type="checkbox"/>	<input type="checkbox"/>		
	24"x2" (540)			<input type="checkbox"/>	<input type="checkbox"/>	<input type="checkbox"/>	<input type="checkbox"/>	<input type="checkbox"/>		
	26"x1" (590)			<input type="checkbox"/>	<input type="checkbox"/>	<input type="checkbox"/>	<input type="checkbox"/>	<input type="checkbox"/>	<input type="checkbox"/>	
	25"x1.95" (559)				<input type="checkbox"/>	<input type="checkbox"/>	<input type="checkbox"/>	<input type="checkbox"/>	<input type="checkbox"/>	<input type="checkbox"/>

10. Center of Gravity 1 1/8" (3.0cm) 1.5" (4.0cm) 2.0 (5.0cm) 2 3/8" (6.0cm)
 2 3/4" (7.0cm) 3 1/8" (8.0cm)

\$ STD

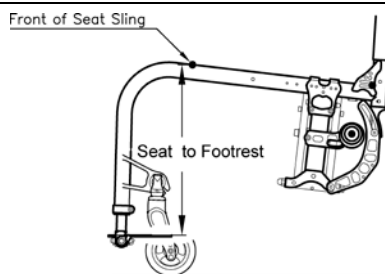
11. Camber Angle 0° 2° 4°

\$ STD

12. Seat to Footrest ()
 *Adj. range : 13.0" - 17.5" (33cm-45cm)

\$ STD

*Measure vertical from top of seat sling at front edge to top of foot plate.



13. Inside Wheel Clearance 3/4" (2.0cm) 1.0" (2.5cm) 1 1/4" (3.0cm)

\$ STD

NOTE

Sub Total Section B 1/2 \$

Sub Total Section B 2/2 \$

Total Section B \$

C WHEELS, TIRES & CASTERS, FORKS 1/2

WHEELS

Standard Radial Spoke Wheel <input type="checkbox"/> 24" (540) Only	\$ STD
Heat-Treated Wheel <input type="checkbox"/> 24" (540) <input type="checkbox"/> 25" (559) <input type="checkbox"/> 26" (590)	\$ 250
Cross Knot Laced Spokes <input type="checkbox"/> 24" (540) <input type="checkbox"/> 25" (559) <input type="checkbox"/> 26" (590)	\$ 250
Twister Super Strength Wheel <input type="checkbox"/> 24" (540) <input type="checkbox"/> 25" (559) <input type="checkbox"/> 26" (590)	\$ 300
SUN Fusion 16 Wheel <input type="checkbox"/> 24" (540) <input type="checkbox"/> 25" (559)	\$ 410
16 Black Spokes Hub Color <input type="checkbox"/> Black <input type="checkbox"/> Silver	

Y-360 Billet Wheels <input type="checkbox"/> 24" (540) <input type="checkbox"/> 25" (559) *Max. Capacity 220Lbs *Camber 0- 2° max *Not for Sports or Rugged use Style <input type="checkbox"/> Saw Blade <input type="checkbox"/> Hearts(25"only) <input type="checkbox"/> T-Style(25"only)	\$ 999
---	--------

Y-360 Billet Wheels MOD Style <input type="checkbox"/> 25" (559) Only *Max. Capacity 220Lbs *Camber 0- 2° max *Not for Sports or Rugged use Style <input type="checkbox"/> Tribal Sun <input type="checkbox"/> Girls <input type="checkbox"/> Eagle <input type="checkbox"/> Holy Cross <input type="checkbox"/> Hono	\$ 1,499
Specify Powder Coat Color for Insert Only () *Choose from Frame Colors	

Extra Options for Y-360 <input type="checkbox"/> Spinners Clover (\$650 up charge) <input type="checkbox"/> Powder-Coated Spokes Only () *Choose from Frame Colors (\$150 up charge)	
---	--

X-Core (3 Spokes comp) <input type="checkbox"/> 25" (559) Only *Camber 0- 2° max *Not available with D's Lock *Not available with long tabs Wheel Color <input type="checkbox"/> Black	\$ 743
<input type="checkbox"/> Yellow <input type="checkbox"/> Blue <input type="checkbox"/> Red <input type="checkbox"/> White	\$ 943

Spinergy Spox 18 Spokes	<input type="checkbox"/> 24" (540) <input type="checkbox"/> 25" (559) <input type="checkbox"/> 26" (590) Spoke Color <input type="checkbox"/> Black <input type="checkbox"/> Red <input type="checkbox"/> Yellow <input type="checkbox"/> Blue <input type="checkbox"/> White	\$ 695											
	<input type="checkbox"/> Custom Color Spoke Pattern												
	<table border="1"> <tr> <td></td> <td>Left Wheel</td> <td>Right Wheel</td> </tr> <tr> <td>Spokes</td> <td>Inside</td> <td></td> </tr> <tr> <td>Color</td> <td>Outside</td> <td></td> </tr> <tr> <td>Hub Color</td> <td><input type="checkbox"/>Black/<input type="checkbox"/>Silver</td> <td><input type="checkbox"/>Black/<input type="checkbox"/>Silver</td> </tr> </table>		Left Wheel	Right Wheel	Spokes	Inside		Color	Outside		Hub Color	<input type="checkbox"/> Black/ <input type="checkbox"/> Silver	<input type="checkbox"/> Black/ <input type="checkbox"/> Silver
	Left Wheel	Right Wheel											
Spokes	Inside												
Color	Outside												
Hub Color	<input type="checkbox"/> Black/ <input type="checkbox"/> Silver	<input type="checkbox"/> Black/ <input type="checkbox"/> Silver											

Spinergy LX 12 Spokes	<input type="checkbox"/> 24" (540) <input type="checkbox"/> 25" (559) <input type="checkbox"/> 26" (590) Spoke Color <input type="checkbox"/> Black <input type="checkbox"/> Red <input type="checkbox"/> Yellow <input type="checkbox"/> Blue With Silver Hub With Black Hub With Black Hub With Black Hub <input type="checkbox"/> White <input type="checkbox"/> Neon Green <input type="checkbox"/> Pink <input type="checkbox"/> Orange With Black Hub With Black Hub With Black Hub With Black Hub	\$ 895											
	<input type="checkbox"/> Custom Color Spoke Pattern												
	<table border="1"> <tr> <td></td> <td>Left Wheel</td> <td>Right Wheel</td> </tr> <tr> <td>Spokes</td> <td>Inside</td> <td></td> </tr> <tr> <td>Color</td> <td>Outside</td> <td></td> </tr> <tr> <td>Hub Color</td> <td><input type="checkbox"/>Black/<input type="checkbox"/>Silver</td> <td><input type="checkbox"/>Black/<input type="checkbox"/>Silver</td> </tr> </table>		Left Wheel	Right Wheel	Spokes	Inside		Color	Outside		Hub Color	<input type="checkbox"/> Black/ <input type="checkbox"/> Silver	<input type="checkbox"/> Black/ <input type="checkbox"/> Silver
	Left Wheel	Right Wheel											
Spokes	Inside												
Color	Outside												
Hub Color	<input type="checkbox"/> Black/ <input type="checkbox"/> Silver	<input type="checkbox"/> Black/ <input type="checkbox"/> Silver											

Topolino Cabon Core WX2.5 Wheels Black Spokes Only <input type="checkbox"/> 24" (540) <input type="checkbox"/> 25" (559) *Max. Capacity 220Lbs	\$ 910
*Not available with D's Lock Nipples Color <input type="checkbox"/> Red <input type="checkbox"/> Yellow	

HANDRIMS

Type	<input type="checkbox"/> Standard For 24", 25" or 26" Wheel Anodized Black (*Not available with Pro Wheels)	\$ STD
	<input type="checkbox"/> Vinyl Coated For 24", 25", 26" Wheel (*Not available with Pro Wheels)	\$ 142
	<input type="checkbox"/> Natural Fit For 24", 25" Wheel	
	<input type="checkbox"/> Standard Grip (Not available with short tabs. Not available with Y-360 Billet Wheels, X-Core, Topolino Wheels, Pro Wheels, Mag Wheels)	\$ 295
	<input type="checkbox"/> Super Grip (Not available with short tabs. Not available with Y-360 Billet Wheels, X-Core, Topolino Wheels, Pro Wheels, Mag Wheels)	\$ 340
	<input type="checkbox"/> Without Thumb Grip (Not available with Y-360 Billet Wheels, Not available with Pro Wheels, Mag Wheels)	\$ 270
	<input type="checkbox"/> Natural Fit (LT) For 24", 25" Wheel	
	<input type="checkbox"/> Standard Grip (Not available with short tabs. Not available with Y-360 Billet Wheels, X-Core, Topolino Wheels, Pro Wheels, Mag Wheels)	\$ 325
	<input type="checkbox"/> Super Grip (Not available with short tabs. Not available with Y-360 Billet Wheels, X-Core, Topolino Wheels, Pro Wheels, Mag Wheels)	\$ 370
	<input type="checkbox"/> Without Thumb Grip (Not available with Y-360 Billet Wheels, Not available with Pro Wheels, Mag Wheels)	\$ 300
	<input type="checkbox"/> The Surge Handrims * Not available with Y-360 Billet Wheels * w / X-Core Wheels required Installation fee (\$30) flat fee	\$ 315
	<input type="checkbox"/> The Surge Handrims (LT) * Not available with Y-360 Billet Wheels * w / X-Core Wheels required Installation fee (\$30) flat fee	\$ 340
	<input type="checkbox"/> Spinergy Flex Rim Available only on 24" and 25" Spinergy LX.	\$ 495

TAB LENGTH <input type="checkbox"/> Long Tab (STD inside clearance 3/4") * Not available with X-Core Wheels	\$ STD
<input type="checkbox"/> Short Tab (Inside clearance 1/2") *Not available with Ultra Grip and Natural Fit Handrim with thumb grip	\$ STD
<input type="checkbox"/> Short Tab (Set closest to wheel cut off excess) * Not available with Y-360 wheel, Pro Wheels, X-Core, Pro Wheels	\$ 15

C WHEELS, TIRES & CASTERS, FORKS 2/2

TIRES

<input type="checkbox"/> High Pressure Tire <input type="checkbox"/> 24"x1", <input type="checkbox"/> 25"x1" or <input type="checkbox"/> 26"x1" Gray Tire with black wall Only	E2211/E2212	\$ STD
<input type="checkbox"/> High Pressure Tire <input type="checkbox"/> 24"x1", <input type="checkbox"/> 25"x1" or <input type="checkbox"/> 26"x1" <input type="checkbox"/> Blue <input type="checkbox"/> Red <input type="checkbox"/> Yellow	E2211/E2212	\$ 85
<input type="checkbox"/> Low Pressure Tire <input type="checkbox"/> 24"x1-3/8" or <input type="checkbox"/> 26"x1-3/8" Gray Only	E2211/E2212	\$ STD
<input type="checkbox"/> E2211Schwalbe Marathon Plus High Pressure Tire <input type="checkbox"/> 24"x1", <input type="checkbox"/> 25"x1" or <input type="checkbox"/> 26"x1" Black Only	E2211/E2212	\$ 99
<input type="checkbox"/> Solid Tire <input type="checkbox"/> 24"x1", <input type="checkbox"/> 25"x1" or <input type="checkbox"/> 26"x1" <input type="checkbox"/> Dark Gray <input type="checkbox"/> Black(\$30up charge)	E2218	\$ 115
<input type="checkbox"/> E2211 Moderate V-Track Knobby Tire 24"x1-3/8" (37-540) Gray Only	E2211/E2212	\$ 117
<input type="checkbox"/> E2211 Aggressive Knobby Tire 24"x 2" (50-540) Black Only	E2211/E2212	\$ 117
<input type="checkbox"/> E2211 Aggressive Knobby Tire 26"x 1.95" (50-559) Black Only	E2211/E2212	\$ 117
<input type="checkbox"/> E2213 Flat-Free Inserts For 24"x1-3/8" Tires Only	E2211/E2213	\$ 117

CASTERS

SIZE	TIRE WIDTH	HUB COLOR	TIRE COLOR	DESCRIPTION	
<input type="checkbox"/> 3"	1"	Black Hub	Black Tire Only	Polyeurathane	\$ STD
<input type="checkbox"/> 3"	1"	Plastic Black Hub	Clear Tire Only	Lighted, Polyeurathane	\$ 65
<input type="checkbox"/> 3"	1"	Red Hub	Red Tire Only	Polyeurathane	\$ STD
<input type="checkbox"/> 3"	1"	Black Hub	Clear Tire Only	Polyeurathane	\$ STD
<input type="checkbox"/> 3"	1"	Aluminum Silver Hub	Black Tire Only	Made By Frog Legs	\$ 165
<input type="checkbox"/> 3"	1"	Aluminum Black Hub	Black Tire Only	Made By Frog Legs	\$ 165
<input type="checkbox"/> 3"	1.5"	Aluminum Silver Hub	Black Tire Only	Soft Roll Made By Frog Legs	\$ 165
<input type="checkbox"/> 3"	1.5"	Aluminum Black Hub	Black Tire Only	Soft Roll Made By Frog Legs	\$ 165
<input type="checkbox"/> 4"	1.5"	Plastic Black Hub	Black Tire Only		\$ STD
<input type="checkbox"/> 4"	1"	Plastic Black Hub	Clear Only	Lighted, Polyeurathane	\$ 65
<input type="checkbox"/> 4"	1"	Aluminum Silver Hub	Black Tire Only	Made By Frog Legs	\$ 165
<input type="checkbox"/> 4"	1"	Aluminum Black Hub	Black Tire Only	Made By Frog Legs	\$ 165
<input type="checkbox"/> 4"	1.5"	Aluminum Silver Hub	Tire <input type="checkbox"/> Black <input type="checkbox"/> Blue <input type="checkbox"/> Red	Soft Roll Made By Frog Legs	\$ 165
<input type="checkbox"/> 4"	1.5"	Aluminum Black Hub	Black Tire Only	Soft Roll Made By Frog Legs	\$ 165
<input type="checkbox"/> 5"	1"	Composite Black Hub	Black Tire Only		\$ STD
<input type="checkbox"/> 5"	1"	Plastic Black Hub	Clear Tire Only	Lighted, Polyeurathane	\$ 65
<input type="checkbox"/> 5"	1"	Aluminum Silver Hub	Black Tire Only	Made By Frog Legs	\$ 165
<input type="checkbox"/> 5"	1"	Aluminum Black Hub	Black Tire Only	Made By Frog Legs	\$ 165
<input type="checkbox"/> 5"	1.5"	Aluminum Silver Hub	Tire <input type="checkbox"/> Black <input type="checkbox"/> Blue <input type="checkbox"/> Red	Soft Roll Made By Frog Legs	\$ 165
<input type="checkbox"/> 5"	1.5"	Aluminum Black Hub	Black Tire Only	Soft Roll Made By Frog Legs	\$ 165

FORKS

<input type="checkbox"/> STD Aluminum Forks Black Only	\$ STD
---	--------

Sub Total Section C 1/2 \$

Sub Total Section C 2/2 \$

Total Section C \$

D COMPONENTS

WHEEL LOCKS

<input type="checkbox"/> Push to Lock / Anodized Black Only	\$ STD
<input type="checkbox"/> NEW Compact Push to Lock / Anodized Black Only <input type="checkbox"/> w/ 2" Extension Handle (\$65up)	\$ 110
<input type="checkbox"/> NEW Compact Scissor Lock / Anodized Black Only	\$ 110

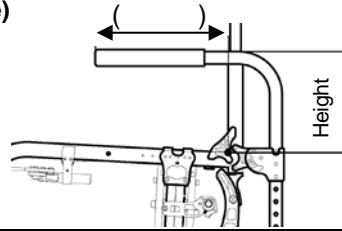
PUSH HANDLES

<input type="checkbox"/> Integrated w/Fixed Backrest Height / Anodized Black Only	\$ STD
<input type="checkbox"/> Omit Push Handle	\$ NCO

NEW ARM RESTS Anodized Black Only

<input type="checkbox"/> Fixed Tubular Armrest	Adj. Angle and Height	Height from seat sling Set at : <input type="checkbox"/> 8" <input type="checkbox"/> 9" <input type="checkbox"/> 10" <input type="checkbox"/> 11" <input type="checkbox"/> 12"	E0973	\$ 250
<input type="checkbox"/> Swing Away Tubular Armrest	Adj. Angle and Height	Height from seat sling Set at : <input type="checkbox"/> 8" <input type="checkbox"/> 9" <input type="checkbox"/> 10" <input type="checkbox"/> 11" <input type="checkbox"/> 12"	E0973	\$ 250
<input type="checkbox"/> Flip-Up Armrest	<input type="checkbox"/> w/Fixed Tubular Armrest	Height from seat sling Set at : <input type="checkbox"/> 8" <input type="checkbox"/> 9" <input type="checkbox"/> 10" <input type="checkbox"/> 11" <input type="checkbox"/> 12"	E0973	\$ 250
Adj. Angle	<input type="checkbox"/> w/ Swing Away Tubular Armrest	Height from seat sling Set at : <input type="checkbox"/> 8" <input type="checkbox"/> 9" <input type="checkbox"/> 10" <input type="checkbox"/> 11" <input type="checkbox"/> 12"	E0973	\$ 250

Custom Length (\$150 up charge)
*Specify Length →



ANTI-TIPPERS

<input type="checkbox"/> Anti-Tippers (pair) w/ Quick Release / Anodized Black Only	E0971	\$ 112
<input type="checkbox"/> Folding Anti-Tippers (pair) w/ Quick Release / Black Only	E0971	\$ 358

SIDE GUARDS

<input type="checkbox"/> Adj. Height Rigid Side Guards - Black ABS Non-Removable Style Only	\$ 258
---	--------

SEAT CUSHION -*Please see section E for other cushion choices.-

<input type="checkbox"/> Foam Cushion w/Nylon Black Cover	Thickness <input type="checkbox"/> 1" <input type="checkbox"/> 2" <input type="checkbox"/> 3" <input type="checkbox"/> 4"	\$ 78
<input type="checkbox"/> Custom Cushion Cover (Std. Foam Cushion Only) -Select Fabric () (\$90 up charge)		

MISCELLANEOUS

<input type="checkbox"/> Frame Protectors / Black Leather/Zipper Type	\$ 78
<input type="checkbox"/> K0065 Spoke Protectors / Black Only <input type="checkbox"/> 24" <input type="checkbox"/> 25" <input type="checkbox"/> 26"	K0065 \$ 107
<input type="checkbox"/> E0978 Seat Belt w/Auto Buckle (BP) 1.5" Black Belt Only	E0978 \$ 69

UPHOLSTERY CHOICE & COLOR *Positioning Back Available. Please see Section E

<input type="checkbox"/> Adjustable Tension Backrest	Dark Grey Color Only	\$ STD
Custom Options	<input type="checkbox"/> Fabrics for Fun <input type="checkbox"/> 001 <input type="checkbox"/> 002 <input type="checkbox"/> 003 <input type="checkbox"/> 004 <input type="checkbox"/> 006 <input type="checkbox"/> 010 <input type="checkbox"/> 011 . . . (\$95 up charge) <input type="checkbox"/> For Std. or Adj. Style <input type="checkbox"/> 014 <input type="checkbox"/> 015 <input type="checkbox"/> 016 <input type="checkbox"/> 017 <input type="checkbox"/> 018 <input type="checkbox"/> 020 <input type="checkbox"/> 021 <input type="checkbox"/> 022 <input type="checkbox"/> 023 <input type="checkbox"/> 024 <input type="checkbox"/> 025 <input type="checkbox"/> 026 <input type="checkbox"/> 027 <input type="checkbox"/> 028	

<input type="checkbox"/> Calf Strap <input type="checkbox"/> Black <input type="checkbox"/> Matching Fabric (\$55 up charge) -Select Fabric()	K0038 \$ 24
<input type="checkbox"/> Matching Fabric on Padded Side Guards -Select Fabric ()	\$ 210

NOTE

Total Section D \$

E CHAIR OPTIONS

SEAT CUSHION

SUPRACOR® WHEELCHAIR CUSHIONS

Stimulite® Contoured Cushion *Black Upholstery only	<input type="checkbox"/> W14"xD16" (CD1416)	E2603	\$ 525
	<input type="checkbox"/> W16"xD16" (CD1616)	E2603	\$ 525
	<input type="checkbox"/> W16"xD18" (CD1618)	E2603	\$ 525
	<input type="checkbox"/> W18"xD16" (CD1816)	E2603	\$ 525
	<input type="checkbox"/> W18"xD18" (CD1818)	E2603	\$ 525
	<input type="checkbox"/> W18"xD20" (CD1820)	E2603	\$ 540
	<input type="checkbox"/> W20"xD16" (CD2016)	E2603	\$ 540
	<input type="checkbox"/> W20"xD18" (CD2018)	E2603	\$ 540
	<input type="checkbox"/> W20"xD20" (CD2020)	E2603	\$ 555
			<input type="checkbox"/> Extra Sensitive (\$30 up charge) <input type="checkbox"/> Sling Style Bottom (\$45 up charge) <input type="checkbox"/> Custom Size W(") x D(") (-\$ CFP)

Stimulite® Slimline Cushion *Black Upholstery only	<input type="checkbox"/> W14"xD16" (SM1416)	E2603	\$ 495	
	<input type="checkbox"/> W16"xD16" (SM1616)	E2603	\$ 495	
	<input type="checkbox"/> W16"xD18" (SM1618)	E2603	\$ 495	
	<input type="checkbox"/> W18"xD18" (SM1818)	E2603	\$ 495	
	<input type="checkbox"/> W18"xD20" (SM1820)	E2603	\$ 495	
	<input type="checkbox"/> W20"xD16" (SM2016)	E2603	\$ 510	
	<input type="checkbox"/> W20"xD18" (SM2018)	E2603	\$ 510	
	<input type="checkbox"/> W20"xD20" (SM2020)	E2603	\$ 510	
			<input type="checkbox"/> Extra Sensitive (\$30 up charge) <input type="checkbox"/> Sling Style Bottom (\$45 up charge) <input type="checkbox"/> Custom Size W(") x D(") (-\$ CFP)	

Stimulite® Corbee Pediatric *Black Upholstery only	<input type="checkbox"/> W10"xD10" (PD1010)	E2603	\$ 450
	<input type="checkbox"/> W12"xD12" (PD1212)	E2603	\$ 450
	<input type="checkbox"/> W14"xD14" (PD1414)	E2603	\$ 450
			<input type="checkbox"/> Extra Sensitive (\$30 up charge) <input type="checkbox"/> Sling Style Bottom (\$45 up charge) <input type="checkbox"/> Custom Size W(") x D(") (-\$ CFP)

ROHO WHEELCHAIR CUSHIONS

<input type="checkbox"/> 4" HIGH PROFILE® QUADTRO SELECT® CUSHION		*Black Upholstery	E2622-2623	\$ 525
Choose Size	<input type="checkbox"/> W12"xD12" <input type="checkbox"/> W12"xD13" <input type="checkbox"/> W13"xD13" <input type="checkbox"/> W13"xD15" <input type="checkbox"/> W13"xD16" <input type="checkbox"/> W15"xD13" <input type="checkbox"/> W15"xD15" <input type="checkbox"/> W15"xD16" <input type="checkbox"/> W15"xD18" <input type="checkbox"/> W16"xD15" <input type="checkbox"/> W16"xD16" <input type="checkbox"/> W16"xD18" <input type="checkbox"/> W16"xD20" <input type="checkbox"/> W18"xD15" <input type="checkbox"/> W18"xD16" <input type="checkbox"/> W18"xD18" <input type="checkbox"/> W18"xD20" <input type="checkbox"/> W18"xD22" <input type="checkbox"/> W20"xD16" <input type="checkbox"/> W20"xD18" <input type="checkbox"/> W20"xD20" <input type="checkbox"/> W20"xD22" <input type="checkbox"/> W22"xD18" <input type="checkbox"/> W22"xD20" <input type="checkbox"/> W22"xD22" <input type="checkbox"/> Custom Size W(") x D(") (+\$85)			

<input type="checkbox"/> 3" MID PROFILE® QUADTRO SELECT® CUSHION		*Black Upholstery only	E2622-2623	\$ 525
Choose Size	<input type="checkbox"/> W15"xD15" <input type="checkbox"/> W15"xD16" <input type="checkbox"/> W16"xD16" <input type="checkbox"/> W16"xD18" <input type="checkbox"/> W18"xD16" <input type="checkbox"/> W18"xD18" <input type="checkbox"/> Custom Size W(") x D(") (+\$85)			

<input type="checkbox"/> 2" LOW PROFILE® QUADTRO SELECT® CUSHION		*Black Upholstery only	E2622-2623	\$ 525
Choose Size	<input type="checkbox"/> W12"xD12" <input type="checkbox"/> W12"xD13" <input type="checkbox"/> W13"xD13" <input type="checkbox"/> W13"xD15" <input type="checkbox"/> W13"xD16" <input type="checkbox"/> W15"xD13" <input type="checkbox"/> W15"xD15" <input type="checkbox"/> W15"xD16" <input type="checkbox"/> W15"xD18" <input type="checkbox"/> W16"xD15" <input type="checkbox"/> W16"xD16" <input type="checkbox"/> W16"xD18" <input type="checkbox"/> W16"xD20" <input type="checkbox"/> W18"xD15" <input type="checkbox"/> W18"xD16" <input type="checkbox"/> W18"xD18" <input type="checkbox"/> W18"xD20" <input type="checkbox"/> W20"xD16" <input type="checkbox"/> W20"xD18" <input type="checkbox"/> W20"xD20" <input type="checkbox"/> Custom Size W(") x D(") (+\$85)			

<input type="checkbox"/> 2" NEXUS SPIRIT® CUSHION		*Black Upholstery only	E2622	\$ 525
Choose Size	<input type="checkbox"/> W14"xD14" <input type="checkbox"/> W14"xD16" <input type="checkbox"/> W15"xD15" <input type="checkbox"/> W16"xD16" <input type="checkbox"/> W16"xD18" <input type="checkbox"/> W17"xD17" <input type="checkbox"/> W18"xD16" * Custom Size Not Available			

STAR CUSHIONS

Galaxy Cushion *Black Upholstery only		Choose Zoning Options	E2624	\$ 498
<input type="checkbox"/> W14"xD14" (GXY 1414-2) <input type="checkbox"/> W14"xD16" (GXY 1416-2) <input type="checkbox"/> W16"xD14" (GXY 1614-2) <input type="checkbox"/> W16"xD16" (GXY 1616-2) <input type="checkbox"/> W16"xD18" (GXY 1618-2) <input type="checkbox"/> W18"xD16" (GXY 1816-2) ⇒ <input type="checkbox"/> W18"xD18" (GXY 1818-2) <input type="checkbox"/> W18"xD20" (GXY 1820-2) <input type="checkbox"/> W20"xD16" (GXY 2016-2) <input type="checkbox"/> W20"xD18" (GXY 2018-2) <input type="checkbox"/> W20"xD20" (GXY 2020-2)	<input type="checkbox"/> Standard - Dual Valve <input type="checkbox"/> Dual Valve - Front to Back <input type="checkbox"/> Four Valve <input type="checkbox"/> Simple - Single Valve <input type="checkbox"/> Four Valve - Enhanced <input type="checkbox"/> Four Valve - Front to Back			

THE CURVE CUSHION *Black Upholstery only	<input type="checkbox"/> W10"xD10" <input type="checkbox"/> W10"xD11" <input type="checkbox"/> W10"xD11" <input type="checkbox"/> W10"xD12" <input type="checkbox"/> W11"xD12" <input type="checkbox"/> W12"xD12"	\$ 133
	<input type="checkbox"/> W12"xD13" <input type="checkbox"/> W12"xD14" <input type="checkbox"/> W13"xD11" <input type="checkbox"/> W13"xD12" <input type="checkbox"/> W13"xD13" <input type="checkbox"/> W13"xD14"	
	<input type="checkbox"/> W14"xD14" <input type="checkbox"/> W14"xD15" <input type="checkbox"/> W14"xD16" <input type="checkbox"/> W15"xD14" <input type="checkbox"/> W15"xD15" <input type="checkbox"/> W15"xD16"	
	<input type="checkbox"/> W16"xD14" <input type="checkbox"/> W16"xD15" <input type="checkbox"/> W16"xD16" <input type="checkbox"/> W16"xD17" <input type="checkbox"/> W16"xD18" <input type="checkbox"/> W17"xD16"	
	<input type="checkbox"/> W17"xD17" <input type="checkbox"/> W17"xD18" <input type="checkbox"/> W18"xD16" <input type="checkbox"/> W18"xD17" <input type="checkbox"/> W18"xD18"	

NOTE