

# Please Read This First

## SAFETY PRECAUTIONS - USAGE - WARRANTY



*Bringing quality to life.*



## Safety Precautions

### Warning!

- Be sure to read and understand these instructions before operating your new Uplift Commode Assist. Failure to do so may result in product failure or injury.
- Check all parts for shipping damage prior to using the Uplift Commode Assist.
- Do not use the unit if you notice any damage or missing parts. Contact your local distributor for assistance immediately.
- Before using the unit, double-check all fasteners to ensure they are tight.
- **Safety First:** We strongly recommend that the person who assembles the Commode Assist, be it a home medical equipment retailer or caregiver, "try out" the Commode seat by seating and raising themselves before the user. This is to ensure that all connections have been made securely and that the Commode Assist will be safe for the user.

**NOTE:** It is recommended that you check all hardware periodically.

Model may not be exactly as shown.

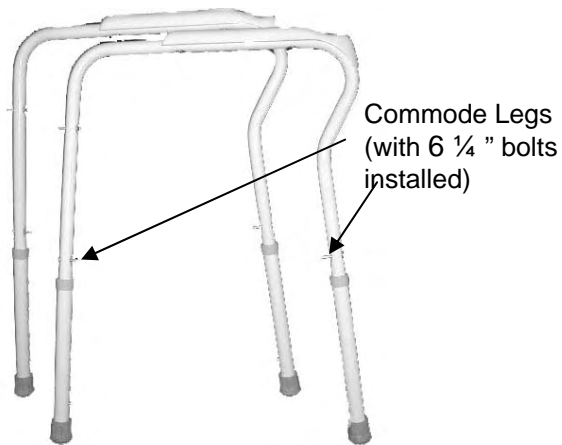
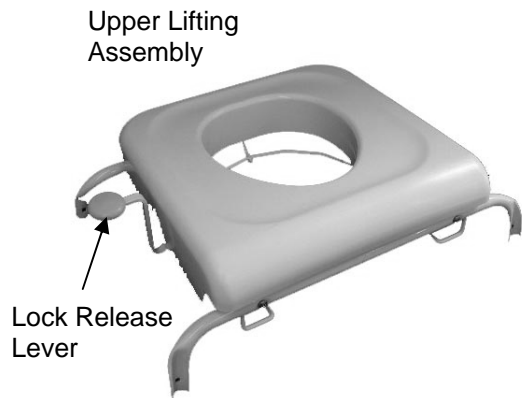
# I. Introduction

The Uplift Commode Assist is an automatic lifting commode. It helps the user gently lower and raise themselves from a seated position, supporting and lifting up to 80% of the person's weight. The lifting action is provided by a self-powered, specially designed lifting mechanism, which does not require the use of batteries or electricity.

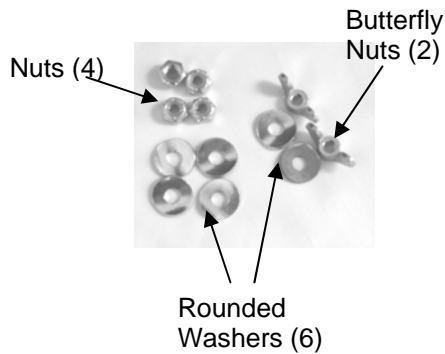
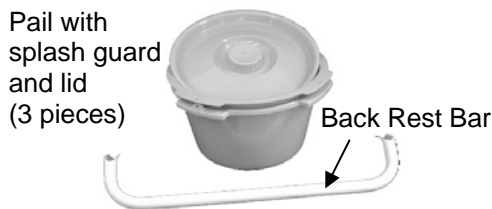
# II. Part Identification

Your new Uplift Commode Assist was designed for minimum assembly and tool requirements. Use this guide to ensure the correct assembly and usage of this product.

Tools required: 7/16" wrench



Hardware (in a clear, plastic bag taped to the arm of one of the legs)



### III. Assembly Instructions

#### a. Initial Setup

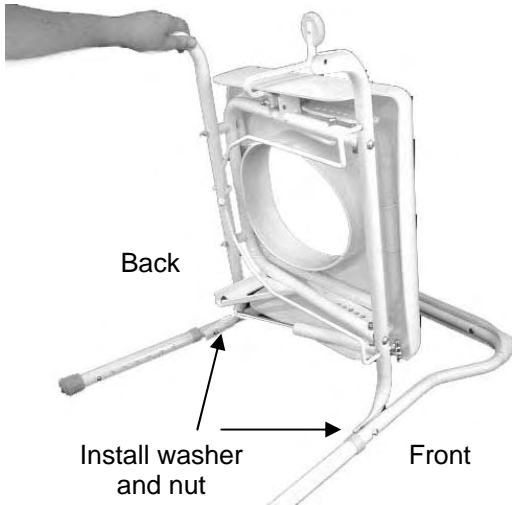


Figure A

Place one **Commode Leg** flat on the floor, with the front of the leg on the right hand side. Be careful to identify the front and back of these items. These are easily identified by the “F” for front and “B” for back labels located on the **Commode Legs**.

Remove and discard the clear, plastic protectors on the bolts. Hold the **Upper Lifting Assembly** with the lock release handle facing up toward the ceiling, (not facing the floor), and lowering the assembly onto the leg, affix the front bar of the **Upper Lifting Assembly** to the front of the leg. This is done by sliding the pre inserted bolt through the hole in the front bar of the upper lifting assembly, then placing a rounded washer and installing the nut. This should be hand tightened and then tightened securely using a 7/16” wrench. Then affix the back bar of the **Upper Lifting Assembly** to the back of the same Leg. (**Figure A**)

When this is complete, affix the other **Commode Leg**, front and back, to the **Upper Lifting Assembly**.

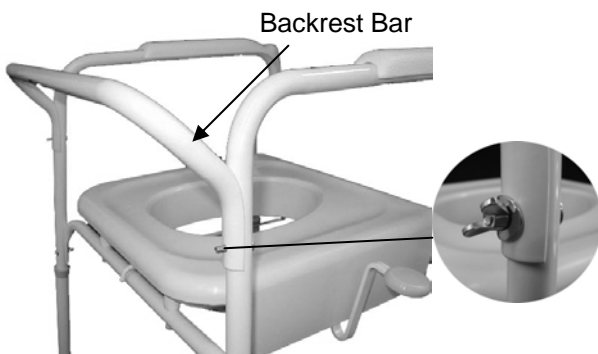


Figure B

The unit can now be placed in an upright position. (**Figure B**) Install the **Back Rest Bar** on the back of the unit by guiding the pre inserted bolts through the corresponding holes in the **Backrest Bar**. Affix to the unit by installing a washer, and butterfly nut. Hand tighten the butterfly nut.

## b. Setting the Weight

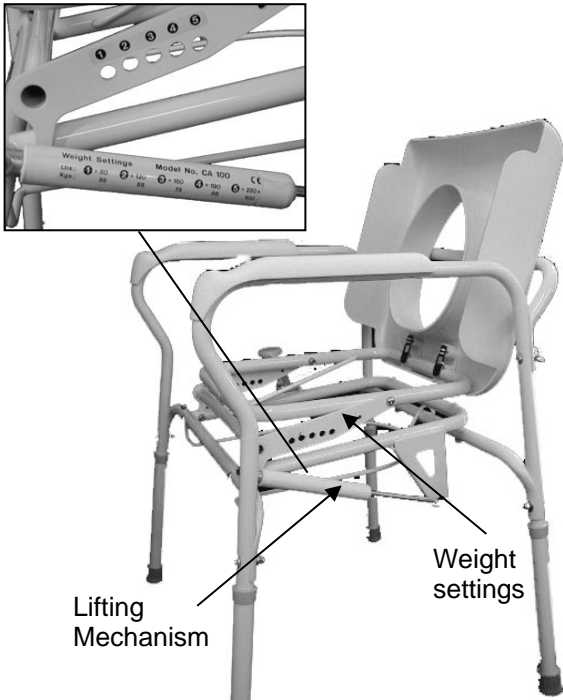


Figure C1

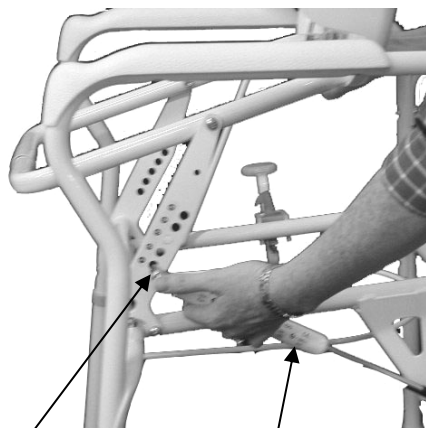


Figure C2

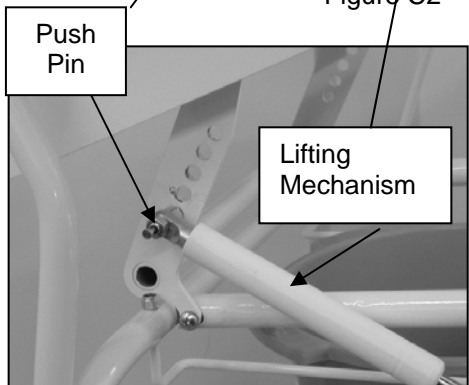


Figure D

Refer to the weight setting sticker to determine which number weight setting is most appropriate. If your weight falls between two settings, most users prefer to use the higher setting. Please note that these numbers are only a guideline, and it may be necessary to adjust weight settings before finding one that is most suitable. The setting is too high if the user has to force the seat to depress, but not high enough if the user does not obtain adequate lift.

Lift the **Plastic Seat** upright in order to provide easy access to the weight setting area (**Figure C1 and C2**). Note: Be careful to only raise the seat upright at a 90 degree angle, letting it stand in the upright position; putting force on the seat to go back against the back rest may cause the clips holding the seat to the lifting assembly to break.

Very gently press the **Lock Release Handle** to unlock the safety lock and allow the top bars of the assembly to be raised (**Figure D**).

Note that putting excessive force on this handle will result in damage to the **Lock Release Handle**.

Raise the top bars of the **Upper Lifting Assembly** from the back until the lifting mechanism lines up with the appropriate weight setting. Depress the small push pin (on the end of the lifting mechanism that is not attached to the unit), and place the metal pin through the appropriate hole. Once the small push pin is released, the lifting mechanism should be locked in place. Ensure this is firmly in place before using the unit. To adjust the weight setting, simply depress the push pin, remove from the weight setting slot, and place in desired slot.

### c. Attaching the Pail

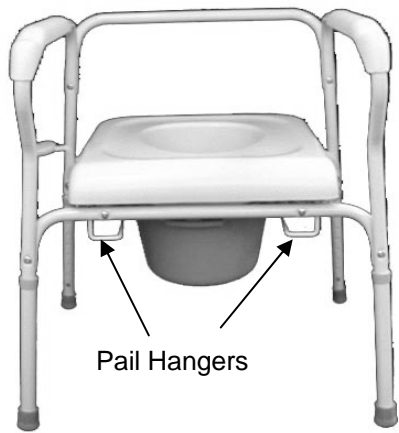


Figure E

A **Pail** is easily installed by sliding the **Pail** along the rails of the **Pail Hanger**. The hanger rails are located just below the front cross bar, as shown in **(Figure E)**. Occasionally in shipping, the rails may come out of place. Ensure the bolts securing the rails are flush with the front cross bar, so that the rails hang below the unit.

### d. Adjust leg height

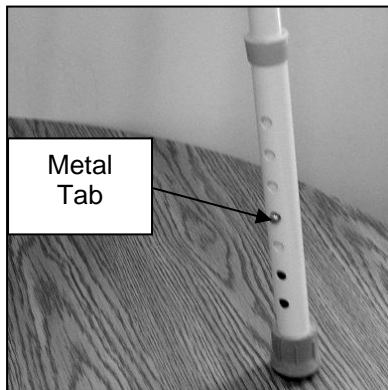


Figure F

Next adjust the legs for the users' height. All four legs can be adjusted by pushing in the metal tab and lengthening or shortening the leg as appropriate. The proper height for the Commode Assist is the highest height that the user can sit on the Commode Assist, with the seat in the flat, or locked position, and still have their feet firmly planted on the ground **(Figure F)**.

**Ensure that the leg height is at the same setting for all four legs.**

### e. Taking Care of Your Uplift Commode Assist

**Cleaning:** Use a soft cloth and warm soapy water. Be sure to dry thoroughly.

**Important:** Check hardware regularly to ensure all nuts and bolts remain secure.

## IV. Usage Instructions



Figure G

Before first use, make sure that the lifting mechanism is in place and set at the proper weight setting.

The user should back up to the Commode Assist, until they feel the **Plastic Seat** at the back of their legs; it will generally reach just above the backs of the knees. **(Figure G)**. Again, the users' feet should be flat on the floor, shoulder width apart. The users' hands should be firmly grasping the arm rests before sitting on the raised plastic seat.



Figure J

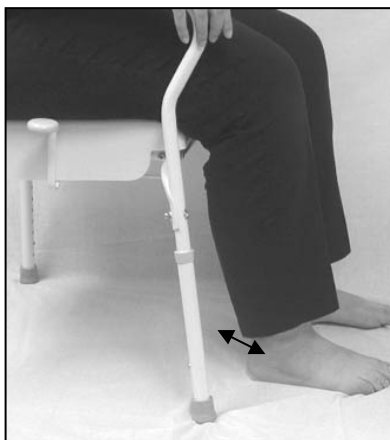


Figure H

The user should be sitting back on the toilet seat, not perched on the edge. This will apply the required weight to gently lower the user to a seated position. The Commode Assist will gently lower the user to the seated position. When the seat is in the flat position, there will be a "click"; this indicates the safety locking mechanism is locked.

To raise themselves, the user should be sitting with feet about shoulder width apart, heels of the feet approximately 1" in front of the legs of the Commode Assist. **(Figure H)**. Then the user should unlock the locking mechanism by gently, but completely, **(Figure I)** depressing the grey release handle. The user should not keep pressure on the release handle, pressing it once will unlock the safety lock.



Figure K

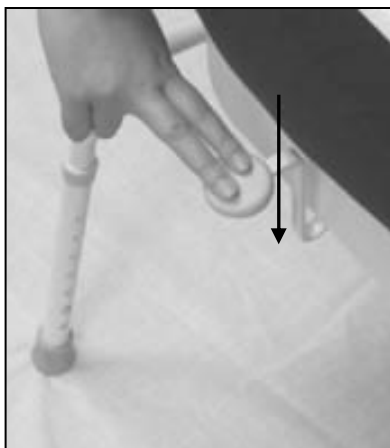


Figure I

Putting too much pressure on this may break the handle.

The user should then lean forward and push off with their arms and legs **(Figure K, L)**.



Figure L

## V. Using over a Toilet



Figure M

The Uplift Commode Assist may be used over a standard toilet. In order to use it in this manner it is necessary to make the following adjustments to the assembled Commode Assist.

1. Remove the **Pail** from the unit by sliding it out toward the front, along the **Hanger Rails**.
2. Remove the **Pail Hangers** from the unit by removing the bolts that affix the **Hanger Rails** to the front cross bar, using a 7/16 wrench, or pliers.
3. Take off the **Back Rest Bar** by removing the **Butterfly Nuts** securing the bar to the legs.
4. Depending on the height of the toilet, it will probably be necessary to adjust the legs to raise the assembly higher.

# WARRANTY

## Warranty Provisions

Uplift Technologies Inc. guarantees that the Uplift Commode Assist will be free from defects in material and workmanship for one year from the date of its original purchase.

The warranty does not cover damage due to normal wear and tear, neglect or misuse, nor is it transferable.

Please note that if you try to repair or alter the Uplift Commode Assist in anyway yourself, the warranty becomes void.

***Don't forget to mail your warranty card in today!***

## To Return a Product

### DEALERS:

We encourage all of our dealers to provide warranty service for Uplift consumers so that they do not experience delays in receiving a replacement unit. We will replace all returned units under warranty provisions (see Warranty Provisions for further explanation). Please note that returns will only be accepted with a Return Authorization Number. Please call 1 800 387 0896.

### CONSUMERS:

If the Uplift Commode Assist fails to function as warranted (see Warranty Provisions for further details), contact the original place of purchase. The distributor will replace your unit if it was purchased within the warranty period of one year. You will be required to supply date and proof of purchase.

For warranty service, return products to:



*Bringing quality to life.*

[www.up-lift.com](http://www.up-lift.com)