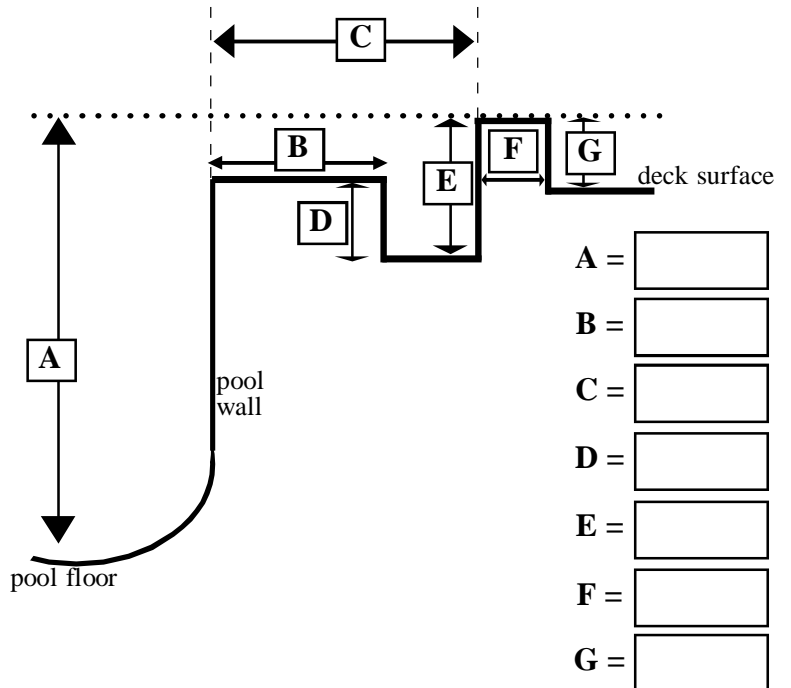
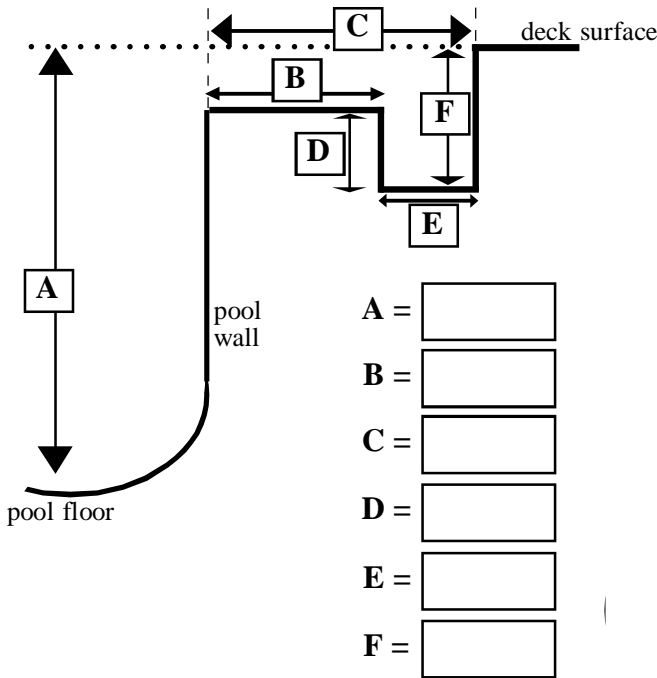
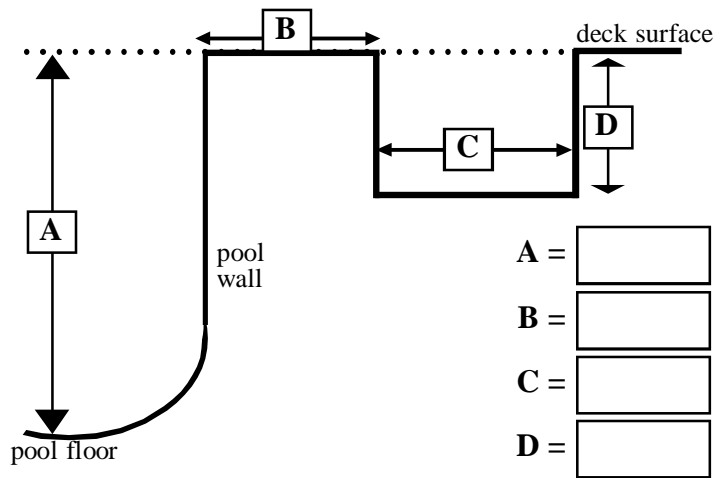
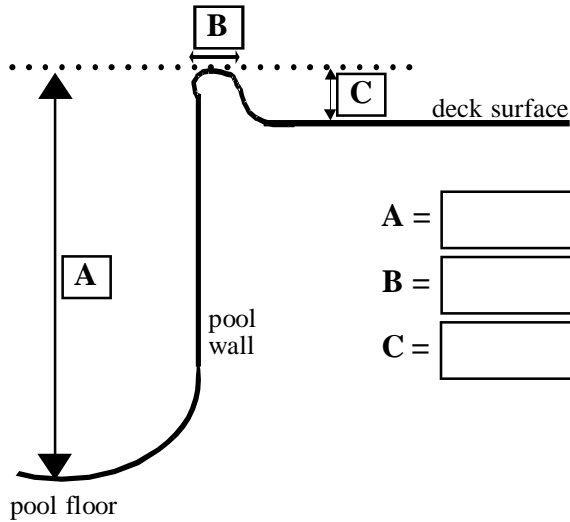


Gutter Detail Form

Locate the gutter detail drawing on this page that matches your gutter configuration. If your gutter configuration does not match a drawing currently on this form, then please draw your gutter configuration. Measure all the dimensions of your pool's gutter. Follow the gutter detail drawings as examples of what to measure. Input your gutter measurements into the appropriate gutter detail drawing provided or your own gutter detail drawing.

Important: Make sure measurement 'A' is from the pool floor to deck height along the pool wall and NOT the water depth.



REMEMBER: If your gutter configuration does not match a drawing above, please draw it on a separate sheet.