



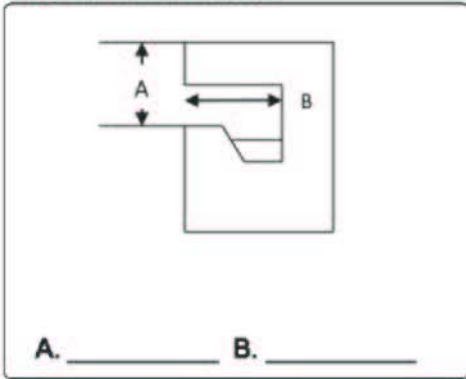
Customer Name \_\_\_\_\_

PO Number \_\_\_\_\_

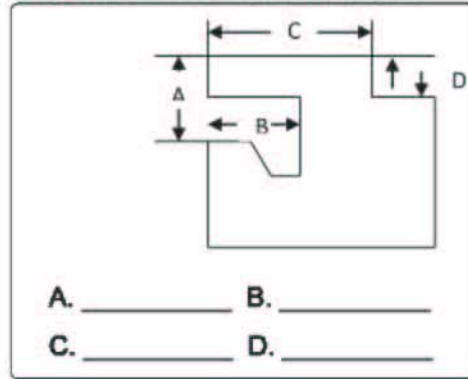
Email Address \_\_\_\_\_

Phone Number \_\_\_\_\_

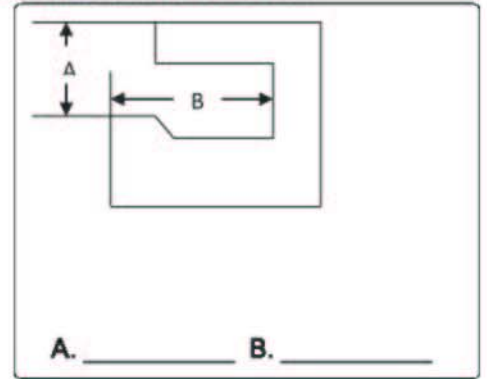
1. Fully Recessed Gutter



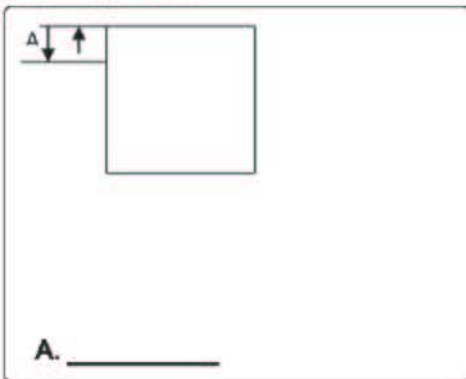
2. Fully Recessed Gutter w/ Parapet



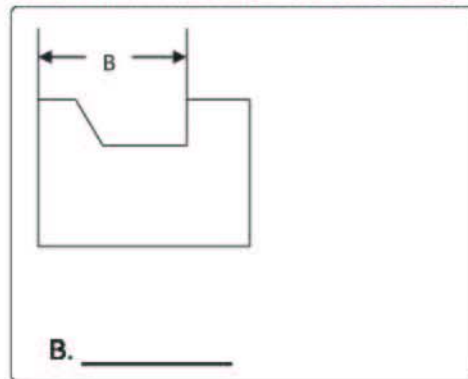
3. Partially Recessed Gutter



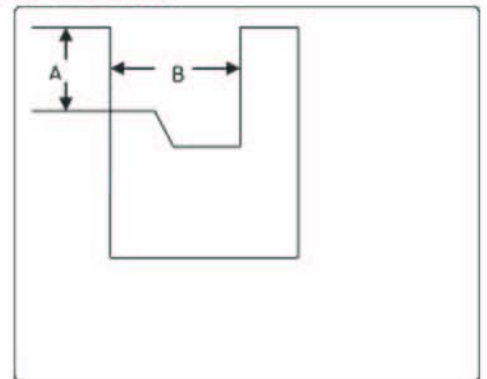
4. Gutterless Deck



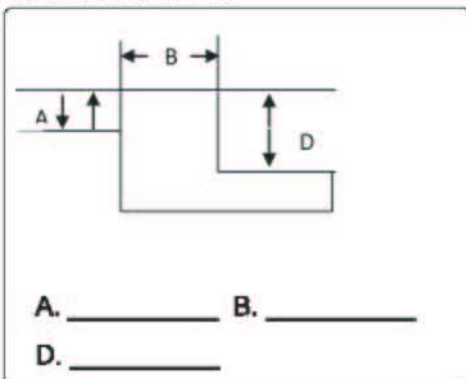
5. Flush Gutter & Deck (Bull Nose Optional)



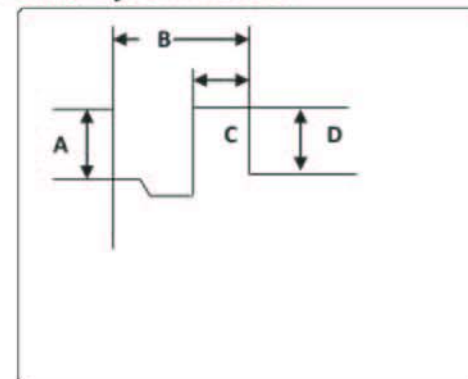
6. Rollout Gutter



7. Above Ground Pool



8. Gutter System w/ Curb



Legend

**A. = Distance from pool deck to water line**  
**B. = Width of Gutter**  
**C. = Width of Curb**  
**D. = Height of Curb**