



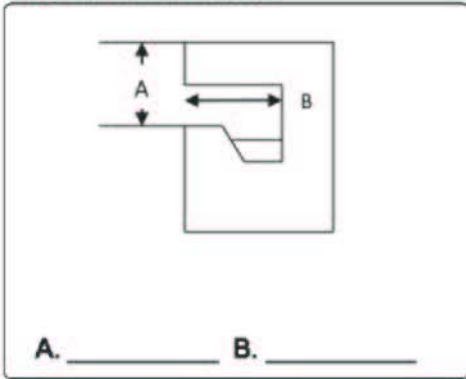
Customer Name _____

PO Number _____

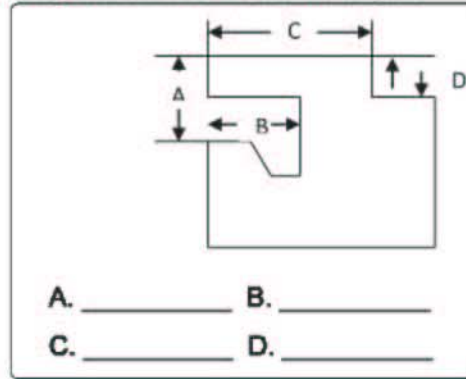
Email Address _____

Phone Number _____

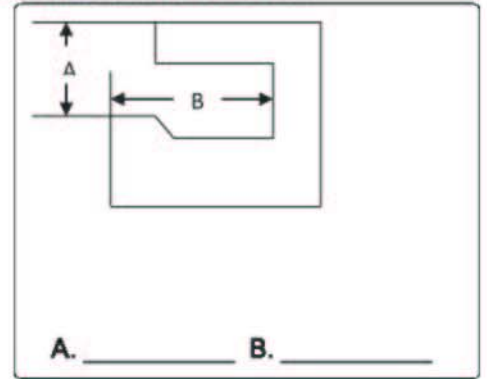
1. Fully Recessed Gutter



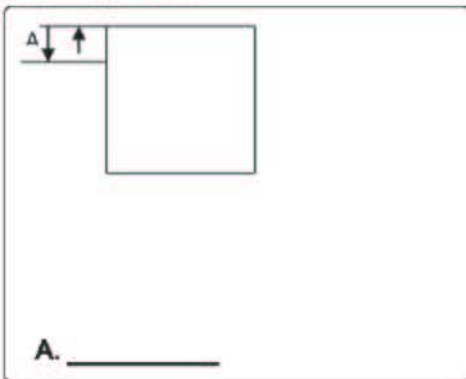
2. Fully Recessed Gutter w/ Parapet



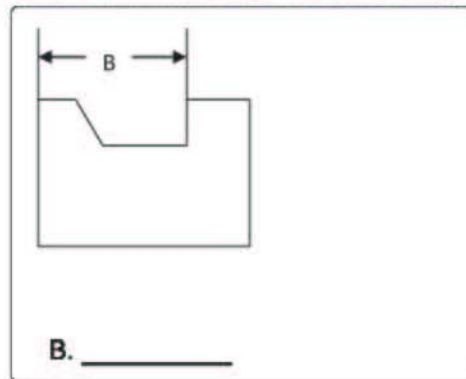
3. Partially Recessed Gutter



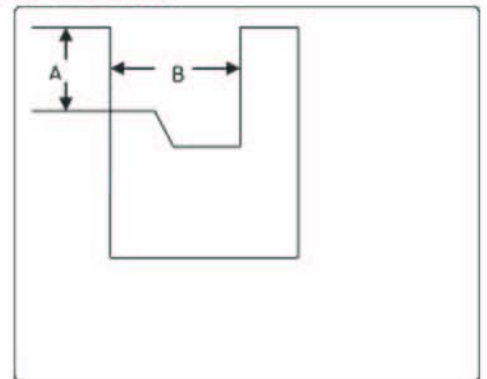
4. Gutterless Deck



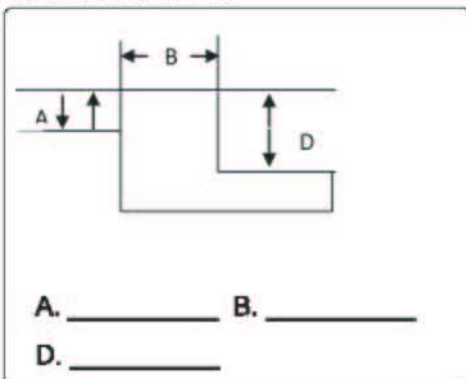
5. Flush Gutter & Deck (Bull Nose Optional)



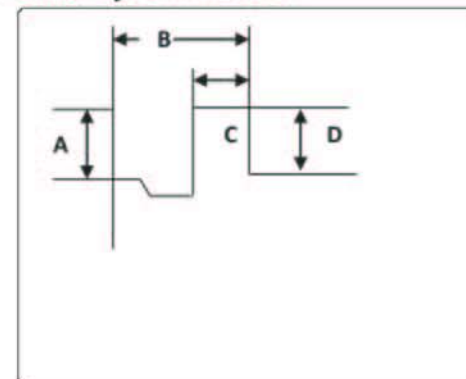
6. Rollout Gutter



7. Above Ground Pool



8. Gutter System w/ Curb



Legend

A. = Distance from pool deck to water line

B. = Width of Gutter

C. = Width of Curb

D. = Height of Curb