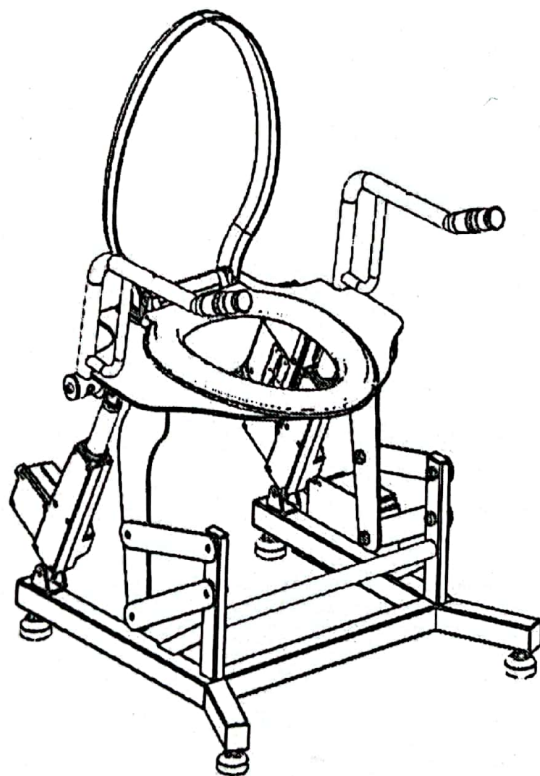


Instruction Manual

toilet lift seat

Model: TLS100-01 (Basic)



Please read the instruction manual carefully before using the product

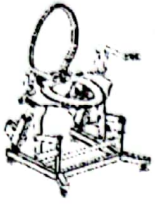
Preface

Thank you for purchasing our electric lifting toilet auxiliary chair products. Please read this manual carefully before use for correct operation and maintenance. Please keep the manual in a place where you can often read it.

Contents

Product packing list.....	1
Safety Precautions.....	2
Product dimension	3
Fast Installation guide	4
Instructions.....	7
Technical specifications.....	8
maintenance.....	9
Troubleshooting.....	9

Product packing list



Toilet lift seat x 1



armrest x 2



Hand control x 1



armrest screw x 2



leg leveler x 4



toilet lid x 1



Instruction Manual x 1
Warranty Card x1



M10 Allen key x 1

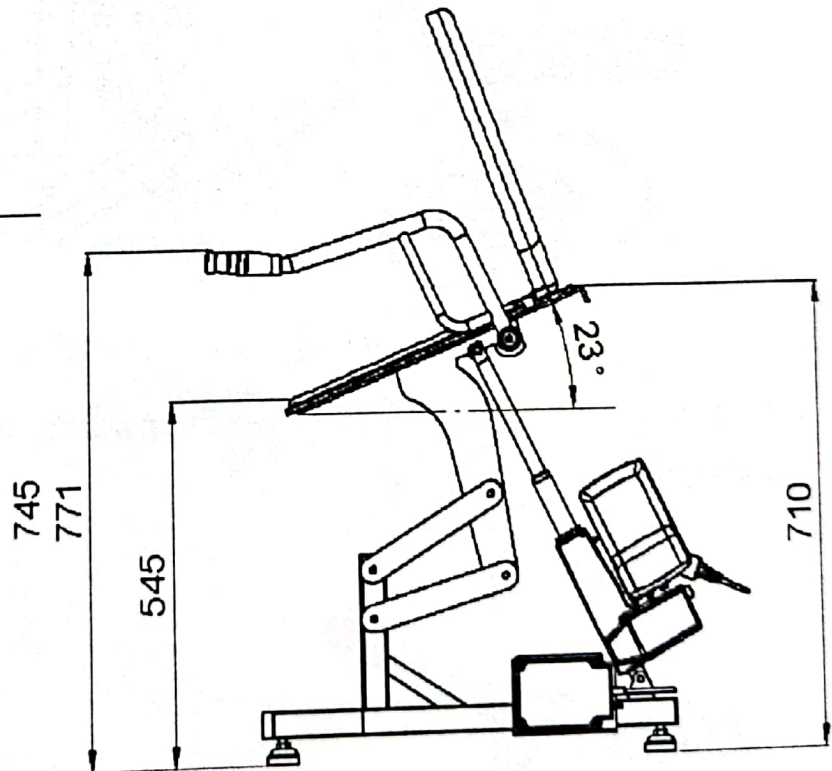
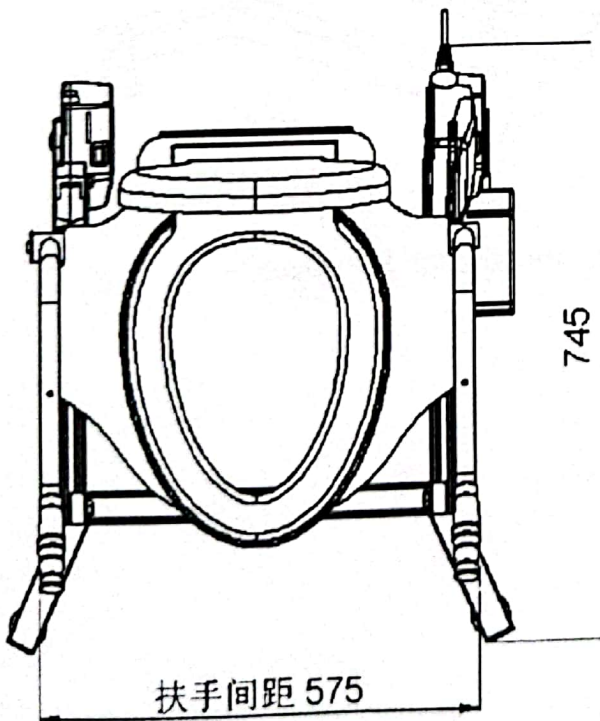
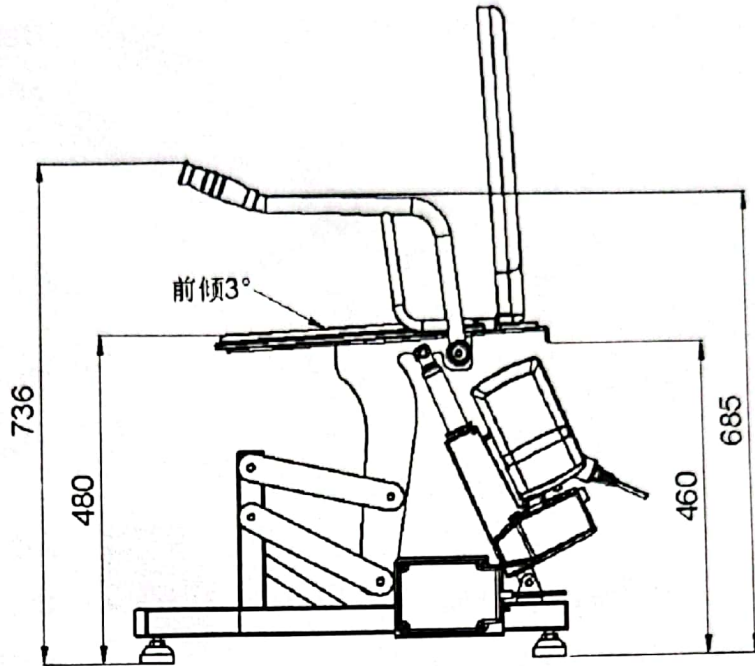
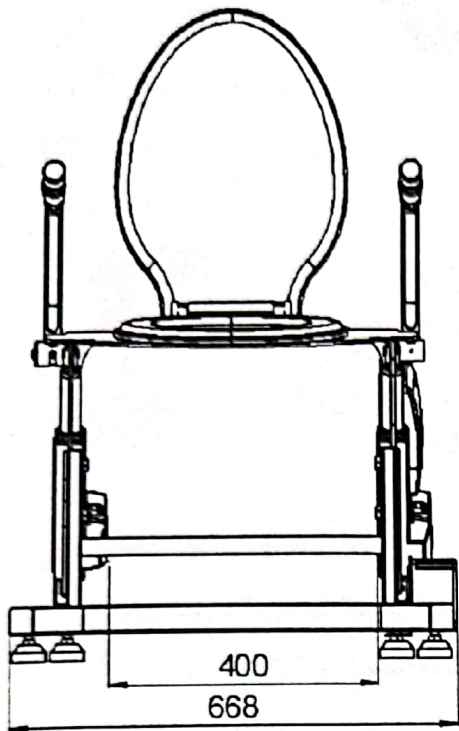


wrench x 1

Safety

- Be sure to read the manual carefully before installation, and perform the correct operation in accordance with the content of the manual.
 - The following precautions are important safety-related contents, so please be sure to observe them.
1. When using, it is forbidden to put your hands outside the armrests to avoid pinching your hands.
 2. Human factors are forbidden to cause damage to the power cord and power plug; if the power cord is damaged, in order to avoid danger, please seek professional replacement.
 3. It is forbidden for people over 150Kg to use this product, so as not to cause people to fall or be injured due to damage to the product.
 4. It is forbidden to touch the power plug and socket with wet hands, otherwise it may cause a fire or electric shock.
 5. Switch cords and power cords should not be arbitrarily placed to avoid falling and injury.
 6. It is forbidden to disassemble, repair or modify the product without authorization to avoid product failure.
 7. It is forbidden to clean the product and the power plug with water or detergent.
 8. It is forbidden to use candles, mosquito coils, smoke and other pyrotechnics and volatile combustibles near the fire.
 9. It is forbidden for children to play, otherwise they may be injured.
 10. It is forbidden to place things on the lifting toilet aid, otherwise things may slip off.
 11. It is forbidden to hit the product with hard objects, otherwise it may be damaged.
 12. It is forbidden to stop the lifting and lowering of the lifting toilet auxiliary chair when it is in use.
 13. It is forbidden to clean the product with acidic, alkaline detergent, abrasive cleaner.
 14. It is forbidden to place things near the lift-type toilet auxiliary chair, otherwise the lift may be inhibited.

Product dimensions

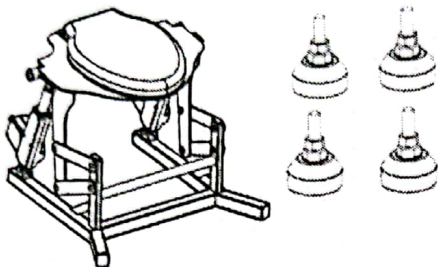


Fast Installation guide

1. Foot

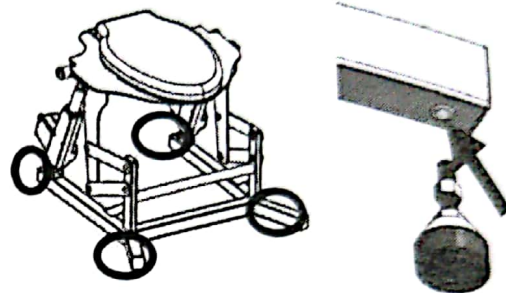
1

First, take the toilet chair out of the carton and prepare 4 feet.



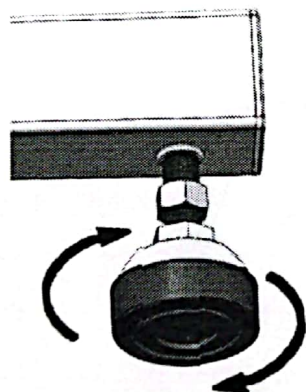
2

Lift the 4 feet of the bottom frame of the toilet seat in turn, and align the feet with the screw holes at the bottom.



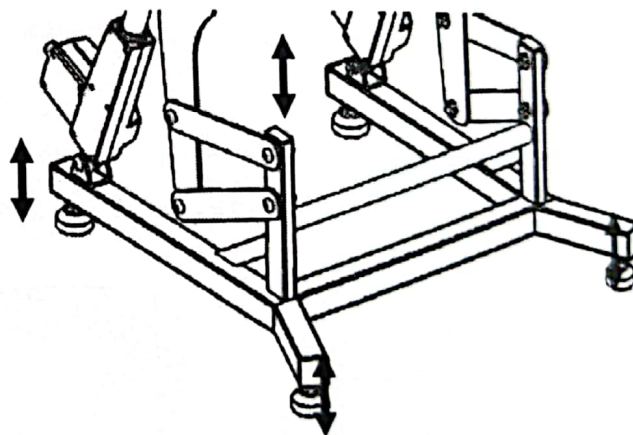
3

Screw the feet.



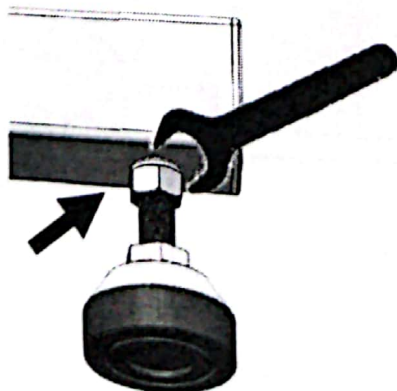
4

Adjust the screwing height of the foot to make the toilet seat steadily placed.



5

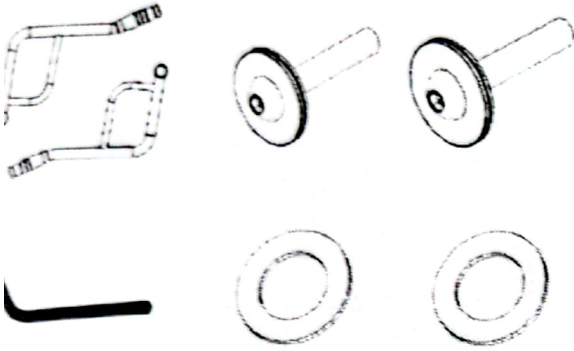
Tighten the anchor nut with a wrench upwards, and the installation is complete.



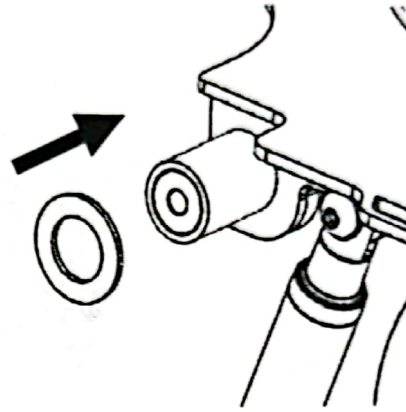
Fast Installation guide

2. Armrest

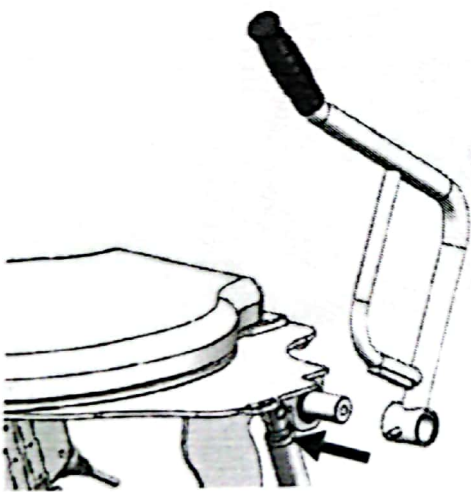
1 Get ready to install accessories and wrenches.



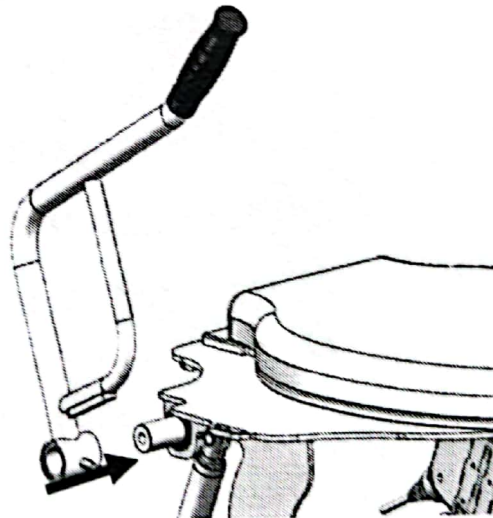
2 Install the white plastic gasket.



3 Install the left armrest.



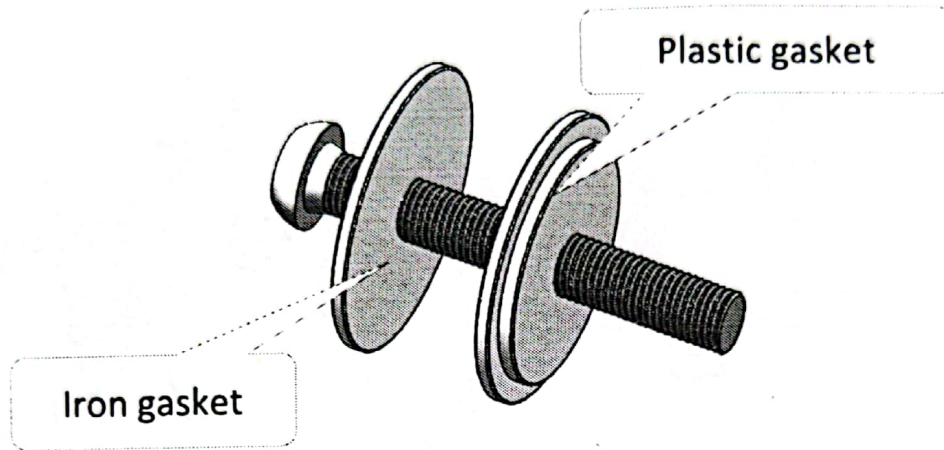
4 Install the right armrest.



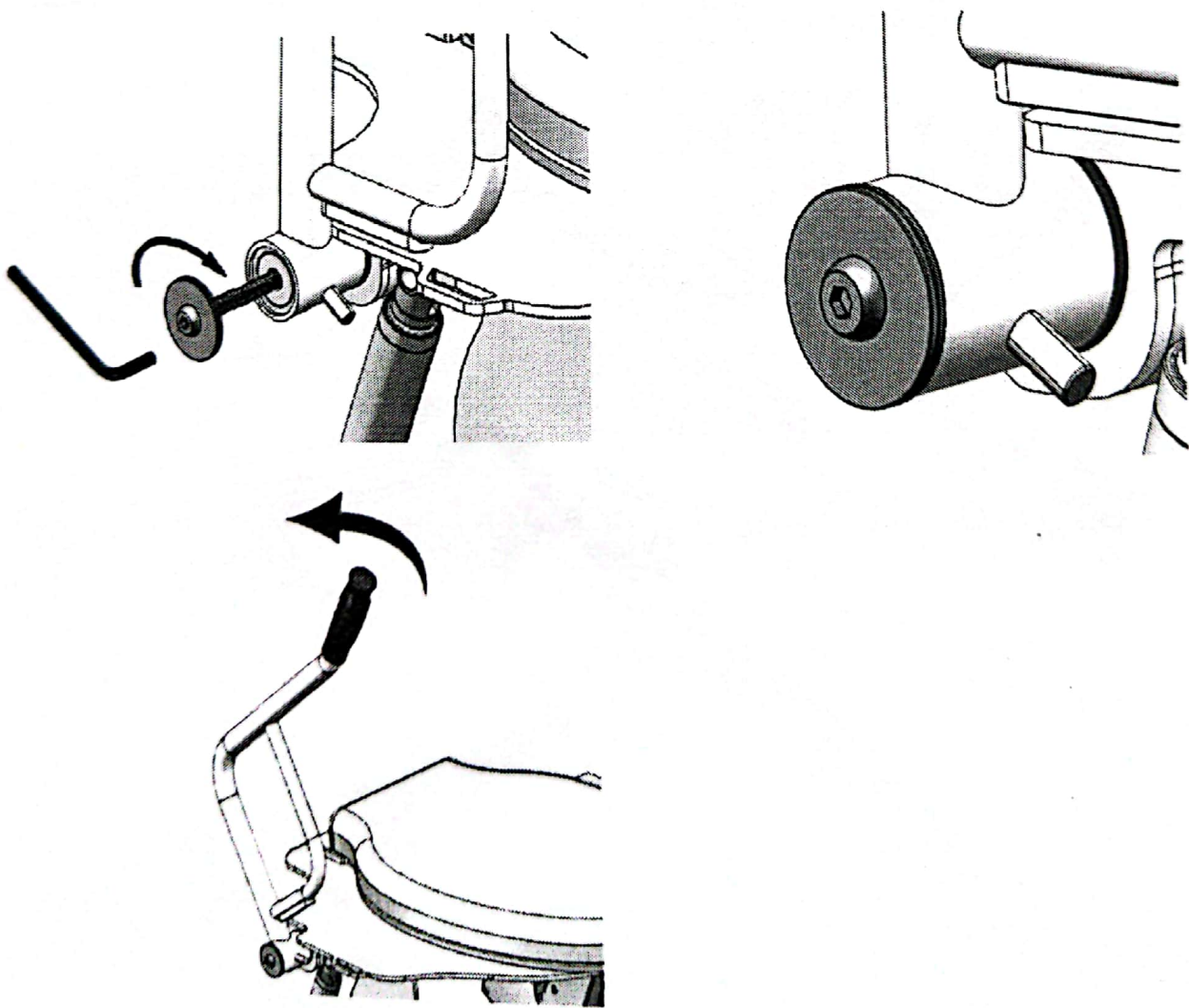
Fast Installation guide

3. Armrest

5 Handrail fastening screw assembly.

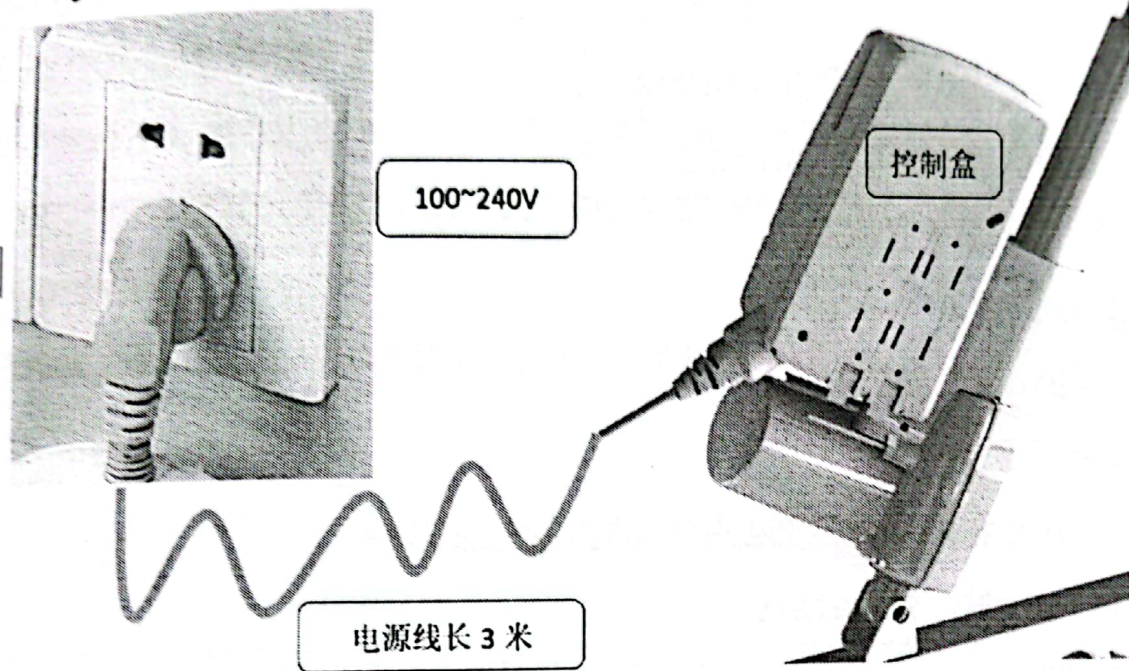


6 Install the fastening screw assembly, and the installation is



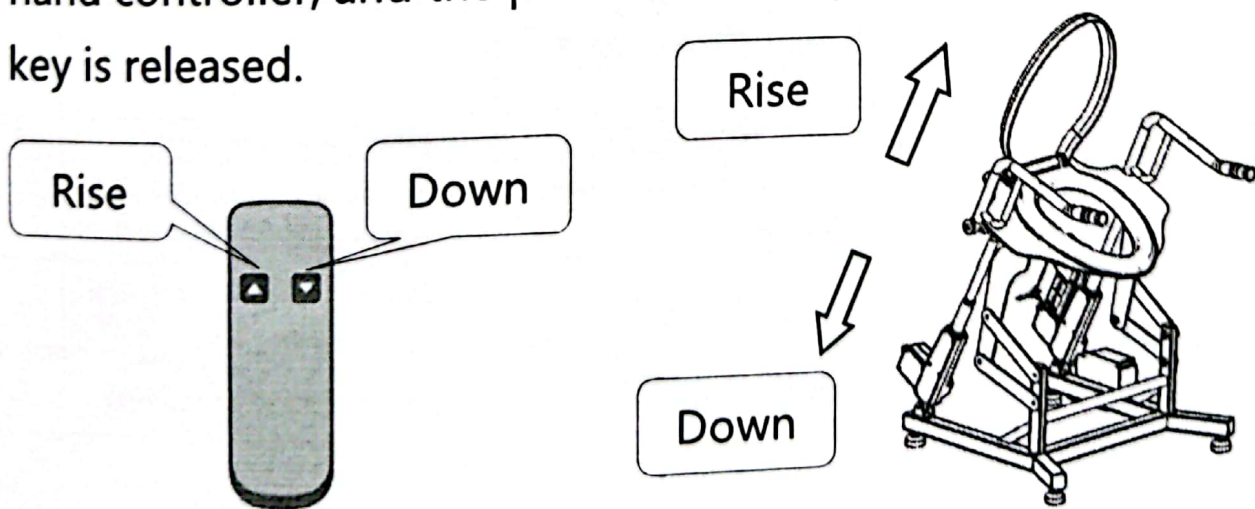
Instructions

Step 1: Connect the power cord extended from the product control box to the indoor socket, and the product can be used normally.



Step 2: How to use the hand controller

The user can control the rising and falling of the product by continuously pressing the up and down control keys of the hand controller, and the product will stop running when the key is released.



Technical specifications

Body size: length 720 x width 611 x height 770mm

Body surface: Powder coated Steel plate

Rated power supply: AC220V50Hz

Drive mode: DC motor push rod

Load weight: below 150Kg

Lifting angle: 0~23°

Product weight: 25.2Kg

Rated power: 72W

Operation switch: manual button manipulator

Power cord length: 3 meters

Waterproof rating: ordinary splash

Flip armrest: Flip backward 90° horizontally, load-bearing $\leq 50\text{Kg}$

Maintenance

In order to keep the product durable, the user is requested to maintain it according to the following methods.

- ① Wipe often with a soft cloth.
- ② Do not use toilet cleaning powder, decontamination powder, machine oil, strong acid, strong alkaline detergent or detergent containing particulate matter, nylon brush to clean this product.
- ③ After cleaning, wipe the surface of the product with a dry

Troubleshooting

No.	Fault content	Confirmation items	processing method
1	There is a strange noise	Is the bracket connector loose	Tighten the connecting piece screw
		Is there any abnormal noise from the driving device	Replace the drive with abnormal noise
2	Ontological instability	Is the support foot loose	Tighten the support foot screw
		Are all four feet in contact with the ground	Adjust the support foot height
		Is the bracket connector loose	Tighten the connecting piece screw
3	One side drive operation	Is the line broken	Check the circuit
4	The two side drives are not synchronized	Loosen one end of the drive, extend the drive to the longest and then fix it again	
5	Drive on both sides does not work	Is the line broken	Check the circuit
5	The drive works slowly	Is it overloaded	The maximum load cannot be exceeded