

R82<sup>®</sup> 

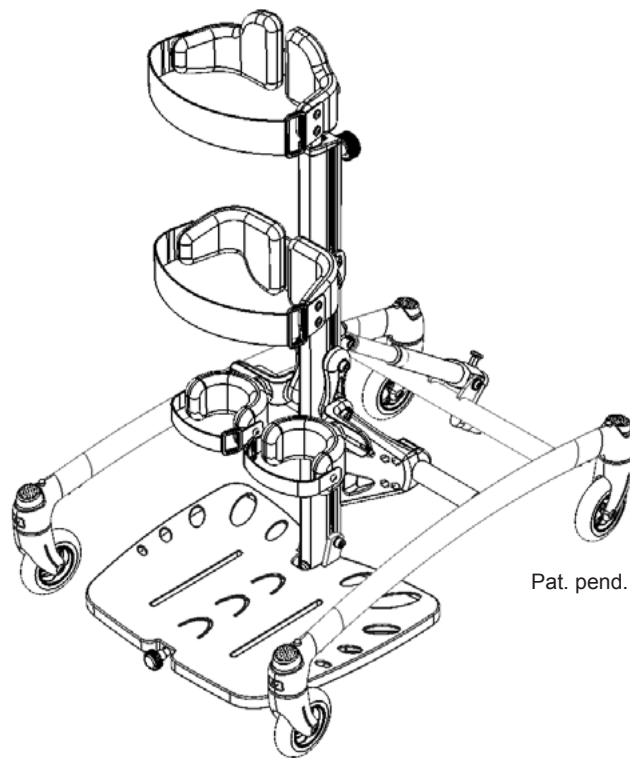
toucan<sup>™</sup>

English user manual

G  
B

## **GB** CONTENTS

Safety .....	4
Guarantee.....	4
Tools .....	4
Maintenance .....	4
Ready for use .....	5
Angling of the centre bar .....	6
Wheel locks .....	6
Mounting and adjustment of the foot plate .....	7
Mounting and adjustment of individual foot supports .....	8
Extra chest infill cushion .....	8
Mounting of flip-up sandals / heel supports.....	9
Knee supports .....	9
Hinged knee supports.....	10
Abdominal support.....	10
Hip support, rear.....	11
Head support.....	12
Hip support, front.....	13
Hip supports de-rotational .....	13
Tray with bowl.....	14
Armrest for tray.....	14
Chest support .....	15
Sliding Extension for centre bar.....	15
Product identification .....	16
Measurements.....	17
Technical data.....	18
Producer .....	18
Distributor .....	18
Care and maintenance .....	19
Troubleshooting.....	20



## **GB** TOUCAN

The Toucan is a modern standing frame providing users the possibility of standing and having weight bearing through their feet. It is important to have the possibility to stand at an early age. Further it is not about standing for a long time but about standing often.

This user manual is a guide to assist in gaining the full benefits of the options offered by the Toucan. Therefore, we recommend that you read this manual before using the frame.



## **GB** SAFETY

The Toucan conforms to the CE-mark. This certifies that it meets all relevant European safety requirements.

The durability of this product is 5 years when it is used on a daily basis and regular maintenance has been performed. Hereafter we recommend that the product should be renovated (by R82 personnel) to extend the lifetime.



Remove the CE-mark, when re-building the product or when using other than original R82 spare parts and fittings.



Never leave your child unattended in this product. Ensure constant supervision by an adult. Incorrect use of the Toucan, may cause serious injury to the user. Take care that all the fixations and adjustments are placed and fitted correctly and check it on a regular basis.

## **GB** GUARANTEE

Any R82 product, bought from a R82 dealer includes a guarantee against defects in production and materials. There is a 5 year guarantee on frame breakages under normal use and maintenance.

The guarantee is given by the R82 dealer or subsequent R82 representative.

The guarantee can only be sustained if the R82 product is in use in the same country as it was produced for. The guarantee does not cover accidental damages, including damages caused by misuse or neglect. The guarantee is invalid if the serial number is removed, or if the product is repaired or changed by other than authorized R82 staff.

## **GB** TOOLS

Tools are delivered with the Toucan: 5 & 6 mm allenkey. This key is used to perform some of the adjustments described in this manual.

## **GB** MAINTENANCE

Clean the standing frame on a regular basis.



Do not use any cleaning materials containing chlorine or methylated spirit.



Adjustments which are not described in this manual, must only be made by authorized R82 personnel.

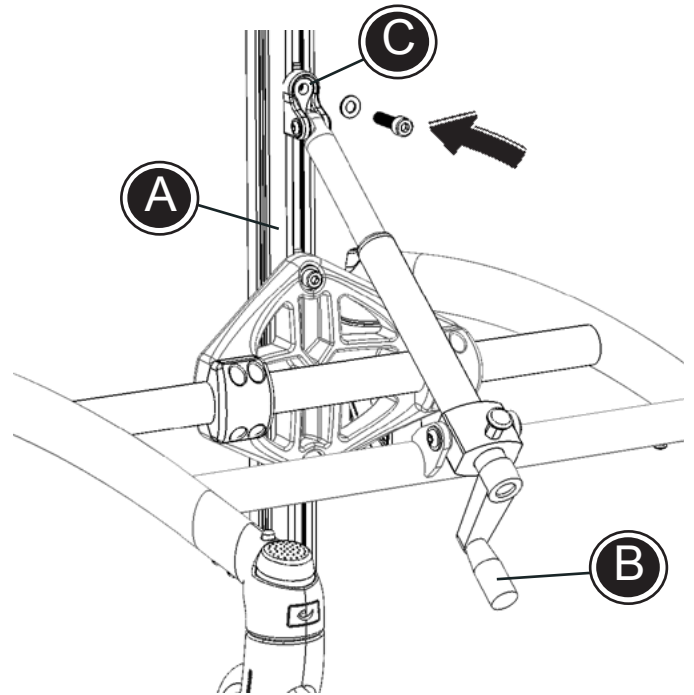
## **GB** READY FOR USE

The Toucan is delivered in parts and without accessories so as to take up as little room as possible during transportation. To assemble your Toucan ready for use, please follow the description below.

### Size 1+2+3:

Fasten the spindle for angle adjustment the following way:

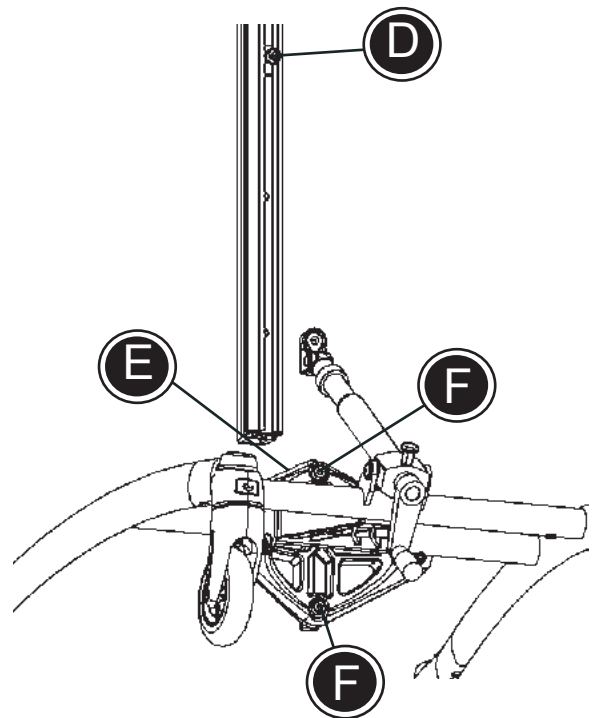
- \* Tip the centre bar (A) into the vertical position
- \* Turn the handle (B) to fit the holes in both centre bar and fitting (C) into the same level.
- \* Push the square plate in the centre bar up and secure it beneath the fitting (C).
- \* Mount the bolt with the washer and fasten into the square plate in the centre bar using the enclosed 6 mm Allen key.



### Size 4+5:

The centre bar has been dismantled before shipment to make the Toucan size 4+5 take up as little room as possible during transportation. Follow the description below to mount the centre bar correctly.

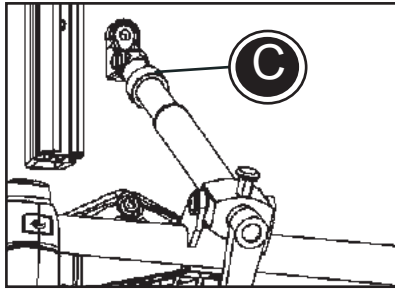
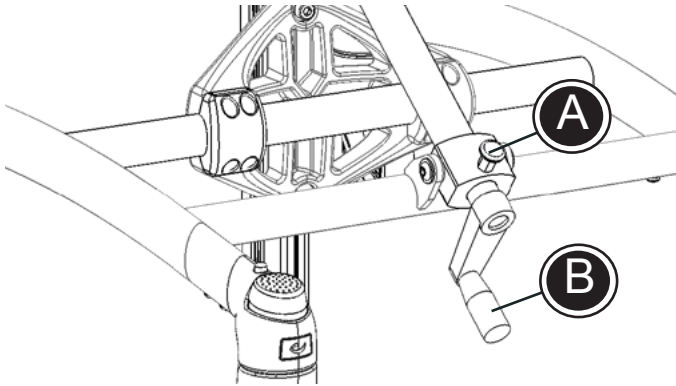
- \* Dismount and keep screws and washers (D)
- \* Mount the centre bar on the square fittings on the centre plate of the frame (E)
- \* Fasten the screws (F) through the holes in the centre plate and into the centre bar.
- \* Then follow the description described above for size 1+2+3.



**!** Check and re-tighten the bolts on a regular basis.

The Toucan is now ready to receive any accessories ordered.

**!** Do not place a user in the Toucan if it has been standing in/exposed to the sun. For the safety and comfort of the user the Toucan must be moved away from the sun and allowed to cool before use.



## GB ANGLING OF THE CENTRE BAR

The angle of the centre bar / standing frame is adjustable either with or without a user in the Toucan.

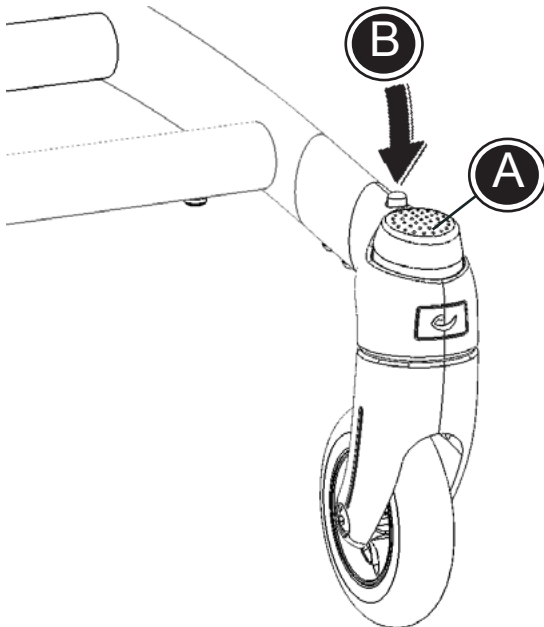
- \* Pull out the security lock "(A)" to be able to angle the centre bar / standing frame. Turn the handle (B) to desired angle. Let go of the security lock to maintain the desired position.

**!** The Toucan size 4+5 is equipped with a small ring (C). This ring allows a maximum angle adjustment of 20°.

## GB WHEEL LOCKS

The Toucan is equipped with wheel locks on all 4 wheels. Lock the wheels individually pushing down the button (A). Un-lock the wheels by releasing the red button (B).

**!** The wheels should be locked when in use. We do not recommend locking the wheels when stored for extended periods.



## **GB** MOUNTING AND ADJUSTMENT OF THE FOOT PLATE

Follow the description below to mount the foot plate correctly. We recommend dismantling the square plates (A) from the foot plate before mounting.

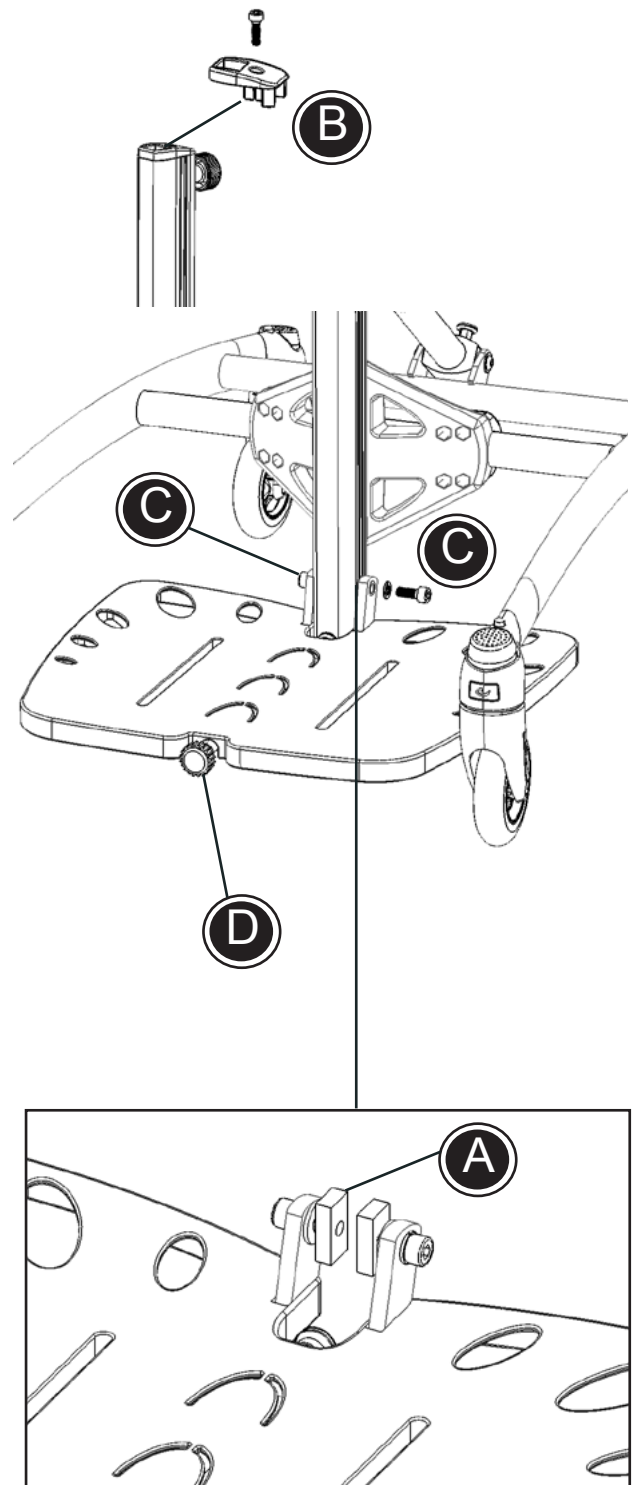
### Tip!

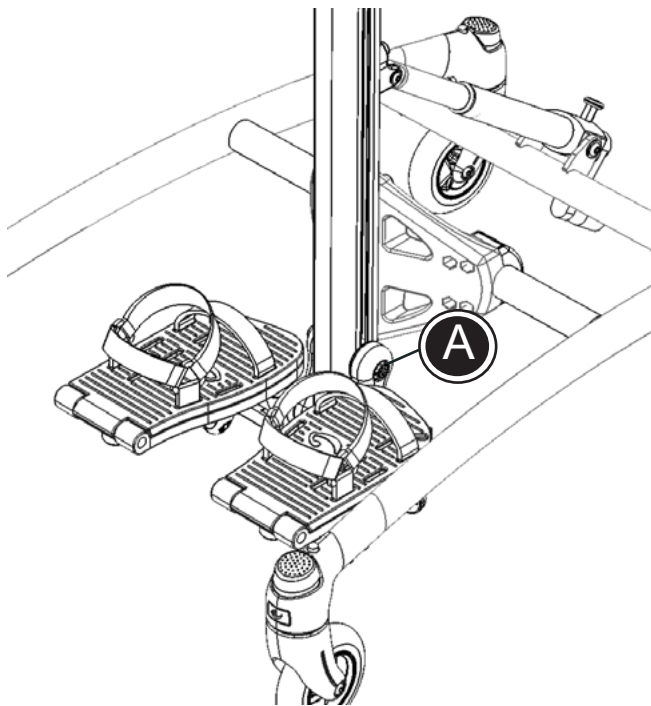
In general we recommend that you mount all accessories from the top of the centre bar which is why the lower accessories must be mounted first.

- \* Dismount the top part (B) in the top of the centre bar using the enclosed 5 mm allen key.
- \* The square plates (A) from the foot plate should be mounted in the slots on the centre bar. Let them slide all the way down the centre bar.
- \* Mount the foot plate onto the square plates in the centre bar using the enclosed bolt (C) and the 6 mm Allen key.

Turn the handle (D) to angle adjust the foot plate.

Loosen the bolts (C) in both sides of the centre bar and height adjust the foot plate. Fasten the bolts in the desired position.





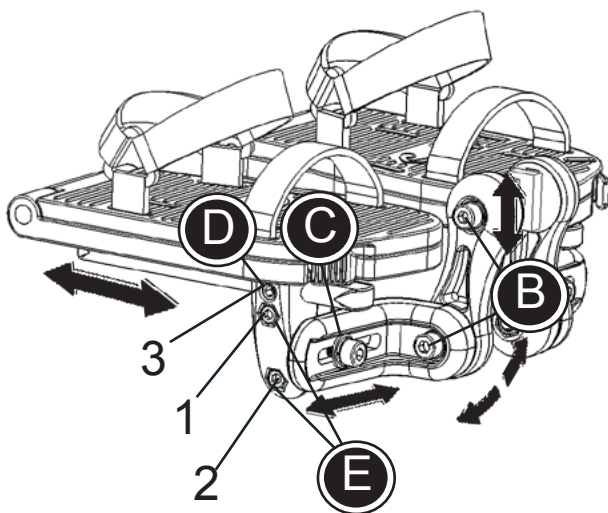
## GB MOUNTING AND ADJUSTMENT OF INDIVIDUAL FOOT SUPPORTS

Follow the description below to mount the foot supports correctly. The foot supports are mounted separately and can be adjusted individually.


- \* The square plates mounted on the foot support, should be mounted in the slot on the centre bar as for the foot plate.
- \* Adjust the height and fasten the screw (A) using the 6 mm Allen key.

### Tip!

In general we recommend to mount all accessories from the top of the centre bar which is why the lower accessories must be mounted first.



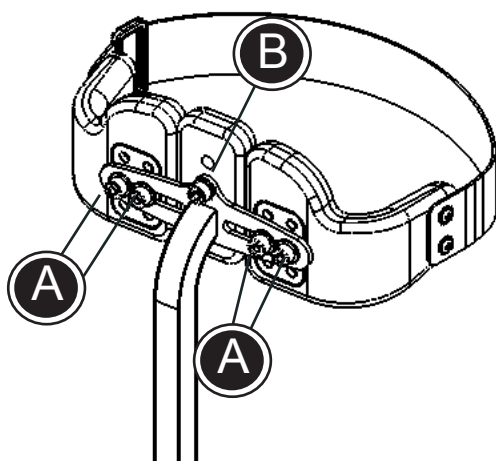
Loosen the screws (B) to adjust the height and angle of the foot supports. Adjust the foot plate sidewise (C) and in depth (D). Loosen the screws (E) to adjust the angle of the foot plate. Make sure to fasten the screws (D) and (E) in the recommend order; 1, 2, 3.


 Make sure that all screws are fastened securely before use.

## GB EXTRA CHEST INFILL CUSHION

Move the cushions on the chest support or the hip support to the side by loosening the bolts (A) to make room for the extra cushion.

Place the extra cushion in the middle between the cushions, and tighten the bolts (A) and (B).



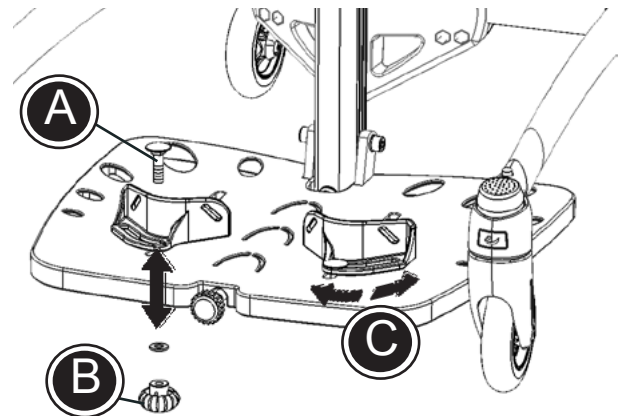
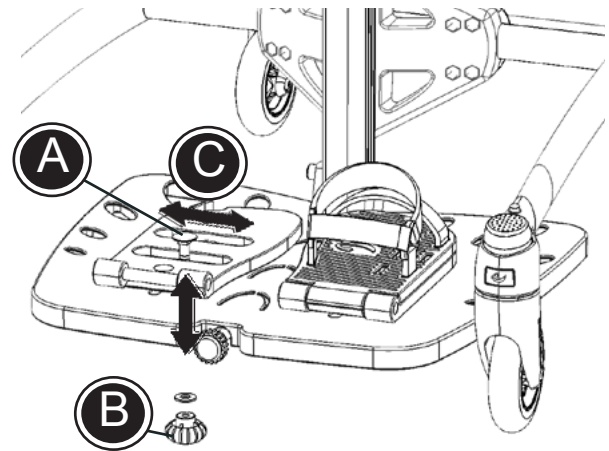
 Can be mounted on the chest support and hip supports size 2 and 3.



## GB MOUNTING OF FLIP-UP SANDALS / HEEL SUPPORTS

Follow the description below to mount the flip-up sandals / heel supports correctly.

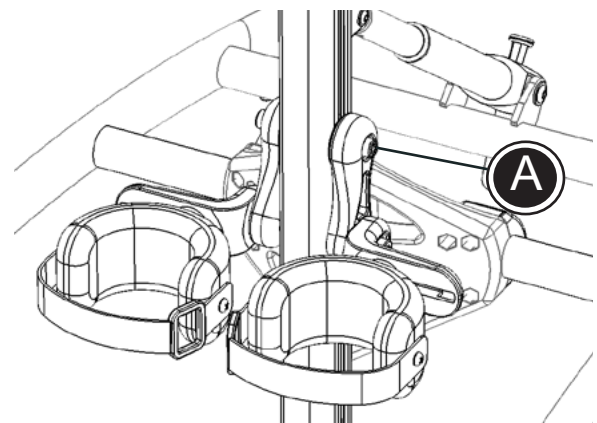
- \* Place the enclosed bolt (A) in the slot from the top of the footplate/heel support and fasten with the fingerscrew (B).
- \* The flip-up sandal / heel support can be adjusted forward or/and backward depending on the desired placement (C). Fasten the fingerscrew beneath the foot plate in the desired position.



## GB KNEE SUPPORTS

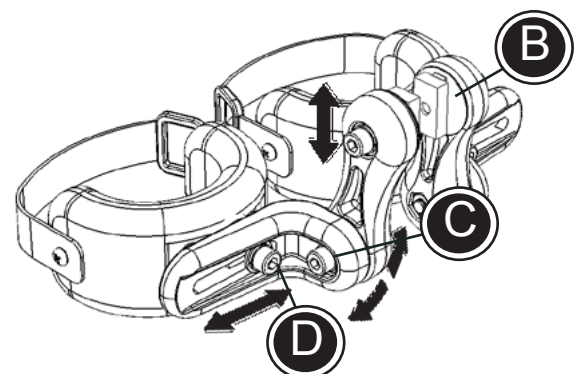
Follow the description below to mount the knee supports correctly. The knee supports are mounted separately and can be adjusted individually.

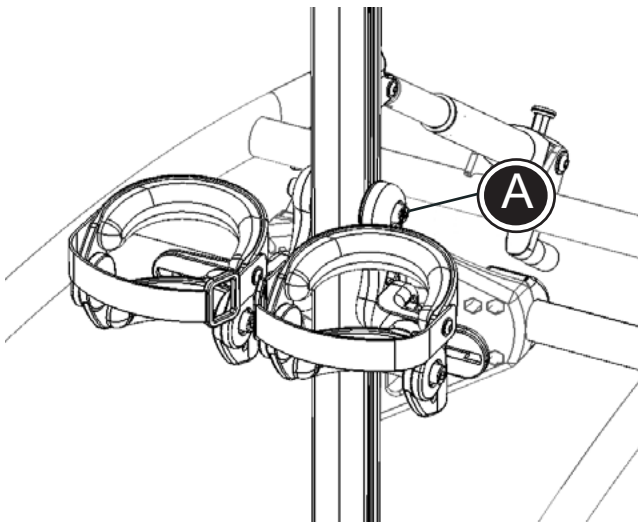
- \* The square plates on the knee support should be mounted in the slot on the centre bar.
- \* Adjust the knee support to the desired height and fasten (A) using the enclosed 6 mm allen key.



**!** Make sure that the fitting (B) is in the vertical position when the knee support is mounted. (not for size 1).

- \* Loosen the screw (C) and adjust the angle of the foot support. Fasten in the desired position.
- \* Loosen the screw (D) and adjust the knee supports sidewise.




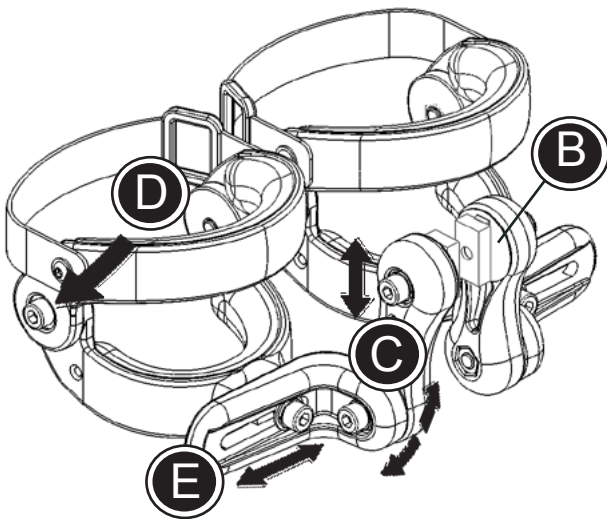


## **GB** HINGED KNEE SUPPORTS

Follow the description below to mount the hinged knee supports correctly. The knee supports are mounted separately and can be adjusted individually.

- \* The square plates on the knee support should be mounted in the slot on the centre bar.
- \* Adjust the knee support to the desired height and fasten (A) using the enclosed 6 mm allen key.

 Make sure that the fitting (B) is in vertical position when the knee support is mounted. (not for size 1).

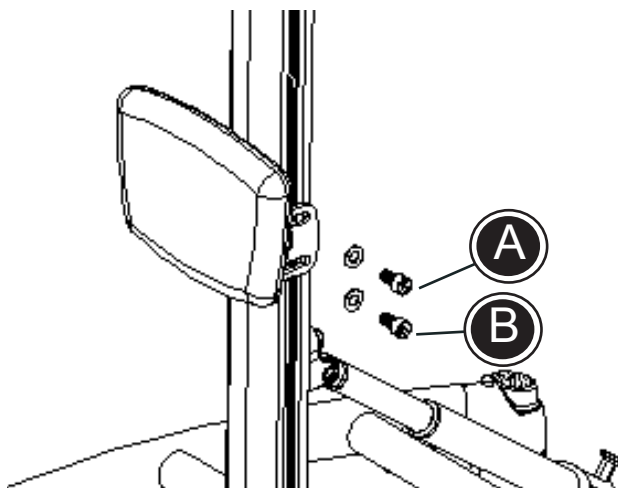


- \* Loosen the screw (C) and adjust the angle of the foot support. Fasten in the desired position.
- \* Loosen the screw (D) to angle the support around the knee. Use the enclosed 5 mm allen key.
- \* Loosen the screw (E) and adjust the knee supports sidewise.

## **GB** ABDOMINAL SUPPORT

Follow the description below to mount the abdominal support correctly.

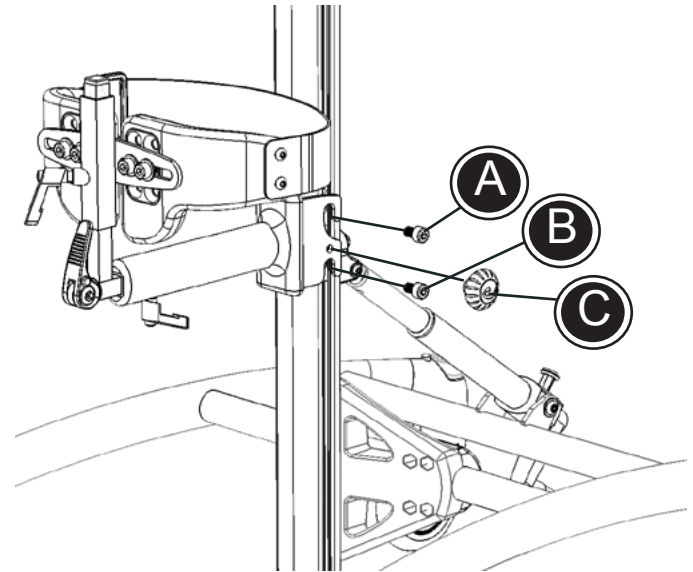
- \* Mount the two square plates in the slots on both sides of the centre bar.
- \* Mount bolts (A) in the upper square plates and fasten lightly. Do not fasten completely before the four bolts have been placed correctly.
- \* Mount bolts (B) in the lower square plates. Move the bolts (A) + (B) and plates upwards until they fit into the fitting from the abdominal support. Now fasten all four bolts securely using the enclosed 6 mm allen key.



## **GB** HIP SUPPORT, REAR

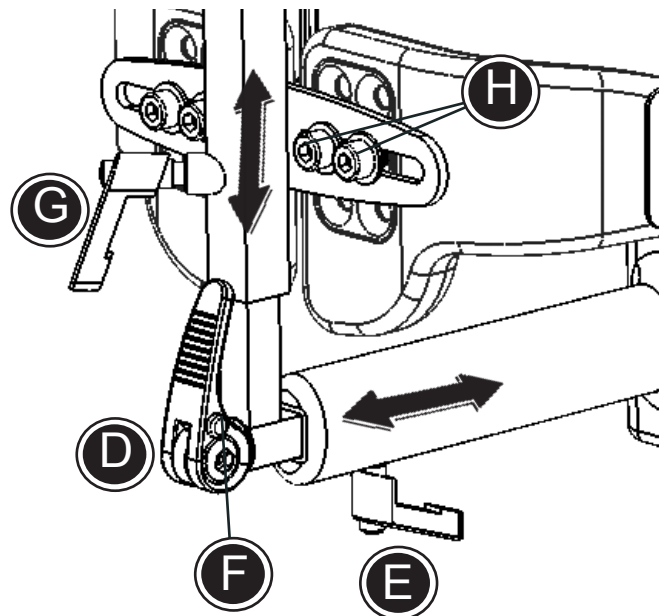
Follow the description below to mount the hip support correctly:

- \* Mount two square plates in the slots on both sides of the centre bar.
- \* Mount bolts (A) in the upper square plates and fasten at the desired height using the enclosed 6 mm allen key.



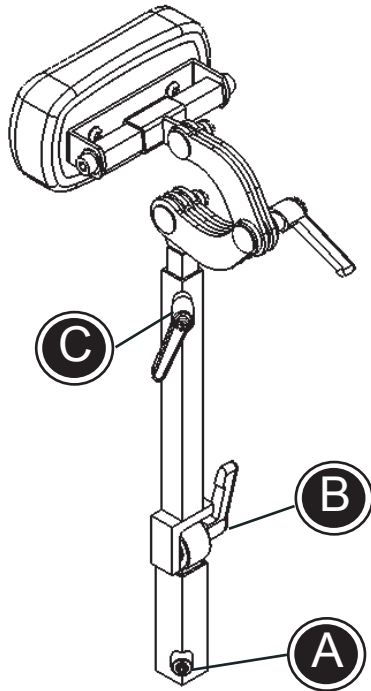
**!** Be aware that the height of the top square plates is the same on both sides of the centre bar. If not, adjust into position.

- \* Mount the fitting from the hip support on the top bolts.
- \* Mount bolts (B) in the lower square plates. Move the bolts and plates upwards until they fit into the fitting from the hip support. Fasten all bolts securely using the enclosed 6 mm allen key.
- \* Fasten the fingerscrew (C) through the hole in the fitting to secure the fitting from the hip support to the centre bar.
- \* Loosen the handle (D) and (E), after releasing the pin lock (F) to adjust the hip supports in depth. Fasten the handles in the desired position. Lock the handle (D) making sure the pin lock (F) is locked into place when finished.
- \* Loosen the handle (G) to adjust the hip support in height.



Use the enclosed 6 mm allen key to loosen the bolts (H) and adjust the supports individually in height and width. (not possible for size 1)

**!** Make sure the fingerscrew (C) is fastened before use.

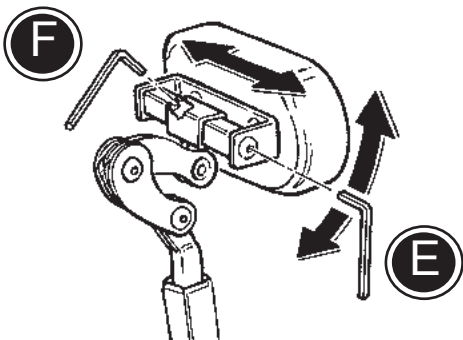
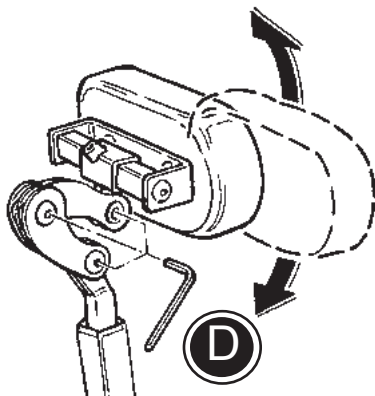
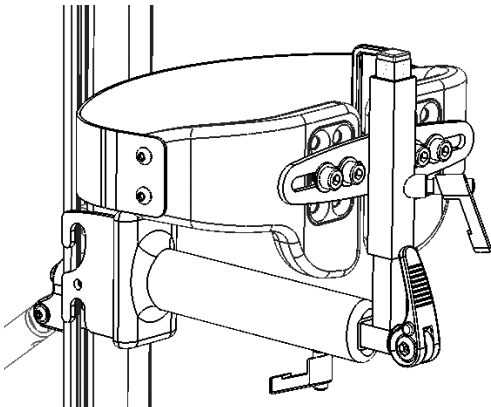


## **GB** HEAD SUPPORT

Follow the description below to mount the head support correctly.

**!** Either back support or hip supports (rear) must be mounted to be able to mount a head support on the Toucan

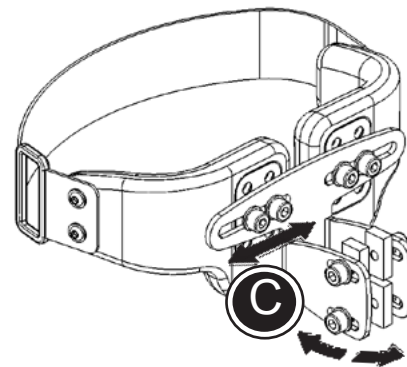
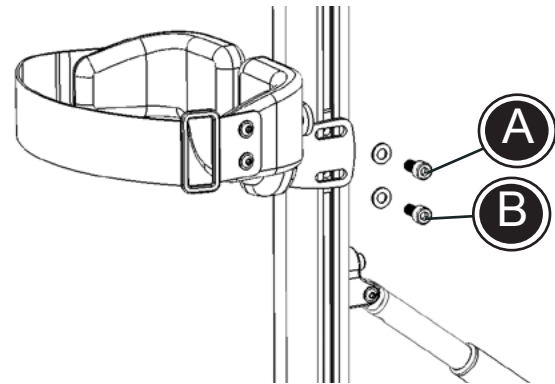
- \* Mount the head support bar on the fitting from the back support/hip supports (rear) and fasten with the enclosed 4 mm Allen key (A).
- \* Loosen the handle (B) to adjust the angle of the head support bar.
- \* Loosen the handle (C) to adjust the height of the head support.
- \* Use the enclosed 5 mm Allen key to loosen the screws (D) and adjust the head support. Loosen the screw (E) to angle the head support. Loosen the screw (F) to adjust the head support sidewise.



## GB HIP SUPPORT, FRONT

Follow the description below to mount the hip support correctly.

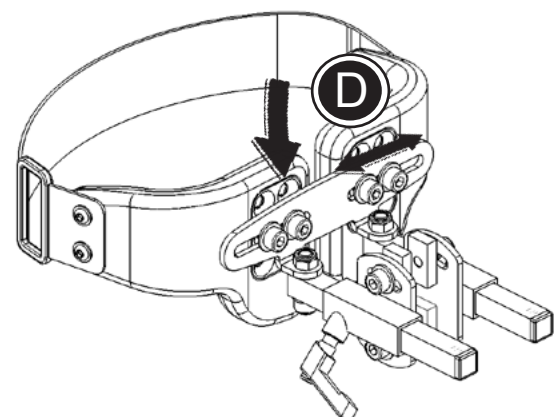
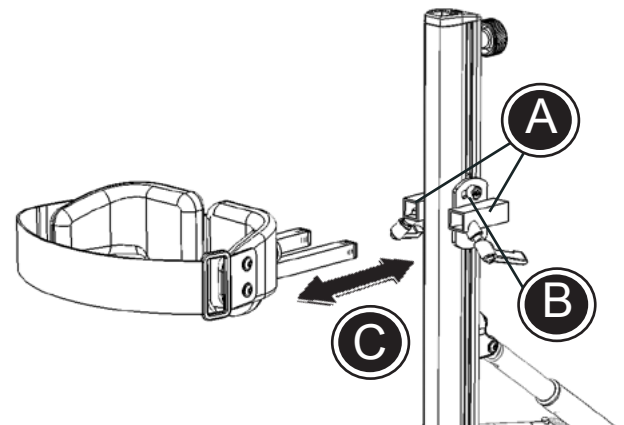
- \* Mount the two square plates in the slots on both sides of the centre bar.
- \* Mount bolts (A) in the upper square plates and fasten lightly. Do not fasten completely before the four bolts have been placed correctly.
- \* Mount bolts (B) in the lower square plates. Move the bolts (A) + (B) and plates upwards until they fit into the fitting from the hip support. Now fasten all four bolts securely using the enclosed 6 mm allen key.
- \* Loosen the bolts (C) and adjust the hip supports in depth. Fasten the bolts in the desired position.

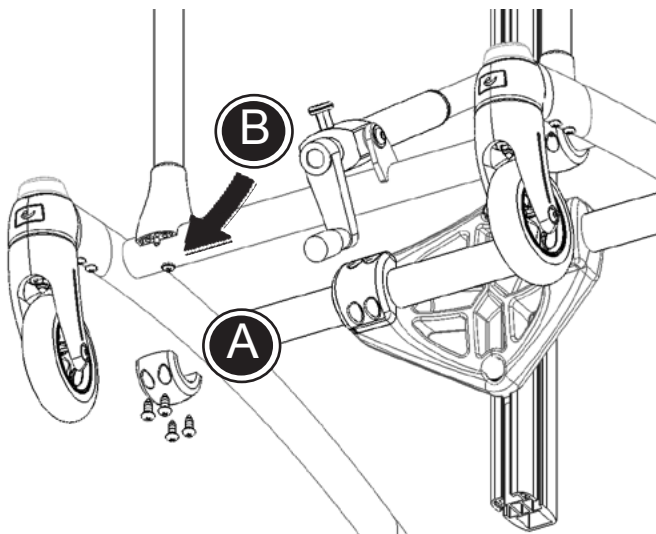


## GB HIP SUPPORTS DE-ROTATIONAL

Follow the description below to mount the de-rotational hip supports correctly:

- \* Dismount the two fittings (A) from the de-rotational hip supports.
- \* Mount the fittings on both sides of the centre bar. Fasten the screws (B) in the desired position. The possibility of vertical rotational adjust is available before the screws are fastened completely.
- \* Mount the hip support on the fitting (C). Fasten in the desired angle.
- \* Loosen the screws (D) to adjust the hip support for width and in height. Fasten all screws in the desired position.

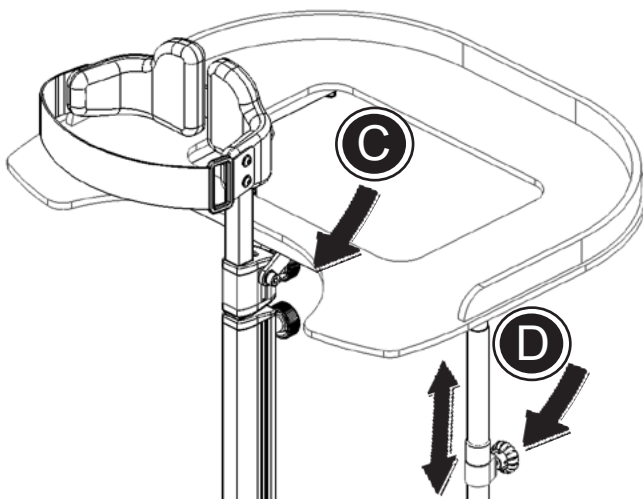




## **GB** TRAY WITH BOWL

Follow the description below to mount the tray correctly.

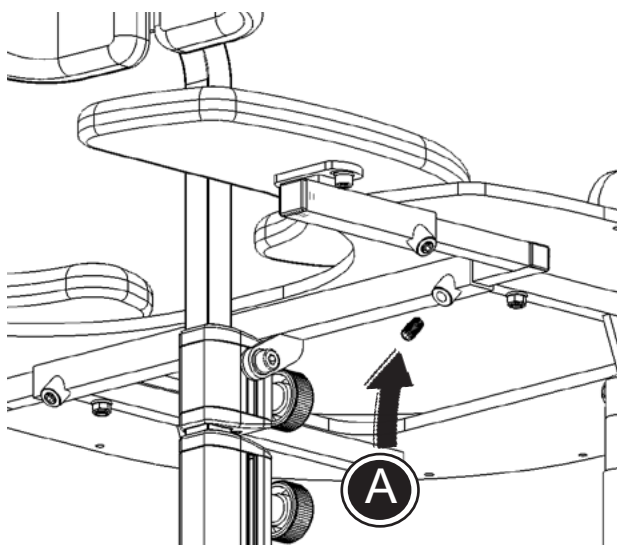
- \* Loosen the screws (A) to separate the fitting.
- \* Place the lower part of the fitting (A) below the frame and make sure the screws already mounted on the frame fit into the fitting.
- \* Mount the tray/tube with the top fitting on the frame and fasten with the provided screws. Fasten the screws with a screwdriver. Mount the tubes on both sides of the frame.
- \* Fasten the tray by mounting the chest support through the bar on the tray and the centre bar. Fasten with the handles (C).
- \* Loosen the fingerscrews (D) to adjust the tray in height.
- \* Place the plate on the tray to cover the bowl.



## **GB** ARMREST FOR TRAY

Follow the description below to mount the armrest for tray correctly.


- \* Mount the armrests in the cross tube fitting beneath the tray and fasten with the illustrated screws and 4 mm Allen key. (A)

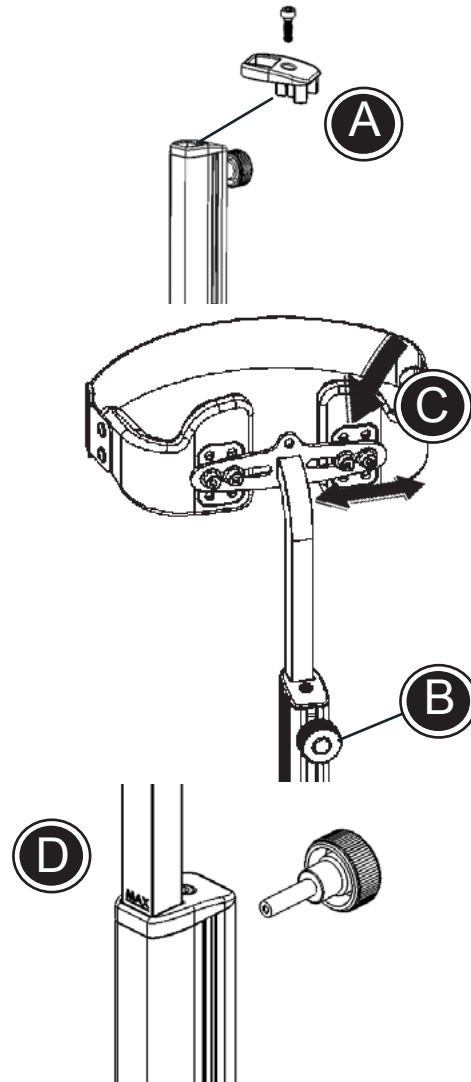


## GB CHEST SUPPORT

We recommend to mount the chest support as the final equipment. Follow the description below to mount the chest support correctly:

- \* Mount the top part (A) in the top of the centre bar and fasten with the enclosed 5 mm allen key.
- \* Mount the chest support in the hole in the centre bar and fasten with the handle (B).
- \* Loosen the screws (C) and adjust the chest support sidewise and in height. Fasten all screws in the desired position. (not possible for size 1)

 **Max. height! (D)**  
The max. height indication on the chest support bar must not go any higher than the top of the centre bar - not the top of any other extra bars from e.g. the tray.

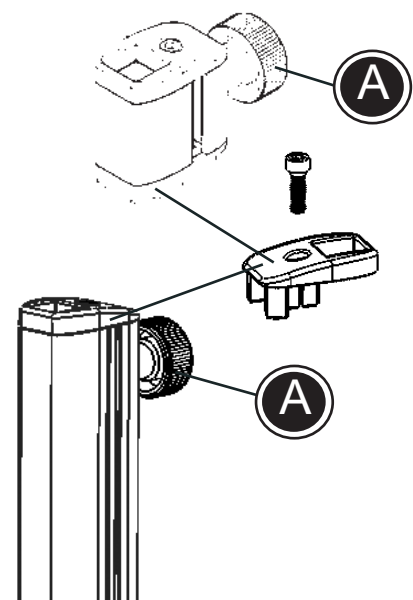


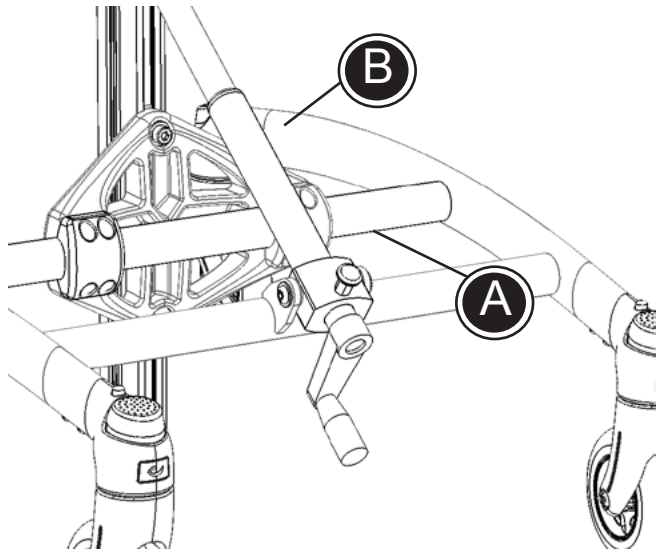
## GB SLIDING EXTENSION FOR CENTRE BAR

Follow the description below to mount a sliding extension on the centre bar.

- \* To be able to mount the extension part and the centre bar all together, the plast covers need to be removed. Use the 5 mm Allen key to dismount the hubs.
- \* Accessories can now be mounted in both the centre bar and the extension part.

Mount the chest support bar from the top and down through the extension part and the centre bar. Fasten with the handles (A).





## **GB** PRODUCT IDENTIFICATION

### A) Serial number

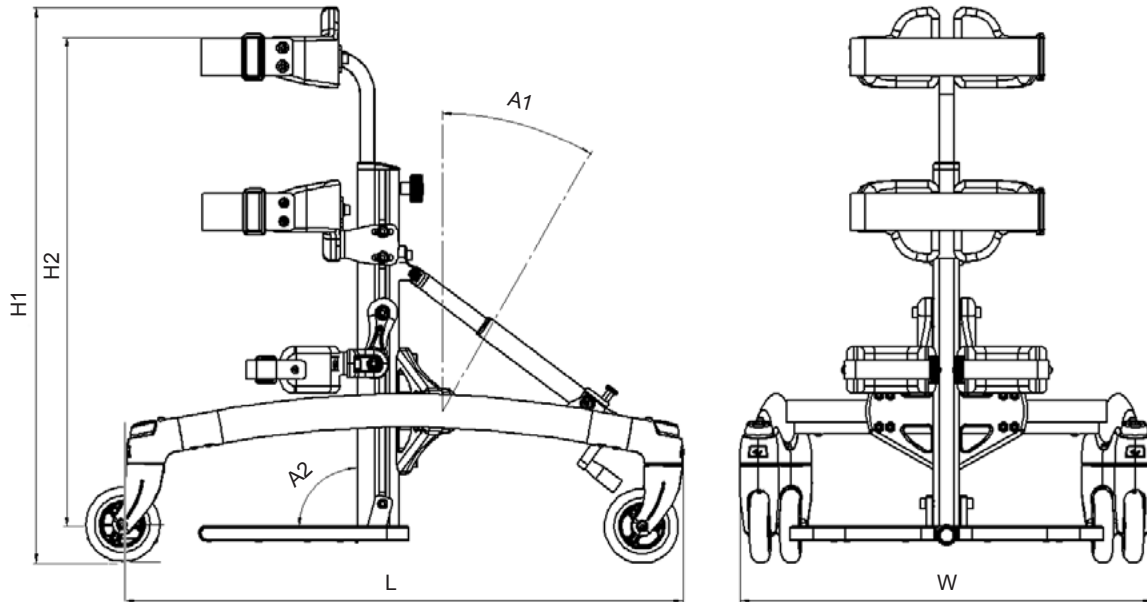
The label is placed on the underside of the frame to the left.

### B) Manufacturer

The label is placed on the innerside by the left rear wheel.







## GB MEASUREMENTS

	Size 1 cm (inch)	Size 2 cm (inch)	Size 3 cm (inch)	Size 4 cm (inch)	Size 5 cm (inch)
Length (L)	75 (29¼")	88 (34¼")	88 (34¼")	111 (43¼")	111 (43¼")
Width (W)	56 (21¾")	63 (24½")	63 (24½")	70 (27¼")	70 (27¼")
Total height (H1)	67-87 (26¼-34")	72-101 (28-39½")	97-123 (37¾-48")	104-134 40½-52¼")	124-154
Height from foot to chest (H2)	34-70 (13¼-27¼")	54-90 (21-35")	74-110 (29-43")	91-121 (35½-47¼")	111-141 (43¼-55")
Height floor to foot plate	6 (2½")	6 (2½")	6 (2½")	6 (2½")	6 (2½")
Angle of the centre bar (A1)	0 to +30°	0 to +30°	0 to +30°	0 to +20°	0 to +20°
Angle of the foot plate (A2)	+15° to -10°	+15° to -10°	+15° to -10°	+15° to -10°	+15° to -10°
Weight	7,5 kg (16,5 lb)	8,5 kg (19 lb)	9 kg (20 lb)	10,5 kg (23 lb)	10,75 kg (24 lb)
Max. load/user weight	30 kg (66 lb)	40 kg (88 lb)	50 kg (110 lb)	60 kg (132 lb)	70 kg (154 lb)

## **GB** TECHNICAL DATA

Frame: Powder laquered aluminium tubes  
Plastic parts: Fiber glass strengthened nylon  
Upholstery: PUR (Polyurethane)

## **GB** PRODUCER

R82 A/S  
Parallelvej 3  
8751 Gedved  
Denmark

## **GB** DISTRIBUTOR



*Please find your distributor on [www.r82.com](http://www.r82.com)*

**GB** CARE AND MAINTENANCE

**PUR**

All parts made of PU material must be wiped off with a cloth frequently.

**WHEELS/BRAKES**

Ball bearings: The ball bearings require no maintenance.

Clean the wheels frequently to make them run more smoothly and make the brakes function optimally. NO lubricating oil is required around the brakes. Wheels that are worn out must be replaced.

**FRAME**

Tighten all screws on the frame on a regular basis, especially when the Toucan has been adjusted. Also, it is important to keep the frame clean, both for the users comfort and the longevity of the standing frame. Wash the frame with car shampoo or washing up liquid. If the Toucan is especially dirty, a grease remover may be used.

**INSPECTION**

It is important to tighten all screws on the standing frame on a regular basis. All screws which secure the accessories must be checked, at least once a month. To avoid sharp edges, it is important to check all rail-ends have end caps. Also, it is important to check for any cracks or faults in the frame, PVC parts, etc.

**REPAIR**

If there is a problem with your Toucan you should contact your dealer at once. Defective frames should not be used. If your standing frame needs reconditioning or repair, only original R82 parts may be used. Accessories or available spare parts which are broken can be forwarded to R82 for repair. If there is a problem with any basic parts, the whole frame must be returned to R82 for repair. R82 will not be held responsible for damage or injury caused by use of non-original parts or repairs made by non-authorized R82 personnel.

## **GB** TROUBLESHOOTING

<u>Problem*</u>	<u>Solution</u>
The standing frame is hard to move/push/turn	<ul style="list-style-type: none"><li>- Check that all brakes have been released.</li><li>- Check if all front forks are turnable - If not, contact your dealer</li></ul>
The angle winding mechanism is not working	<ul style="list-style-type: none"><li>- Check if the security lock has been released. If the winding mechanism is still not working, contact your dealer.</li></ul>
The product seems loose	<ul style="list-style-type: none"><li>- Check if all screws and bolts have been fastened securely</li><li>- Adjust the distance between the tires and the brake</li></ul>

This product is multi-adjustable and must only be set up by authorized personnel (e.g. therapists).

\* The user may experience several of these problems in a standing frame that is incorrectly adjusted or is being used incorrectly.