



Service Manual

Table of contents:

1. System components and details	4
2. Annual maintenance service	5
3. Spare parts replacement	6
4. Programming	46
5. Fault finding	48
6. Electrical wiring	49
7. Charger	50
8. Spare parts	51
9. List of Tool Types	54

NOTE: Design details may change without notice

1. SYSTEM COMPONENTS AND DETAILS

1.1 *EasyTravel* parts – (Figure 1)

1. Battery pack (detachable)
2. Front column (detachable)
3. Column lock/release triggers
4. Controller cover
5. Charging socket (Fig. 1A)
6. Front drive wheels
7. Foot platform
8. Seat shell
9. Seat cushions
10. Serial # up to and including: folding seat latch
11. Rear wheel
12. Folded frame lock pin
13. Platform bottom lock pin
14. Utility basket (holding capacity 9kg)
15. Charger and connecting cables (Fig. 1B).
16. Control Panel
17. Freewheel switch



Figure 1

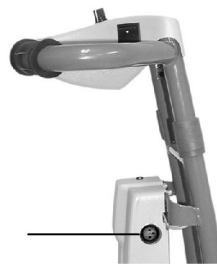


Figure 1A



Figure 1B

1.2 Control Panel – Figure 2

1. Switch
2. Hand control lever (right and left)
3. Speed adjusting knob
4. Indicator light (LED)
5. From serial # 0307077 and onwards or starting with 11B: Battery Level Indicator
6. Hand-grips



Figure 2

BELL: If the user requires an audible warning device, a standard bicycle bell can be attached to the handlebar.

2. SERVICE

For reasons of safety and the prevention of accidents caused by wear which is not detected in time, the **EasyTravel** should be tested and serviced once a year. All safety-related components of the **EasyTravel** should be checked and serviced, safety and functional tests should be performed. It is important to detect initial wear in time and to use exclusively original spares, or such parts that were authorized by the manufacturer.

Test the following maintenance items:

- ❑ The components of the **EasyTravel** frame for overload and initial cracks.
- ❑ Wear of tires on wheels.
- ❑ All screws and attachments for safe securing, cable connections for wear, and the mechanisms of the **EasyTravel** for correct functioning.
- ❑ The proper functioning of the electronic system and brakes.
- ❑ *For serial # up to and including 0304599: the collector brushes of the electric motor (3-A) for wear. Wear limit is approx. 7 mm.*

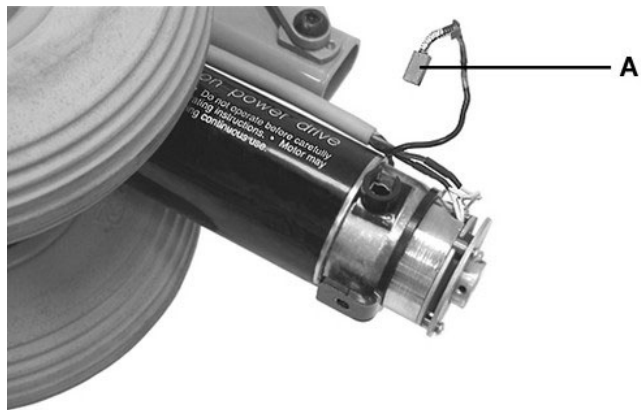


Figure 3

3. SPARE PARTS REPLACEMENT

3.1 Control Panel Assembly

Kit number E0-00-1-040 (for serial # up to and including 0307076)

Kit Number E0-00-1-202 (for serial # 0307077 and onwards)

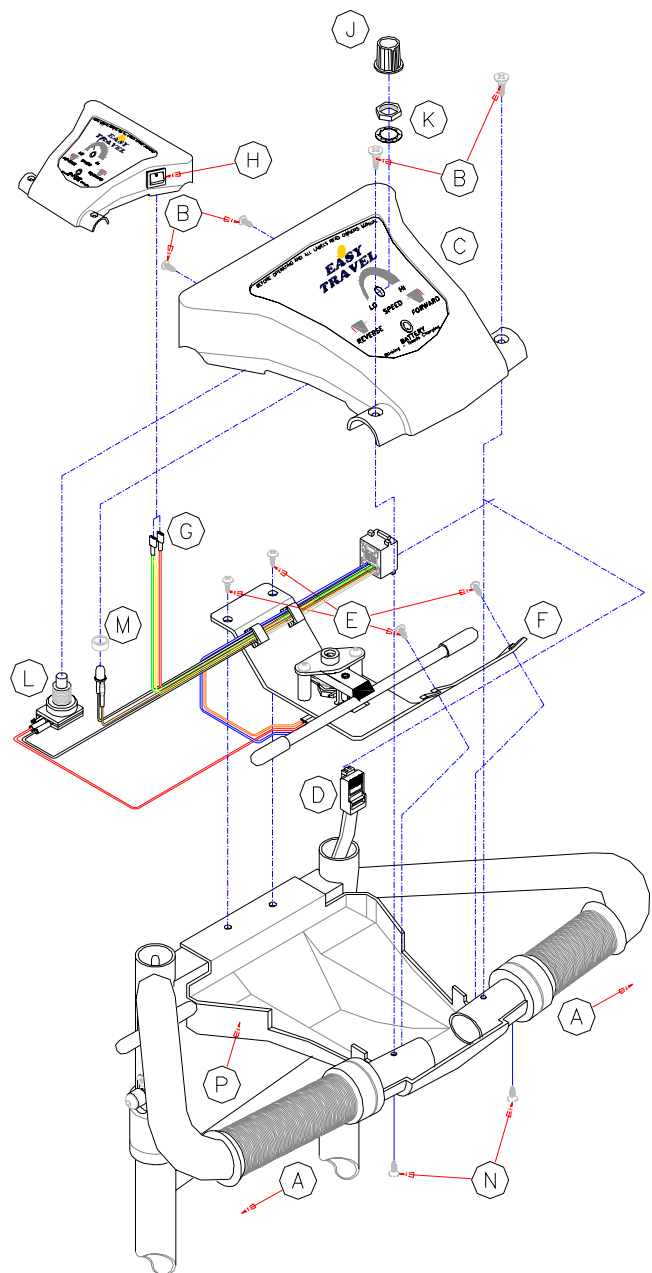
Kit Number E0-00-1-701 (for serial # with 13 digits, starting with 11B (Taiwan))

Tools:

Phillips #2 Screwdriver

For serial # and onwards, see next page.

1. Push Handgrips (4-A) outwards
2. Open Screws (4-B) and remove Control Panel Cover (4-C)
3. Disconnect the Control Cable (4-D)
4. Open Screws (4-E) and remove Control Panel (4-F)
5. Open Screws (4-N) and remove Panel Bottom Cover (4-P)
6. Place new Bottom Cover (4-P) and secure it with Screws (4-N)
7. Secure new Control Panel (4-F) with Screws (4-E)
8. Connect the Control Cable (4-D) to Control Panel (4-F)
9. Secure Control Panel Cover (4-C) with Screws (4-B)
10. Push Handgrips (4-A) back over the Cover
11. Check all Control Panel functions: indication, drive, brake and speed control



L.L. 07.11.2001 14:48 80-900-6223.dwg

Figure 4

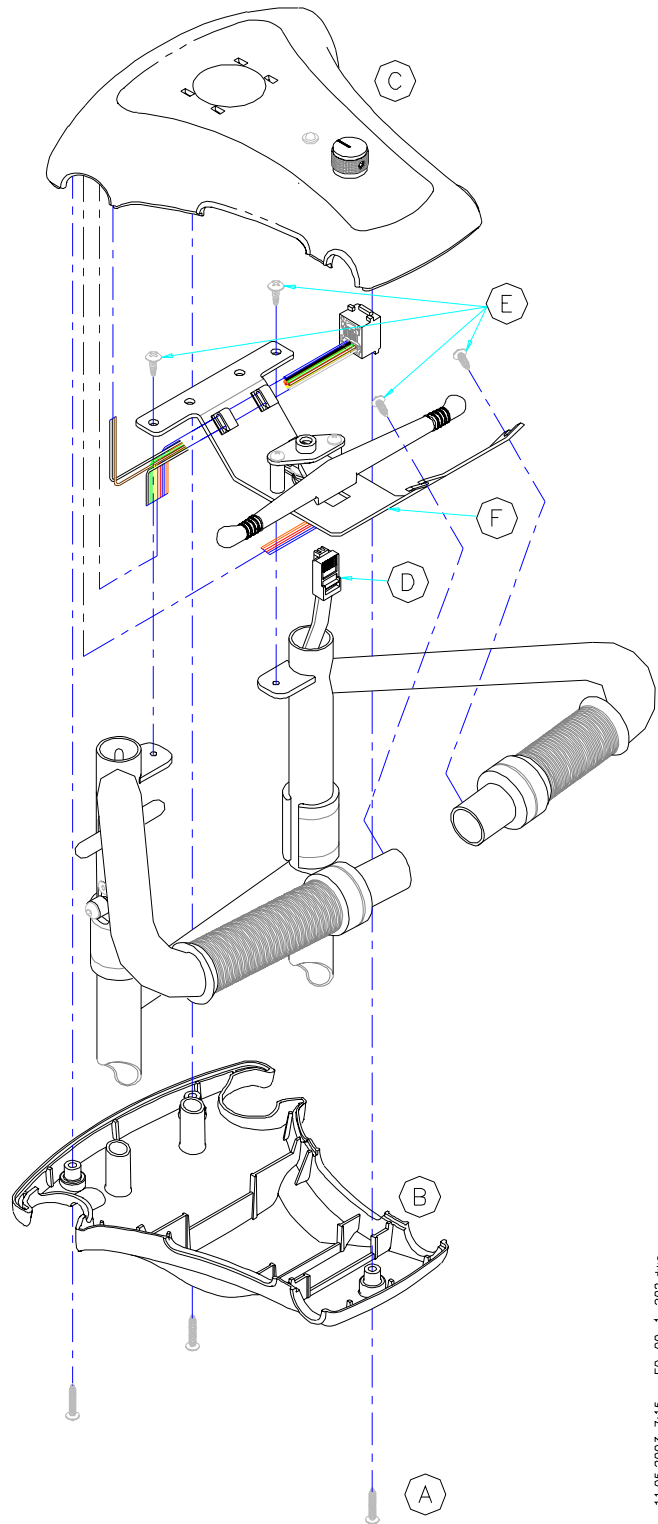
Kit Number E0-00-1-202

Kit Number E0-00-1-701

Tools:

Phillips #2 Screwdriver

1. Open Screws (5-A) and remove top and bottom Control Panel Cover (5-B, C)
2. Disconnect the Control Cable (5-D)
3. Open Screws (5-E) and remove Control Panel (5-F)
4. Secure new Control Panel (5-F) with Screws (5-E)
5. Connect the Control Cable (5-D) to Control Panel (5-F)
6. Secure top and bottom Control Panel Cover (5-B, C) with Screws (5-A)
7. Check all Control Panel functions: indication, drive, brake and speed control



L.L. 11.05.2003 7:15 E0-00-1-202.dwg

3.2 Handgrip pair

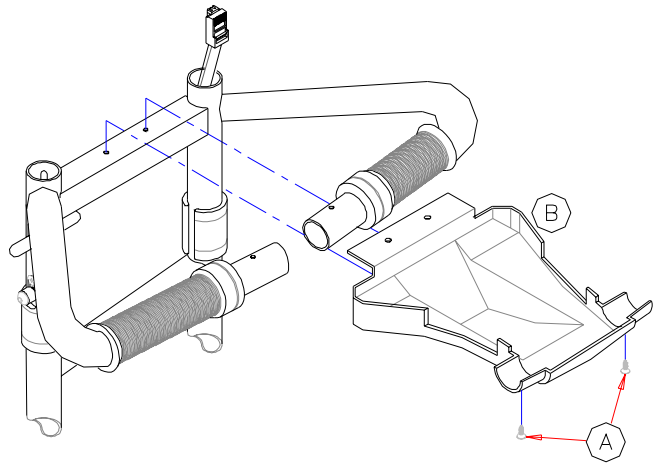
Kit number E0-00-1-070

Tools:

Silicone spray

Phillips #2 Screwdriver

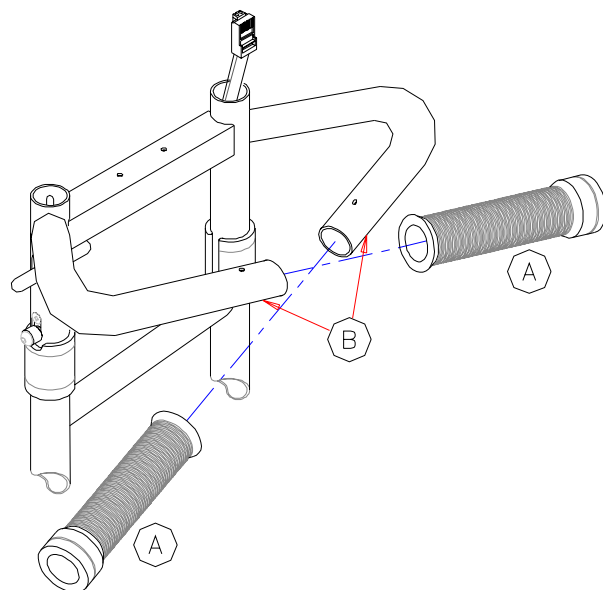
1. Remove Control Panel Assembly, see instructions 3.1
2. *For serial # up to and including 0307076: open Screws (6-A) and remove Control Panel Bottom Cover (6-B)*



L.L. 10.10.2001 12:07 80-900-6584A.dwg

Figure 6

3. Remove the Handgrips, (7-A)
4. Spray Handlebars (7-B) of the Column Frame and inside of the new Handgrips **lightly** with Silicone Spray and push them onto the Column Frame
5. Reassemble Control Panel Bottom Cover and Control Panel Assembly
6. Push the Handgrips back over both Covers



L.L. 10.10.2001 12:16 80-900-6584B.dwg

Figure 7

NOTE: Check that Handgrips do not slide off of Covers easily – this can cause a safety hazard if control lever gets caught under Handgrip edge. Remove excess silicon if needed.

3.3 Controller Cover ET1B

Kit Number E0-00-1-034

Kit Number E0-00-1-705 (for serial # starting with 11B)

Tools:

Phillips #2 Screwdriver

1. Remove Screws (8-A) at the top and bottom of the Controller Cover (8-B) and remove Cover
2. Disconnect Connector (8-C) from Interface Circuit Board (8-D)
3. Check that the solder tabs of the Free-wheel Switch on new Cover are bent apart
4. Insert Connector of new Cover (8-C) to Interface Circuit Board
5. Secure the Cover on the Column
NOTE: Ensure that the Power Cable is routed under the Controller (see Figure 10) and that it will not be pinched when closing and securing the Cover
6. Check drive, brake and freewheel operation

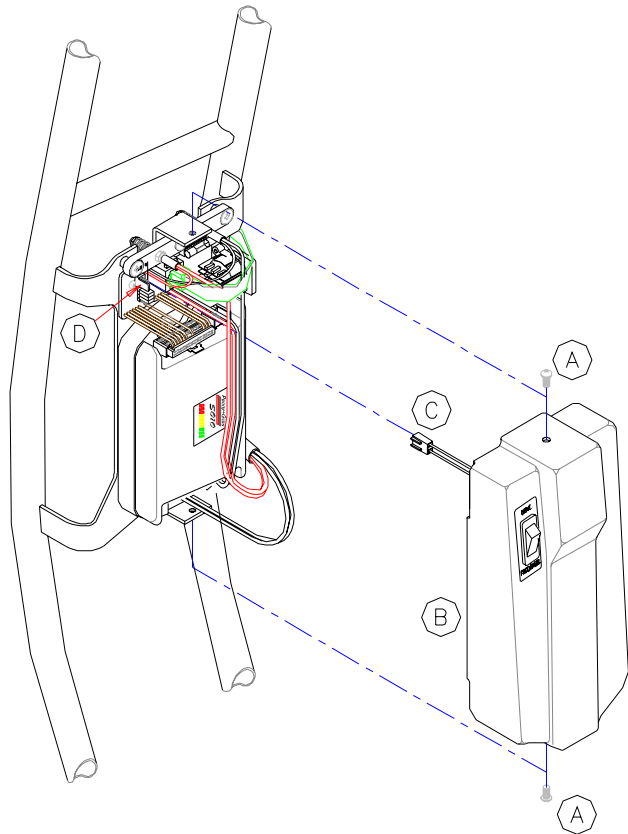


Figure 8

L.L. 10.10.2001 13:28 80-900-6714.dwg

3.4 Solo Controller ET1B

Kit Number E0-00-1-032

Kit Number E0-00-1-704 (for serial # starting with 11B)

Tools:

Short Phillips #2 Screwdriver

Pliers

1. Remove Controller Cover, see instruction 3.3
2. Detach wiring from Controller (9-A)
3. Remove Controller (9-A) by unscrewing Screws (9-B)
4. Secure new Controller to Column Frame
5. Attach Wires to Controller (Fig. 9a): from Battery Contacts Assembly, the red wire (A) to "B+" tab (B), the black (C) to "B-" tab (D); from Interface Circuit Board insert 11-pin connector into top socket P2 (E); the two white wires (F) to the white capped cables (G) from Power Cable; from Power Cable the #1 wire to "M+" tab (H), the #2 to "M-" tab (J)
6. Secure Controller Cover to Column Frame
7. Check drive, brake and freewheel operation

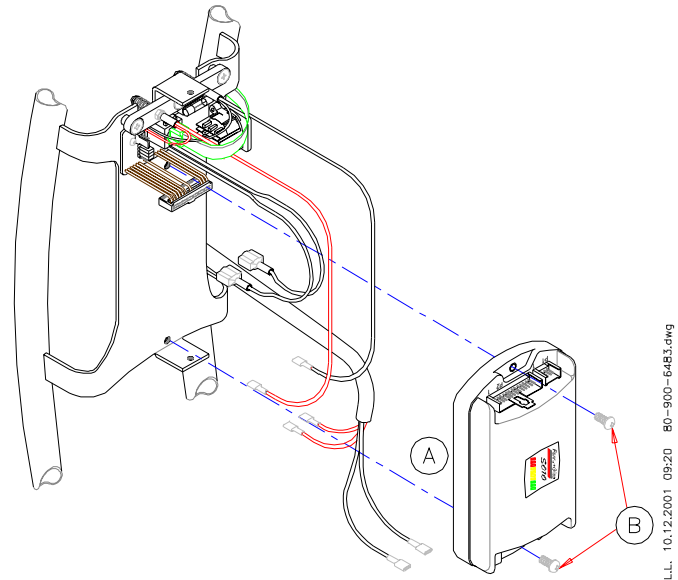


Figure 9



Figure 9a

Kit Number E0-00-1-704 (for serial # starting with 11B)

Tools:

Short Phillips #2 Screwdriver

Pliers

1. Remove Controller Cover, see 3.3
2. Open Screws (10-A), remove Controller Top and plastic protection sheet
3. Detach wiring from Controller
4. Open Screws (10-B) on reverse side of Steering Column and remove Controller
5. Secure new Controller to Column Frame
6. Attach Wires to Controller (Fig. 10a):



Figure 10

- a. Control Cable (C);
- b. from Contacts and Charging Socket Assembly:
 - i. the brown wire to connector (B),
 - ii. the white wire to connector (F),
 - iii. the red wire to “B+” tab, the black to “B-“ tab (D);
 - iv. the two red capped wires (coming from connector (F)) to the white and yellow/green cables (G) from Power Cable;
- c. from Power Cable the #1/red wire to “M+” tab, #2/black wire to “M-“ tab (E)

7. Place plastic protection sheet and secure Controller Top Cover with Screws (10-A)

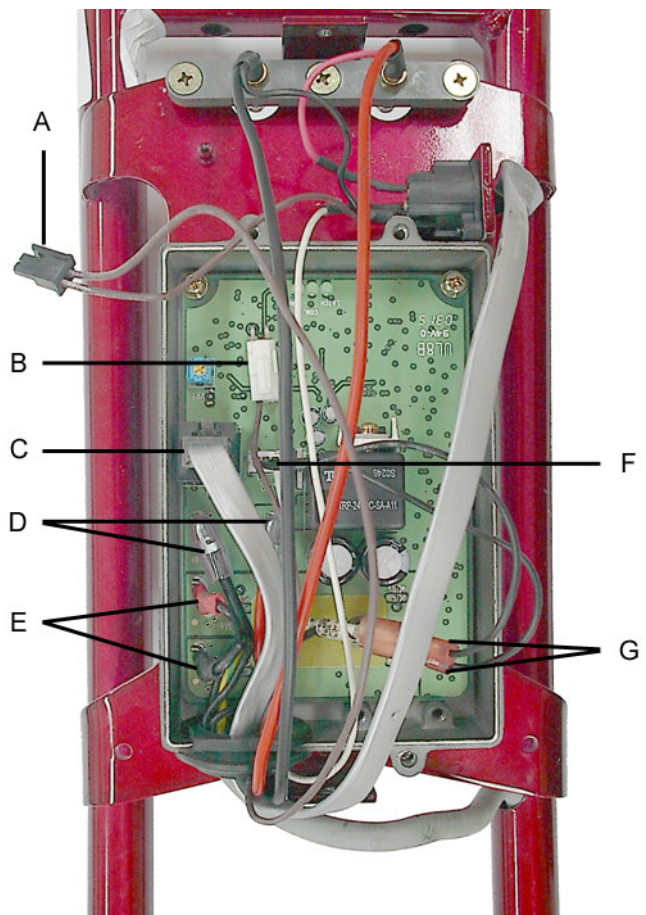


Figure 10a

8. Secure Controller Cover, see 3.3
9. Check drive, brake and freewheel operation

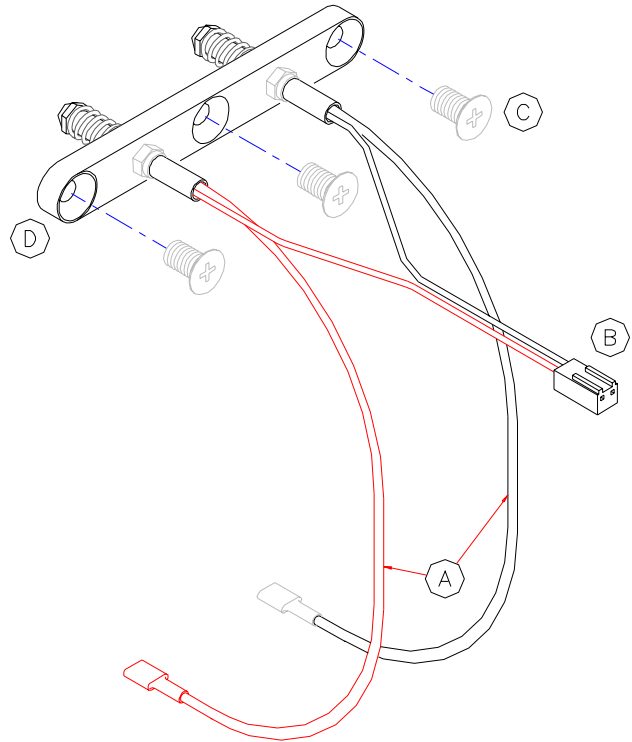
3.5 Battery Contacts

Kit number E0-00-1-059

Tools:

Phillips #2 Screwdriver

1. Remove Controller Cover, see instruction 3.3
2. Disconnect wiring to Controller (11-A) and Interface Circuit Board (11-B)
3. Unscrew Screws (11-C) and remove Battery Contacts Assembly (11-D)
4. Secure new Battery Contacts Assembly (11-D) with Screws (11-C)
5. Connect Wiring (11-A) to Controller (red to "B+" tab, black to "B-" tab), Connector (11-B) onto Interface Circuit Board
6. Reassemble Controller Cover, see instruction 3.3
7. Check drive, brake and freewheel operation



L.L. 10.10.2001 14:04 80-900-6767.dwg

Figure 11

3.6 Interface Circuit Board ET1B

Kit number E0-00-1-058

Tools:

Phillips #1 Screwdriver

Phillips #2 Screwdriver

1. Remove Controller Cover, see instruction 3.3
2. Disconnect Control Cable (12-A), Freewheel Cable (12-B), wiring to Controller (12-C), Contact Pins Assembly (12-D) and to Power Cable (12-E)
3. Unscrew 3 Screws (12-F) and remove Interface Circuit Board (12-G)
4. Secure new Interface Circuit Board (12-G) with Screws (12-F)
5. Connect Control Cable (Fig. 12-A), Freewheel Cable (12-B), wiring to Controller (12-C), Contact Pins Assembly (12-D) and Power Cable (12-E)
6. Reassemble Controller Cover
7. Check drive, brake and freewheel operation

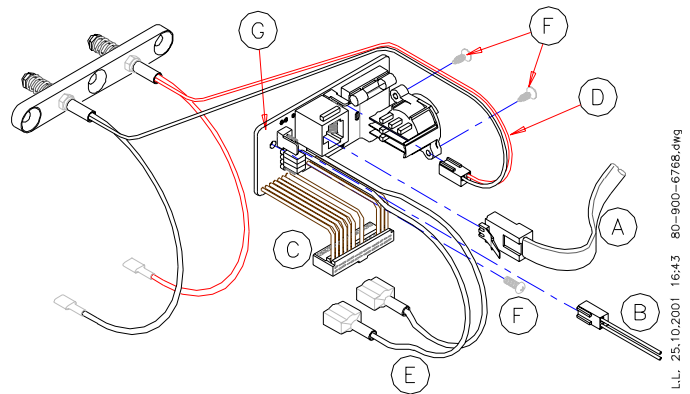


Figure 12

3.7 Contacts and Charging Socket Assembly

Kit number E0-00-1-703 (for serial # starting with 11B)

Tools:

Phillips #1 Screwdriver

Phillips #2 Screwdriver

1. Remove Controller Cover, see instruction 3.3
2. Open Controller, see instruction 3.4
3. Disconnect wiring to Controller and to Power Cable, see instruction 3.4
4. Unscrew 3 Screws (12a-A) and two Screws (12a-B)
5. Remove Contacts and Charging Socket Assembly (12a-C) and replace
6. Secure new Assembly (12a-C) with Screws (12a-A, B)
7. Connect wiring to Controller and Power Cable and close Controller, see instruction 3.4
8. Reassemble Controller Cover, see instruction 3.3
9. Check drive, brake and freewheel operation

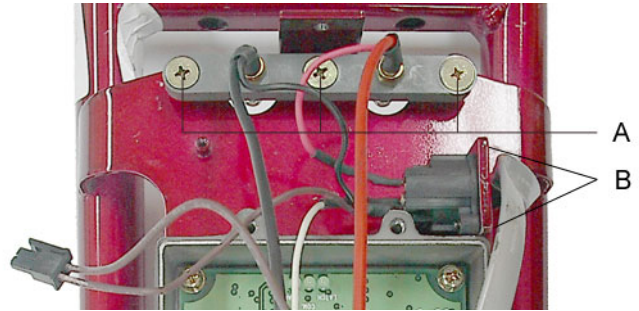


Figure 12a

3.8 Control Cable

Kit number E0-00-1-054

Kit Number E0-00-1-702 (for serial # starting with 11B)

Tools:

Phillips #2 Screwdriver

1. Open Control Panel Cover, see instruction 3.1
2. Open Controller Cover, see instruction 3.3
3. Disconnect Control Cable from Control Panel (5-C) and Interface Circuit Board (12-A)/Controller (10a-C)
4. Remove Control Cable
5. Insert new Control Cable (if needed, remove the Paint Protector and replace it with a new one after the Control Cable is inserted, see instruction 3.32)
6. Connect Control Cable to Control Panel and Interface Circuit Board/Controller
7. Reassemble Controller Cover and Control Panel Cover, see instructions 3.1 and 3.4
8. Check all Control Panel and Controller functions: drive, brake, speed and indication

3.9 Motor End Cover ET1B

Kit Number E0-00-1-083 (for motor types E0-00-1-036 and E0-00-1-092)

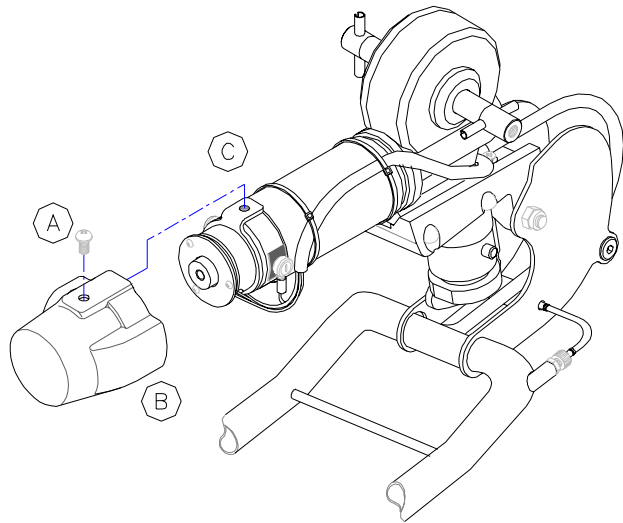
Tools:

Phillips #2 Screwdriver

1. Unscrew Screw (13-A) and remove Cover (13-B)
2. Note the motor wire routing and maintain it in position

NOTE: If force is needed to fit Cover, check the wire routing and ensure that it will not be pinched

3. Secure new Cover (13-B) with Screw (13-A)



L.L. 16.10.2001 15:46 80-900-9719.dwg

Figure 13

Kit Number E0-00-1-096 (for motor type E0-00-1-094)

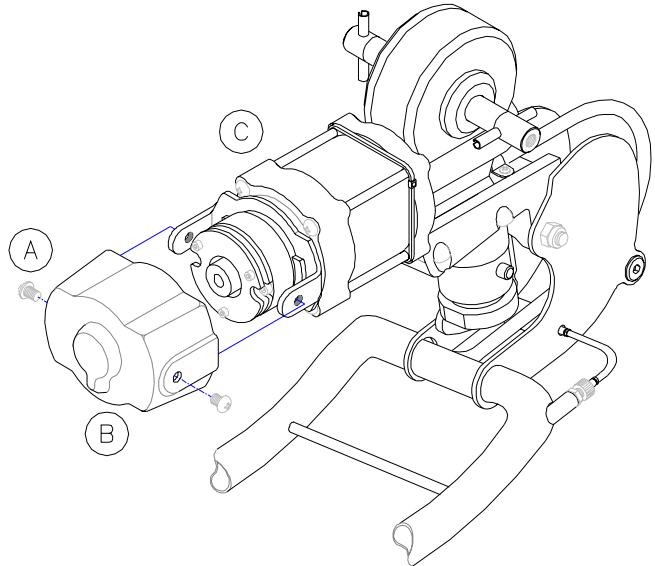
Tools:

Phillips #2 Screwdriver

1. Unscrew Screws (14-A) and remove Cover (14-B)
2. Note the motor wire routing and maintain it in position

NOTE: If force is needed to fit Cover, check the wire routing and ensure that it will not be pinched

3. Secure new Cover (14-B) with Screws (14-A)



L.L. 11.05.2003 6:53 E0-00-1-096.dwg

Figure 14

3.10 Motor Brushes

Kit Number E0-00-1-037 (for serial # up to and including 0304599)

Tools:

Phillips #2 Screwdriver

Flat Blade Screwdriver

(For EasyTravel with serial number up to and including 0212052:

Hot Air Gun (if available)

Soldering Iron and Solder)

Please refer to Figure 13

1. Remove the Motor End Cover, see instruction 3.8
2. Remove the plastic Brush Cap (C) and pull the Brush gently from its housing
3. Remove Power Cable wire
For serial # up to and including 0212052:
Remove heat-shrink insulation and unsolder the Brush (Fig. 15) being replaced
4. Insert the new Brush carefully into its housing and secure with Brush Cap (C)
NOTE: Ensure that the Brush is fully inserted freely and smoothly and that the spring is not caught in the housing
5. Connect Power Cable wire to contact tab
For serial # up to and including 0212052:
 - a. Place new heat-shrink insulation sleeves over wires and re-solder wiring to contact tab
NOTE: Ensure good tinning and secure connection
 - b. Secure insulation sleeves in place with hot air gun or soldering iron
6. Note the motor wire routing and maintain it in position.
7. Secure Motor Cover, see instruction 3.8
8. Check drive and brake operation



Figure 15

3.11 Power Cable to Motor ET1B

Kit Number E0-00-1-056 (for serial # up to and including 0212052)

Kit Number E0-00-1-093 (for serial # 0212053 up to 0304599)

Kit Number E0-00-1-095 (for serial # 0304600 and onwards)

Kit Number E0-00-1-706 (for serial # starting with 11B)

Tools:

Phillips #2 Screwdriver

Pliers

Cutter

Cable Tie Tensioning Tool

(For serial # up to and including 0212052:

Soldering Iron

Solder

Hot Air Gun)

The wheels MAY be removed to facilitate easier access for the replacement of parts, see instruction 3.11

Fig. 16a refers to serial # up to and including 0212052, fig. 16b refers to serial # 0212053 up to 0304599, fig. 16c refers to serial # 0304600 and onwards.

1. Remove the Motor Cover, see instruction 3.8 (for serial # starting with 11B: remove heat shrink)
2. Remove Cable Ties (16-A) from Motor and Securing Clip (16-B) on the underside of the Adapter Block
3. Remove Wires from Terminals (16-C) and Brakes (16-D)

For serial # up to and including 0212052:

Remove heat-shrink insulation and unsolder the Wires from the Terminals (16-C) and Brakes (16-D) on the Motor

4. Remove Controller Cover, see instruction 3.3
5. Detach the Wires from the Controller (17-A) and Interface Circuit Board (17-B)
6. Carefully pull the Power Cable out of the Column Frame

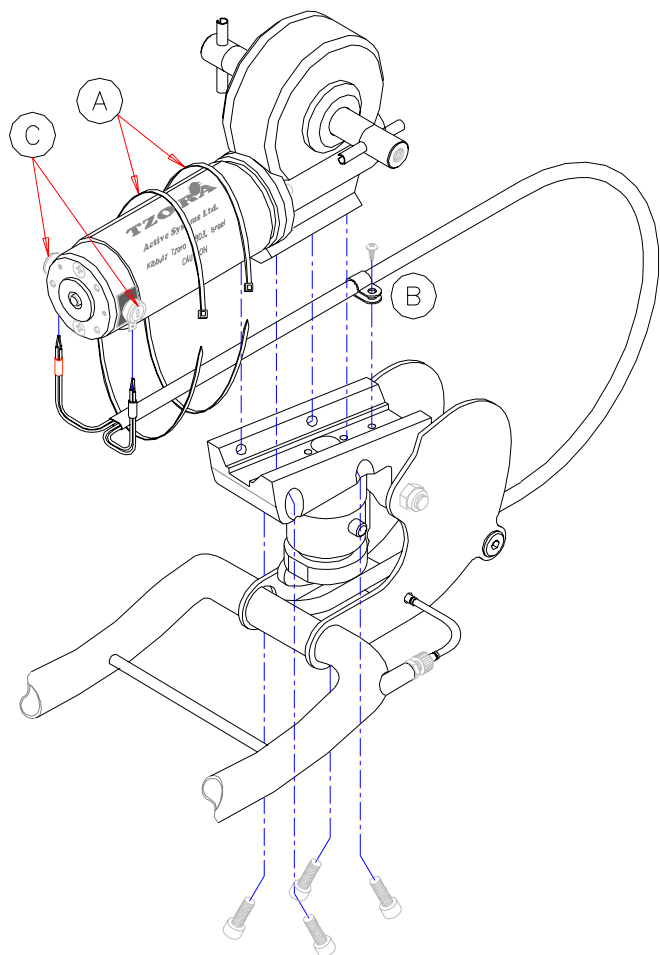


Figure 16a

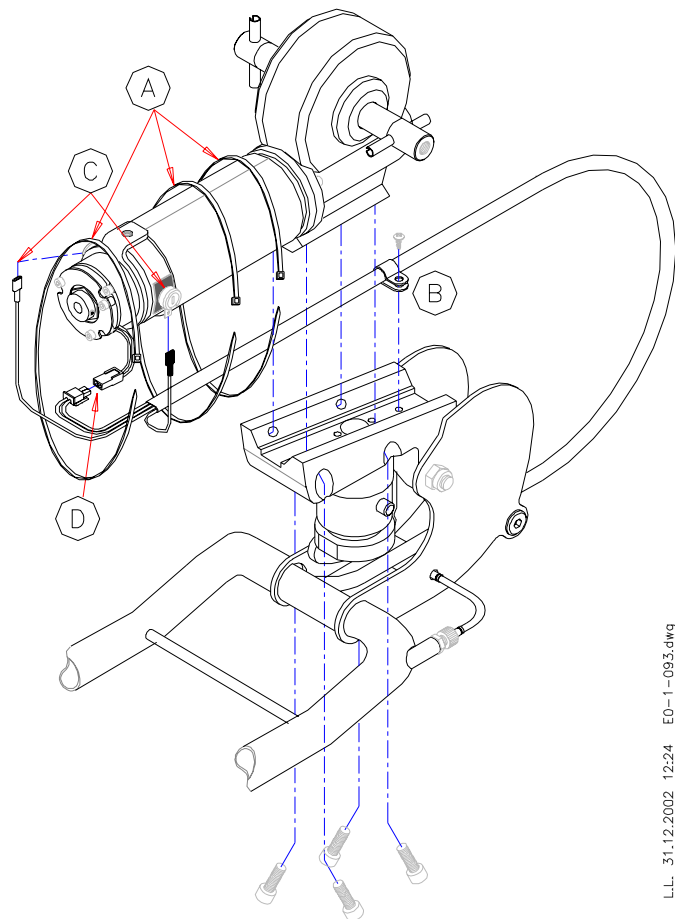


Figure 16b

L.L. 17.10.2001 0853 E0-900-9745A.dwg

L.L. 31.12.2002 12:24 E0-1-093.dwg

7. Thread the new Power Cable from the Controller-end into the hole in the Column Frame out of tube and under the Adapter Block, as depicted in Fig. 16
8. Connect the #1/red insulated Wire end to positive/red colored Terminal, the #2/black insulated Wire end to negative/black Terminal, the #3 and green Wire to white Wires from electromagnetic Brake

(For serial # up to and including 0212052:

 - a. Place new heat-shrink insulation sleeves over wires and solder the #1 long Wire end to positive/red colored Terminal, the #2 short Wire end to negative/black colored Terminal, the #3 and green wire to white Wires from the electromagnetic Brake
 - b. Secure insulation sleeves in place with hot air gun or soldering iron)
9. Secure the Cable to the Motor with Cable Ties (16-A) and trim ends *(for serial # starting with 11B: Place new heat shrink over Motor*
10. Secure the cable to the underside of the Adapter Block with Clip (16-B)
11. Secure the Motor Cover over the end of the Motor

NOTE: If force is needed to fit Motor Cover, check the wire routing and ensure that it will not be pinched
12. Attach from the Power Cable the black insulated #1 Wire End to "M+" tab, the red insulated #2 to "M-" tab on Controller and the two white insulated Wire Ends to the Wires from Interface Circuit Board
13. Secure Controller Cover to the Frame, ensure that no wires will be pinched or damaged by the Cover or the Screws
14. Check drive, brake and freewheel function

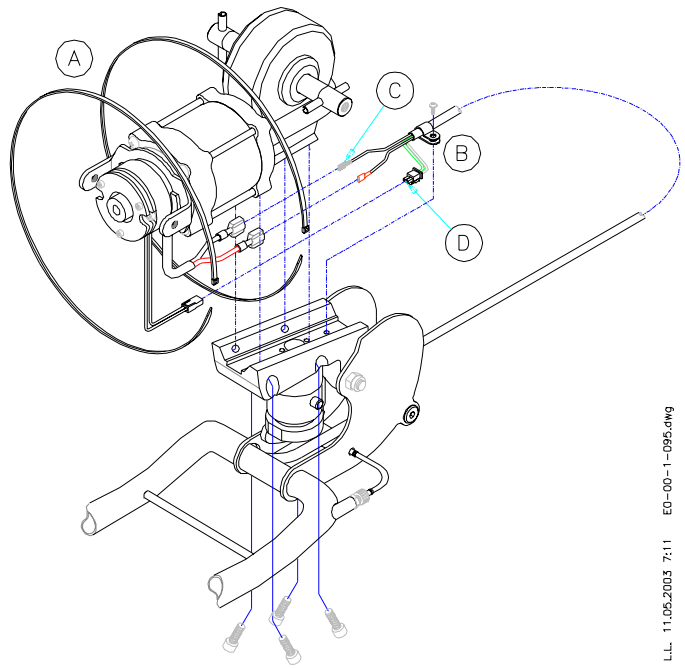


Figure 16c

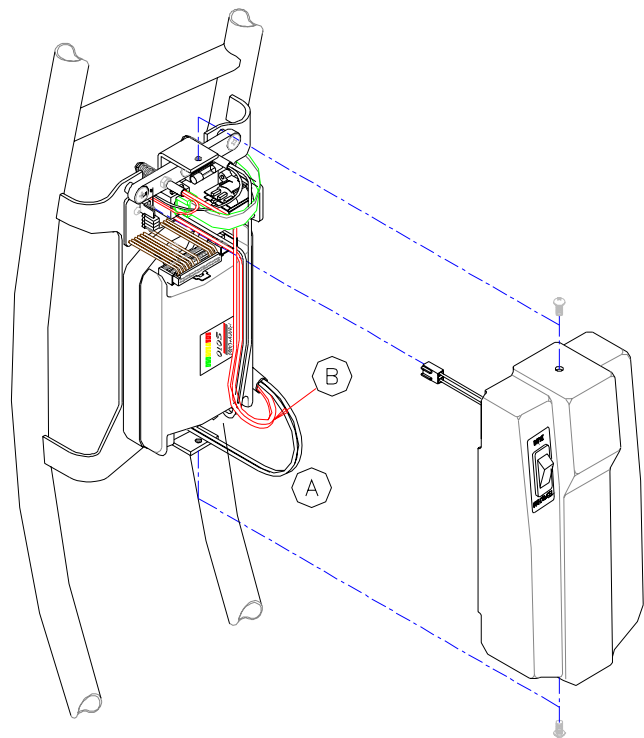


Figure 17

L.L. 11.06.2003 7:11 EO-00-1-095.dwg

L.L. 16.10.2001 14:32 80-900-9745D.dwg

3.12 Front Wheel Assembly

Kit Number E0-00-1-069

Tools:

Allen Key 6 mm

Loctite Adhesive #242 (1312)

Soft Mallet

1. Remove old Cap (18-A), Screw (18-B), Disk (18-C) and Wheel (18-D)
2. Thoroughly clean the threaded hole in the end of the Axle (18-E) of adhesive residue
3. Slide the Wheel (18-D) onto Axle (18-E) aligning the groove in the Adapter with the Roll Pin on the Axle
4. Place Disk (18-C) on Screw (18-B) and apply Loctite #242 (1312) adhesive to the screw thread
5. Secure the assembly with Screw (18-C).
6. Fit new Cap (18-A) on the Wheel (18-D) by gently tapping it with a mallet

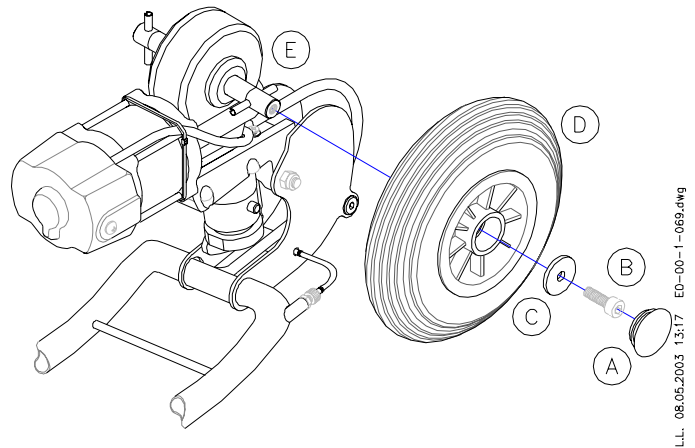


Figure 18

3.13 Gear Motor

Kit Number E0-00-1-035 (ET1)

Kit Number E0-00-1-094 (ET1B)

Tools:

Phillips #2 Screwdriver

Allen Key 5 mm

Cable Tie Tensioning Tool

Loctite Adhesive #242 (1312)

(For serial # up to and including 0212052:

Soldering Iron

Solder)

1. Remove Front Wheels, see instruction 3.11
2. Remove the Motor End Cover, see instruction 3.8 *(for serial # starting with 11B it is not needed to remove Motor End Cover)*
3. Detach Power Cable from Gear Motor, see instruction 3.10
4. Remove the Screws (19-A) securing the Gear Motor to the Adapter Block
5. Apply Loctite to the Screws (19-A) and secure with them the new Gear Motor to the Adapter Block
6. Attach Power Cable to Gear Motor, see instruction 3.10
7. Secure Motor End Cover, see instruction 3.8
8. Secure Front Wheels, see instruction 3.11

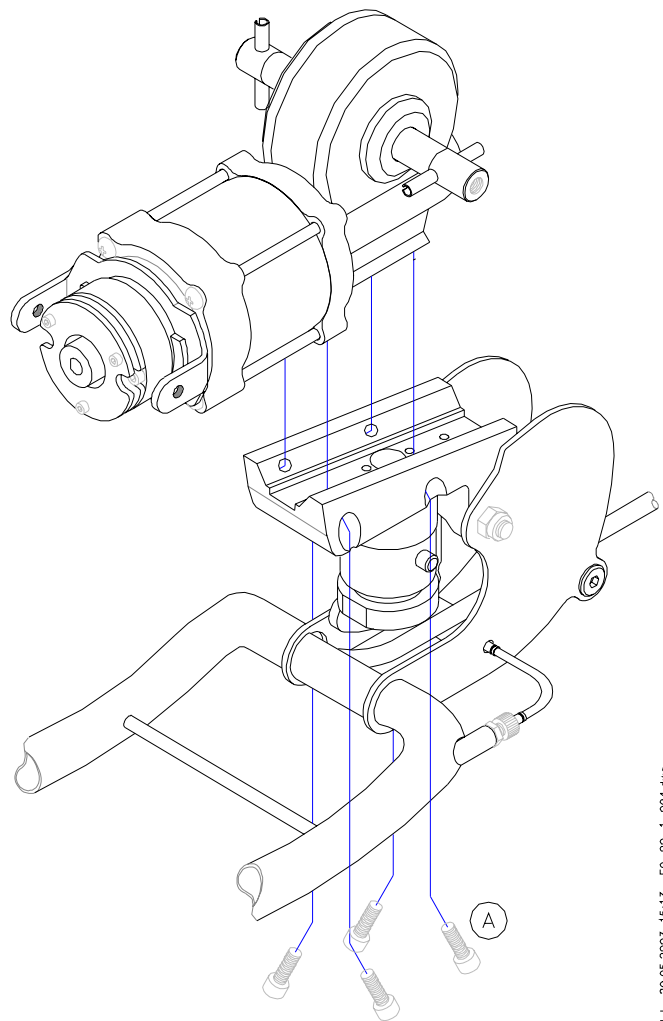


Figure 19

L.L. 29.05.2003 15:13 E0-00-1-094.dwg

3.14 Adapter Block Assembly

Kit Number E0-00-1-038

Kit Number E0-00-1-707 (for serial # starting with 11B)

Tools:

Allen key 5 mm

Allen Key 8 mm

Wrench, open end 19 mm

Torque Wrench

Loctite Adhesive #242 (1312)

Light Grease/Lubricant

The wheels MAY be removed to facilitate easier access, see instruction 3.11

1. Open Screw (20-A) and remove Clip (20-B)
2. Unscrew the four Screws (20-D) securing Gear Motor (20-E) to the Adapter Block (20-F) and put Gear Motor aside
3. Remove "Nylock" Lock Nut (21-A) and Screw (21-B)
4. Slide Adapter Block (21-C) from Column Frame (21-D)

NOTE: Ensure that the Column Release Pin (21-E) is withdrawn before removing and replacing the Adapter Block

5. Apply some Lubricant on the inside of the connecting plates of the Column Frame (21-D) and slide new Adapter Block (21-C) in the Column Frame
6. Insert Screw (21-B) and secure it with "Nylock" Lock Nut (21-A)
7. Apply Loctite to Screws (20-D) and secure Gear Motor (20-E) to Adapter Block (20-F)
8. Secure Power Cable (20-C) with Clip (20-B) and Screw (20-A) to Adapter Block

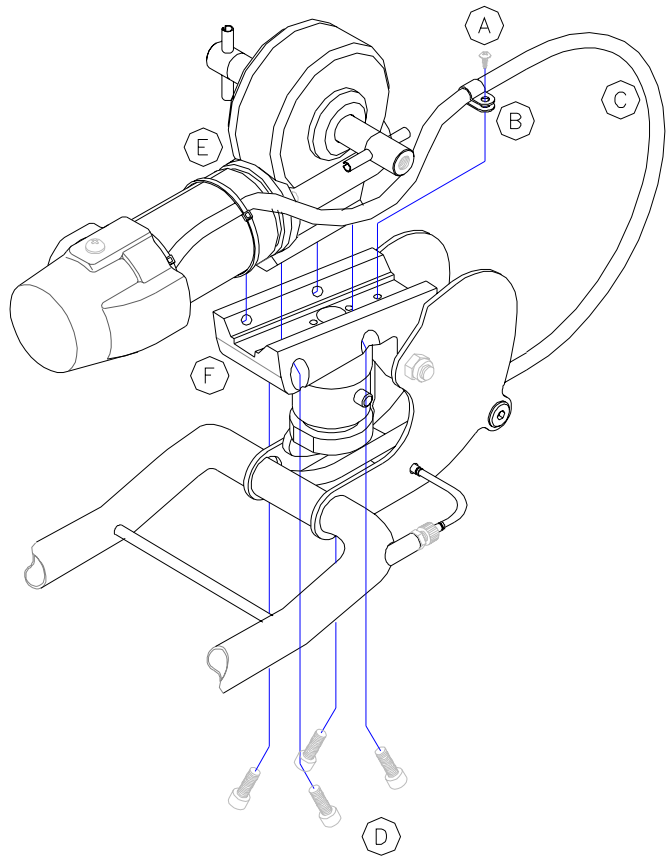


Figure 20

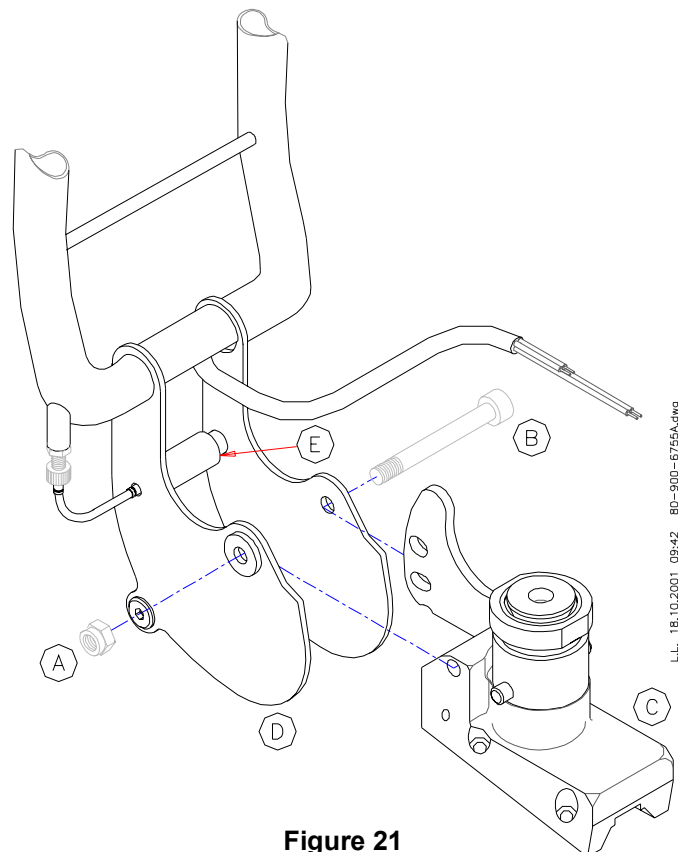


Figure 21

L.L. 17.10.2001 08:44 80-900-6755.dwg

L.L. 18.10.2001 09:42 80-900-6755A.dwg

9. Remove Screw (22-A) holding Pin (22-B)
10. Remove the Pin from the new Quick Release Mechanism, apply some Loctite in the thread and position it under the Conical Cap (22-C)
11. Secure the Pin (22-B) to the Cap with Screw (22-A) using a torque wrench, torque to 40 N-m.

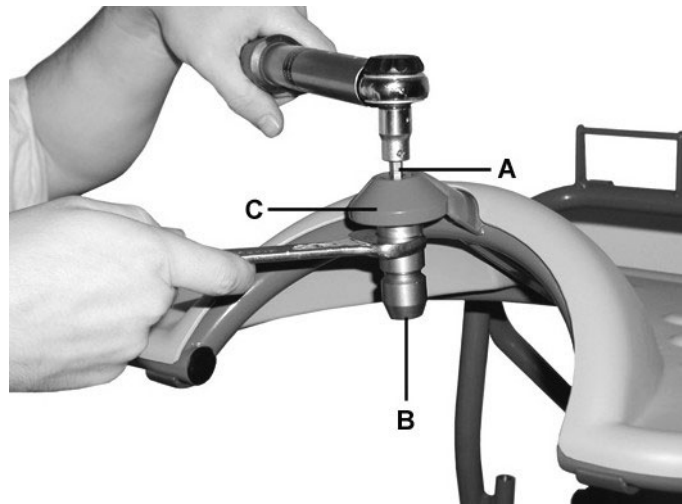


Figure 22

3.15 Upgrade from ET1 to ET1B

Kit Number E0-00-1-097

Tools:

Phillips #1 Screwdriver

Short Phillips #2 Screwdriver

Allen Key 5 mm

Allen Key 6 mm

1. Remove Screws (23-A) at the top and bottom of the Controller Cover (23-B) and remove Cover
2. Disconnect cables connected to Controller (23-C) and Power Cable (23-D)
3. Disconnect Control Cable (24-A), wiring to Controller (Fig. 24-B) and Contact Pins Assembly (24-C)
4. Remove Front Wheel Assembly, see instruction 3.11
5. Remove Securing Clip (page 21, 20-B) on the underside of the Adapter Block
6. Carefully pull the Power Cable out of the Column Frame
7. Insert new Power Cable from the motor end into Frame, using the attached iron-wire tool
8. Attach Power Cable to Controller, see instruction 3.10
9. Place new Controller Cover, see instruction 3.3
10. Secure new Gear Motor, see instruction 3.12
11. Check drive, brake and freewheel function

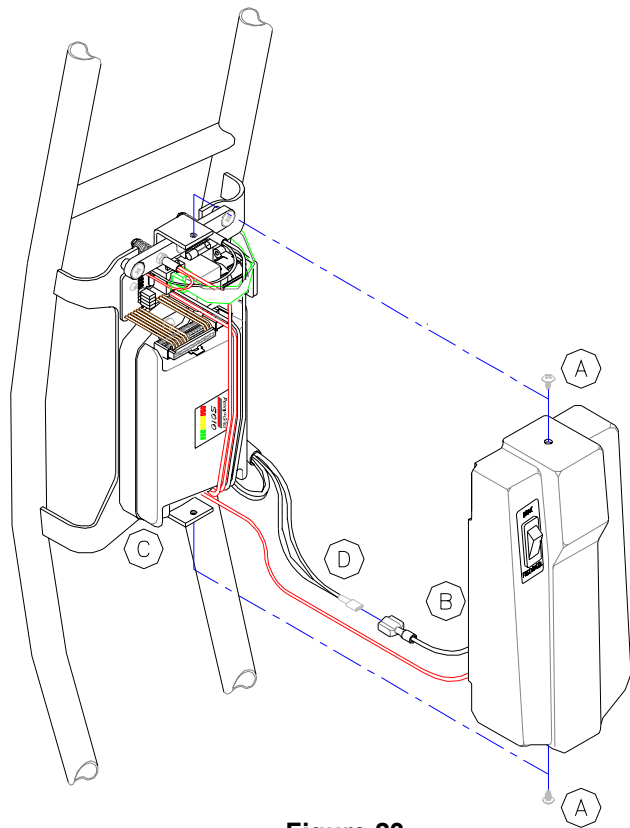


Figure 23

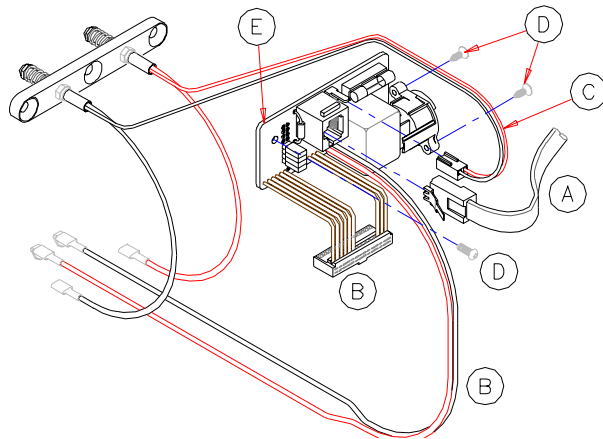


Figure 24

L.L. 10.10.2001 12:25 80-900-6713.dwg

L.L. 25.10.2001 09:53 80-900-6766.dwg

3.16 Top Bearing for Steering Axis

Kit number E0-00-1-067

Tools:

Drive Punch

Press/Vise/Mallet

1. Remove Adapter Block, see instruction 3.13 and place it so that the bearing is free to come out of the Pin Housing (26-B)
2. Remove the Bearing by tapping it with a Drive Punch alternatively through each one of the holes in the Top Pin Housing (Fig. 25-A)
3. Place the new Bearing (26-A) in the Top Pin Housing (26-B) and press/tap it into the Pin Housing

! NOTE: Make sure the bottom of the Bearing reaches its seating in the Pin Housing

4. Reassemble the Adapter Block, see instruction 3.13

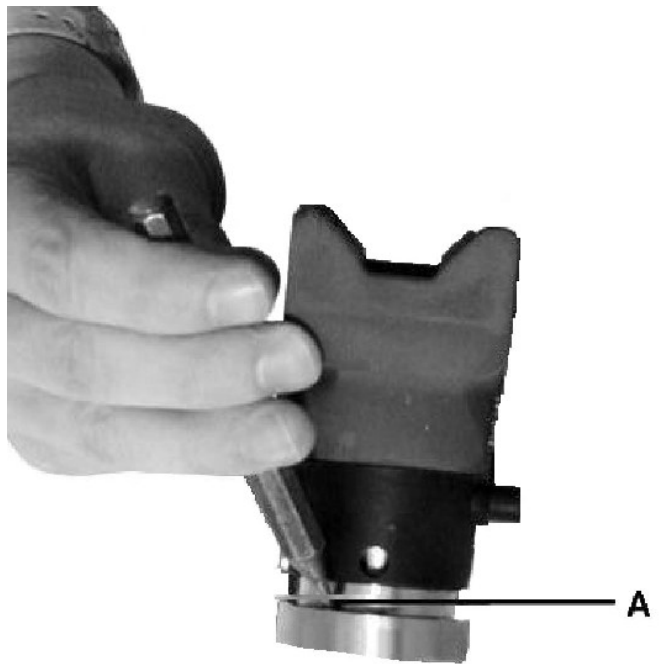


Figure 25

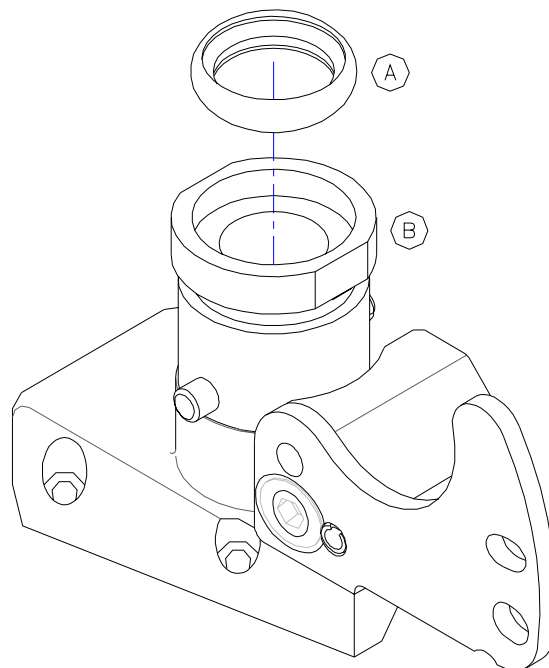


Figure 26

L.L. 18.10.2001 09:57 80-900-9580.dwg

3.17 Column Release Cable Kit

Kit Number E0-00-1-080

Tools:

Phillips #2 Screwdriver

Wrench, open end 8 mm

Allen key 3 mm

Wire Cutter

Pliers

Crimp Tool

Loctite Adhesive # 496 (3854)

Light grease/lubricant

1. Remove Control Panel Cover, see instruction 3.1
2. Remove Cable End Cone, Vinyl Caps and Screws (2x) and open Cable Locks
3. Slide Release Bushing out of Column Frame and remove Cable with Lock Pin and Spring
4. Thread Column Lock Pin (27-A) and Spring (27-B) onto the Column Lock Pin Cable (27-C)
5. Thread the Cable through the large hole in Connecting Plate (27-D), Column Lock Pin Housing (27-E) and the small hole in Connecting Plate (27-F)
6. Apply some lubricant to Lock Pin (27-A)
7. Thread the Cable Guide (27-G) onto the Cable and thread the cable into the Cable Guide Adjustable Stop (27-H) and through the Tube of Column Frame (27-J)
8. Thread the Release Bushing (27-K) with the threaded hole down onto the Cable making sure that the Cable passes through the two Cable Locks (27-L). Bring the Release Bushing (27-K) to its approximate position and lightly secure it with the Cable Locks (27-L)

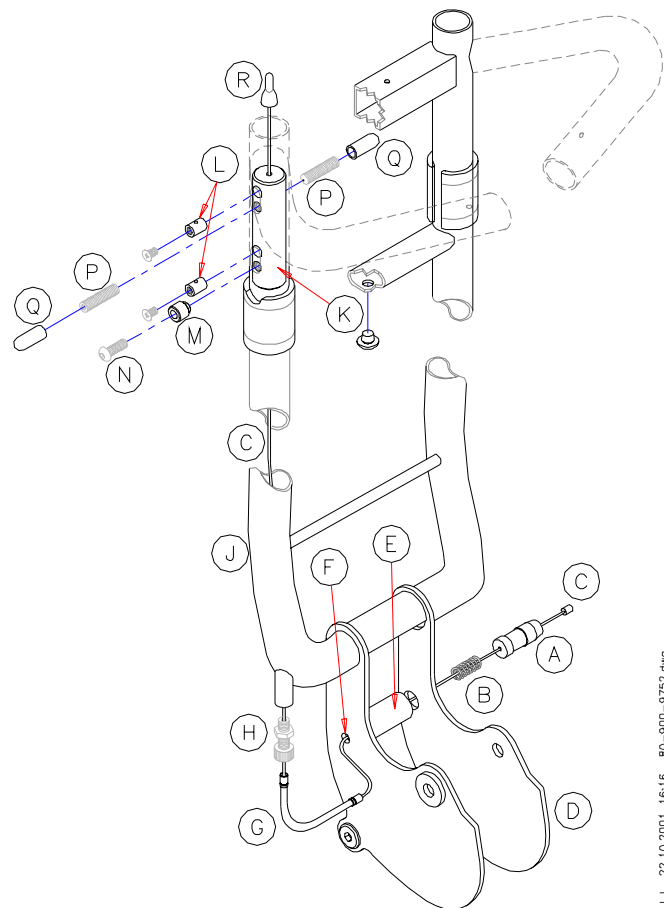


Figure 27

L.L. 22.10.2001 16:16 80-900-9752.dwg

9. Apply Loctite to Screw (27-N) and secure Column Latch Bushing (27-M) with it onto Release Bushing (27-K)
10. Take up the slack in the Cable (27-C) so that the end of the Column Lock Pin (27-A) is flush with the outside of Connecting Plate (27-D)
11. Release the two Cable Locks (27-L) and bring the Release Bushing (27-K) to its final position, Latch Bushing (27-M) reaching the bottom of slot in Column Frame Tube (27-J). Tighten the two Cable Locks (27-L)
12. Place the two Set Screws (27-P) in the upper threaded holes of the Release Bushing (27-K) and slide the two Vinyl Caps (27-Q) onto them.
NOTE: do not over-tighten the Screws (27-P) against the Cable.
13. Trim Cable to approximately 25 mm. (1") beyond the end of the Column Frame Tube. Crimp the Cable End Cone (27-R) onto the end of the Cable.
14. Test the function of the Column Lock Pin Assembly and adjust as necessary.
15. Fold Frame with Column attached to it, ensure the short pin (27-N) slides over the frame latch without forcing it and holds the frame in a latched position.
16. Release the latch, ensure the short pin (27-N) releases over the frame latch crown without jamming (low effort)

3.18 Black Vinyl Cap

Kit Number E0-00-1-078

Tools:

Screwdriver and/or

Pliers

Refer to Figure 27

1. Pry Cap (27-Q) off with Screwdriver or pair of Pliers; be careful not to chip the paint
2. Place new Cap, make sure it covers the whole Set Screw (27-P)

3.19 Protector Roller Kit

Kit Number E0-00-1-081

Tools:

Allen Key 5 mm

Loctite Adhesive # 242 (1312)

1. Open Cap Nut (28-A), remove Threaded Rod (28-B) and Roller (28-C)
2. Place the new Roller (28-C) between the two Plates (28-D) and align with holes
3. Insert Threaded Rod (28-B) through the holes and Roller and right hand Plate
4. Apply a drop of Loctite to the Cap Nut (28-A) and screw it onto the Rod (28-B); avoid excess spill of Loctite which may lock the Roller
5. Ensure that the assembly is not over-tightened and that the Roller can rotate freely

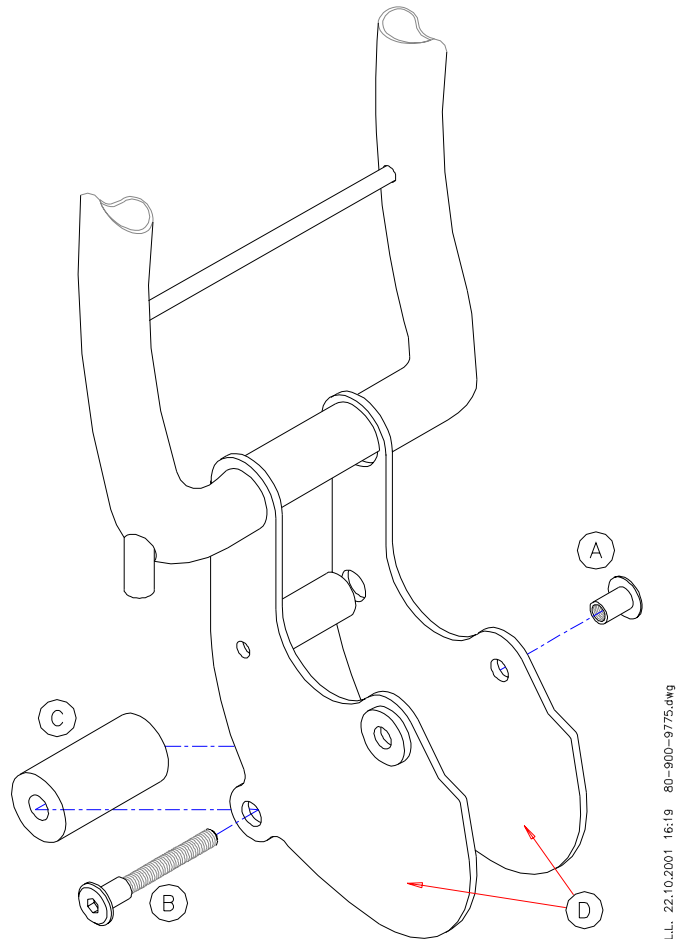


Figure 28

3.20 Column Frame

Kit Number E0-00-1-001 (Red ET1)

Kit Number E0-00-1-003 (Red ET1B)

Kit Number E0-00-1-002 (Blue ET1)

Kit Number E0-00-1-004 (Blue ET1B)

Kit Number E0-00-1-005 (Silver ET1B)

Tools:

Phillips #1 Screwdriver

Phillips #2 Screwdriver

Soldering Iron

Allen Key 2 mm

Allen Key 5 mm

Allen Key 6 mm

Pliers

Cutter

Cable Tie Tensioning Tool

The new Column Frame is issued with a Control Cable, Power Cable and Column Release Cable.

1. Remove from the old Column Frame:
 - a. Control Panel Assembly, see instruction 3.1
 - b. Controller Cover and Controller, see instructions 3.3 and 3.4
 - c. Battery Contacts, see instruction 3.5
 - d. Interface Circuit Board, see instruction 3.6
 - e. Adapter Block, see instruction 3.13; there is no need to disassemble Gear Motor from Adapter Block, just unsolder Power Cable from Motor End, see instruction 3.10
2. Assemble the removed articles to the new Column Frame

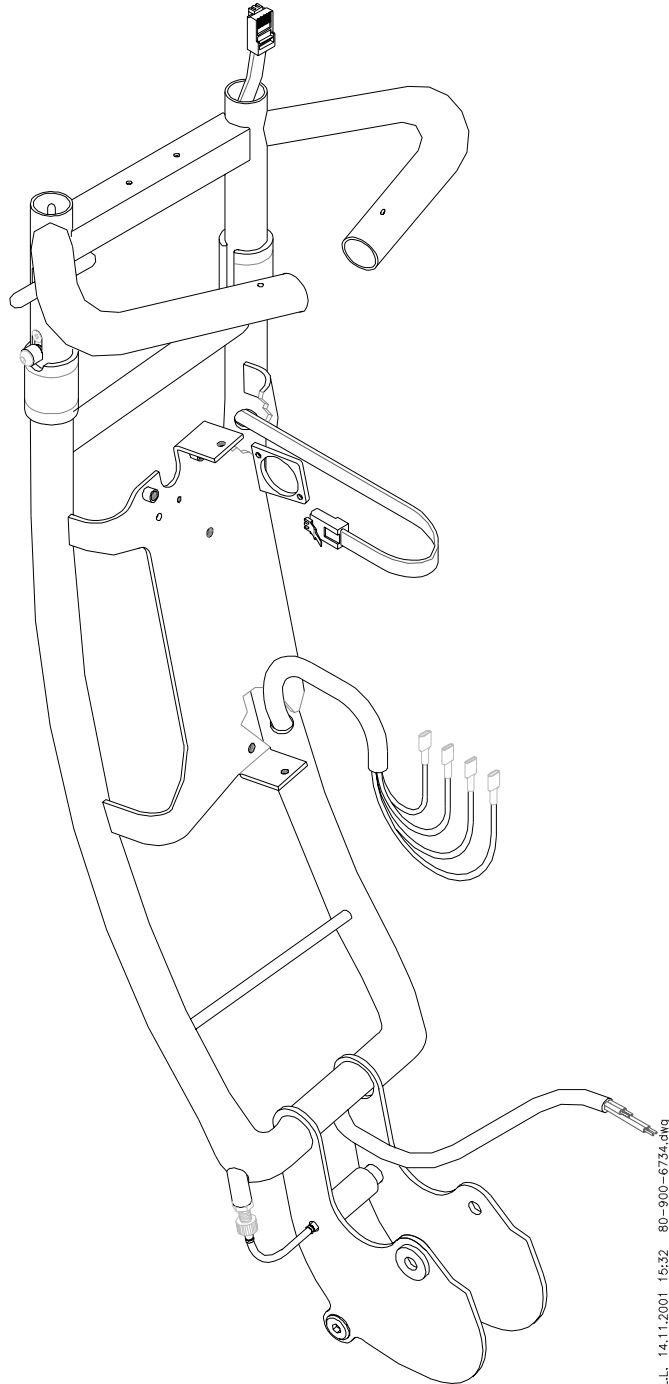


Figure 29

.L.L. 14.11.2001 15:32 80-900-6734.dwg

3.21 Battery Case / Battery Replacement

Kit Number E0-00-1-020 (Normal size)

Kit Number E0-00-1-021 (Jumbo size)

Tools:

Phillips #2 Screwdriver

Pliers

1. Remove Screws (30-A) from Battery Case and remove Cover (30-B)
2. Remove Batteries (30-C) from Case and detach Wires (30-D/E)
3. Place Batteries in new Case (-H) and attach red Wire (30-D) to positive/red marked Tab (30-F) and black Wire (30-E) to negative/black marked Tab (30-G)
NOTE: It is recommended to attach first the appropriate Wires to the Battery closest to the base of the Case and then insert it fully into the case; repeat in same order for Battery closest to Handlebar
4. Ensure that no Wires are caught under the Batteries
5. Secure Battery Cover (30-B) to Case with Screws (30-A)

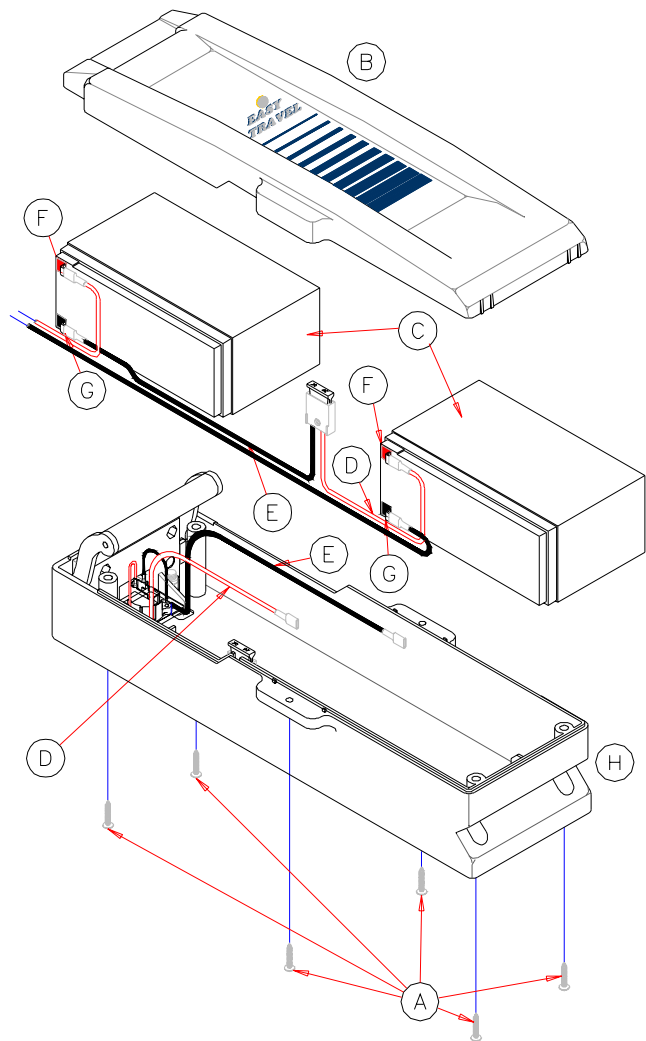


Figure 30

L.L. 23.10.2001 07:56 80-900-9764.dwg

3.22 Battery Cover

Kit Number E0-00-1-022 (Normal size)

Kit Number E0-00-1-025 (Jumbo size)

Tools:

Phillips #2 Screwdriver

1. Remove Screws (30-A) and Battery Cover (30-B)
2. Secure new Cover (30-B) to Case (30-H) with Screws (30-A)

3.23 Platform Lock Pin Kit

Kit Number E0-00-1-079 (serial # up to and including 0304999)

Kit Number E0-00-1-206 (serial # 0305001 and onwards)

Tools:

Pliers

Wrench, open end 8 mm

Phillips #2 Screwdriver

Allen Key 2 mm

Allen Key 4 mm (2x)

Cutter

Crimp tool

Loctite Adhesive #242 (1312)

Small Rod (diameter 15 mm)

Figure 32 refers to Seat model E0-00-1-060,
Figure 33 refers to Seat model E0-00-1-201.

1. Close the Seat in the folded down position (for the model with a lock, which is situated on the upper left hand side of the Seat: lock it)
2. Cut the Cone End (32-M, 33-D) from the Cable (31-C) and remove Cable
3. Thread the Bottom Lock Pin (31-A) and Spring (31-B) onto the Bottom Lock Pin Cable (31-C)
4. Thread the Cable through the Bottom Lock Pin Housing (31-D)
5. Thread the Cable Backstop (31-E) onto the Cable and screw it into the Housing so that approximately 3 mm. of thread is still visible and tighten it
6. Thread the Bottom Lock Cable Guide (31-F) onto the Cable and thread the Cable Guide through the Cable Sleeves (31-G)
7. For Seat model E0-00-1-060:
 - a. Thread the Cable Guide through the Cable Guide Bracket (32-H)
 - b. Thread the first Cable Lock (32-J) onto the Cable and thread the Cable through the Cable Bush (32-K)

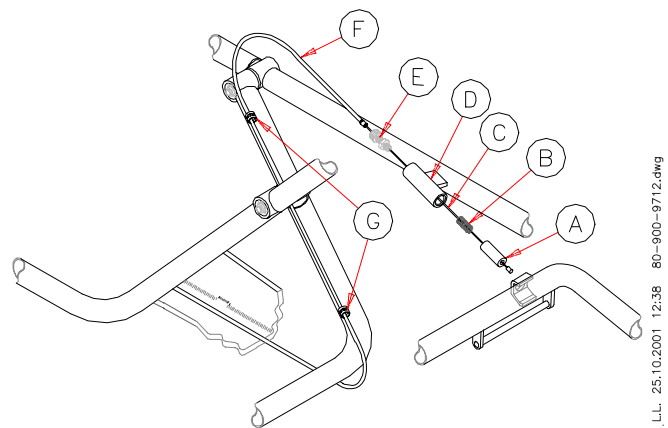


Figure 31

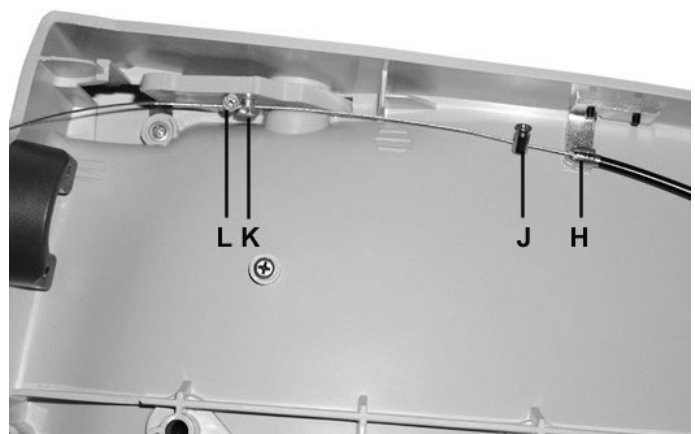
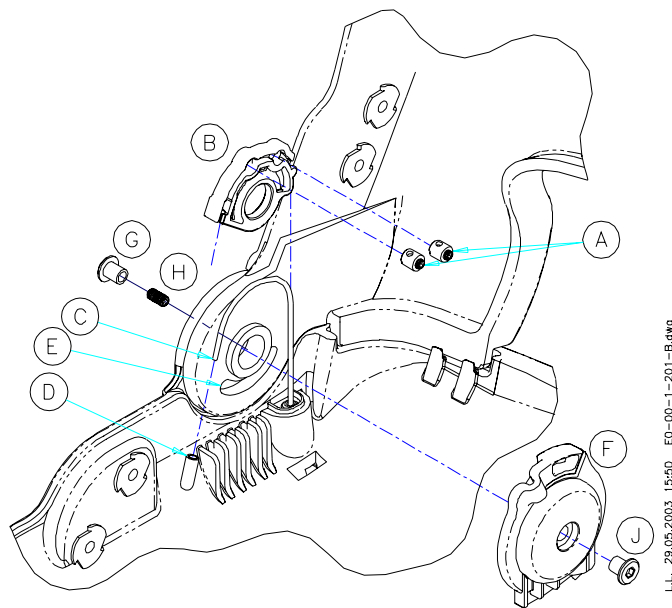


Figure 32

- c. Take up the slack in the Cable and tighten the first Lock against the Bracket (32-H)
- d. Push the Spring (31-B) and Lock Pin (31-A) into the Housing (31-D) so that the end of the Pin is flush with the end of the Housing
- e. Thread the second Cable Lock (32-L) onto the Cable, take up the slack and tighten the Lock against the Bushing (32-L)
- f. Trim the Cable to approximately 20 mm. and crimp the Cable End Cone (32-M) onto the end of the Cable



L.L. 29.05.2003 15:50 E0-00-1-201-B.dwg

Figure 33

8. For Seat model E0-00-1-201:
 - a. Insert Cable through Cable Stops (33-A) in Cable Holder (33-B), ensure that the Cable does not slack and close Cable Stops

NOTE: Seat Backrest needs to be in an upright position

NOTE: Keep Cable Holder in place with a small rod (diameter 15 mm)

- b. Secure End (33-C) with Cable End Stopper (33-D); ensure that the bend is outwards
- c. Place Cable Holder with Stud in Groove (33-E)
- d. Place Pivot Cap (33-F) over Cable Holder
- e. Apply some Loctite in Nut (33-G) and screw on Pivot Screw (33-H)
- f. Apply some Loctite in Nut (33-J)
- g. Assemble Pivot Cap (33-F) with Pivot Screw (33-H) and secure with Nut (33-J)

9. Test the efficiency of the assembly by unfolding the Frame Assembly, adjust as necessary

3.24 Seat Assembly

Kit Number E0-00-1-060 (serial # up to and including 0304999)

Kit Number E0-00-1-201 (serial # 0305001 and onwards)

Tools:

Phillips #2 Screwdriver

Pliers

Cutter

Crimp Tool

Loctite Adhesive # 242 (1312)

1. Disconnect the Lock Pin Cable from the seat, see instruction 3.22
2. Remove the two Screws (34-A) holding the Seat (34-D) to the "U" shaped Seat Attachment Bracket (34-B), the Sleeves (34-C) and Seat (34-D)
3. Insert the two frame seat support "horns" (34-E) through the seat holes (34-F)
4. Attach the replacement Seat (34-D) to the Bracket (34-B). Place the Sleeves (34-C) between the holes in the Bracket (34-B) and tighten the two Screws (34-A) until any lash is removed. Over tightening may cause friction on the frame tube resulting in higher folding effort.
5. Attach the Lock Pin Cable and adjust its locking function, see instruction 3.22

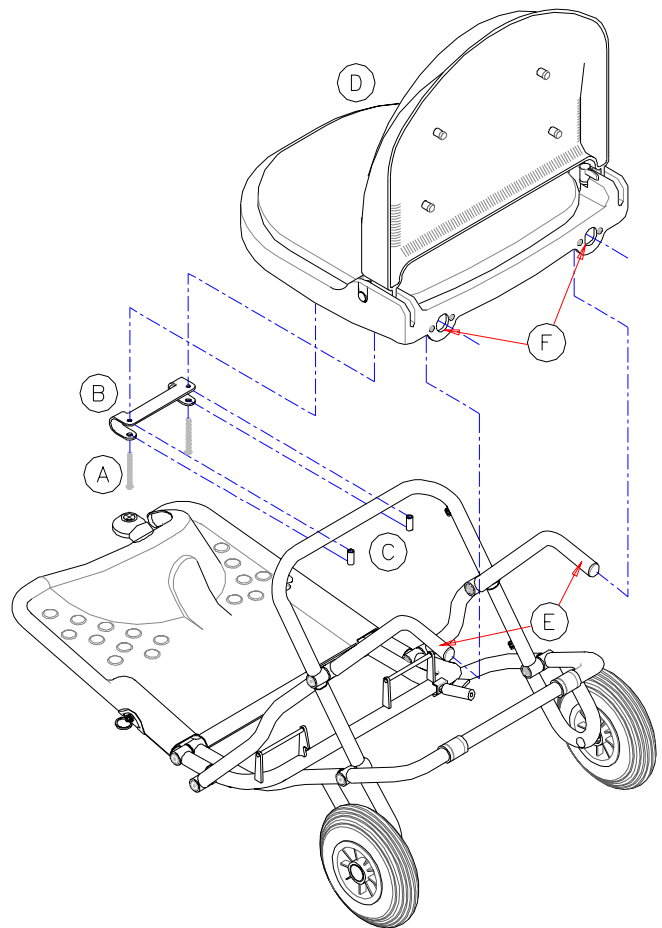


Figure 34a

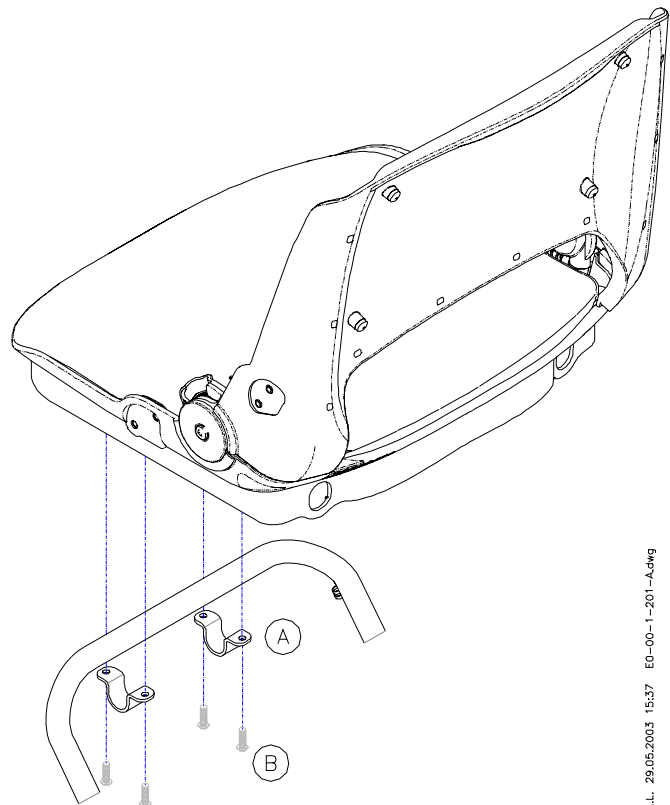


Figure 34b

L.L. 22.10.2001 08:52 80-900-9727.dwg

L.L. 29.05.2003 15:37 E0-00-1-201-A.dwg

3.25 Seat Back Pad

Kit Number E0-00-1-061 (up to and including serial # 0304999)

Kit Number E0-00-1-204 (serial # 0305001 and onwards)

Tools:

Phillips #2 Screwdriver

1. Remove the Screw Covers (35-A)
2. Remove the Screws (35-B) and Back Pad (35-C)
3. Align the tubes (35-D) of the Back Pad with the holes in the Seat Back (35-E)
4. Secure Back Pad with Screws (35-B)
5. Place Screw Covers (35-A)

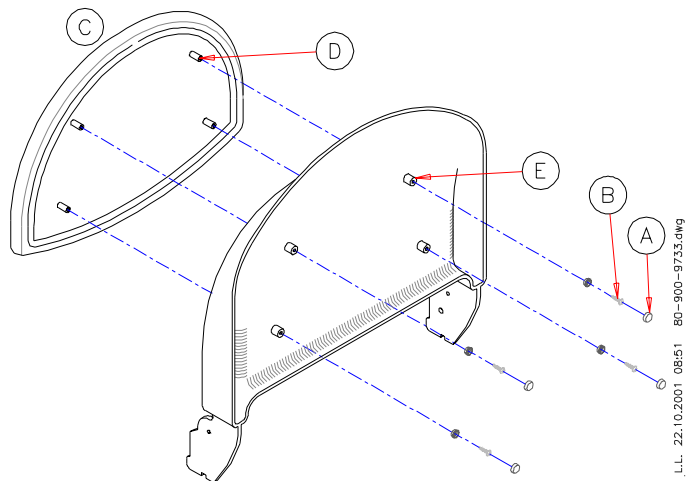


Figure 35

3.26 Seat Bottom Pad

Kit Number E0-00-1-062 (up to and including serial # 0304999)

Kit Number E0-00-1-203 (serial # 0305001 and onwards)

Tools:

Phillips #2 Screwdriver

Loctite Adhesive # 242 (1312)

For removal and attachment of Seat, refer to Figure 38, but without removing the Lock Pin Cable.

1. Remove the two Screws (34-A) holding the Seat (34-D) to the "U" shaped Seat Attachment Bracket (34-B) and the Sleeves (34-C)
2. Remove the Screws (36-A) and Bottom Pad (36-B)
3. Align the tubes (36-C) of the Bottom Pad with the holes in the Seat Bottom (36-D)
4. Secure Bottom Pad (36-B) with Screws (36-B)
5. Attach the Bracket (34-B) to Seat (34-C). Place the Sleeves (34-C) between the holes in the Bracket (34-B)
6. Apply Loctite to the two Screws (34-A) and tighten them until any lash is removed. Over tightening may cause friction on the frame tube resulting in higher folding effort.

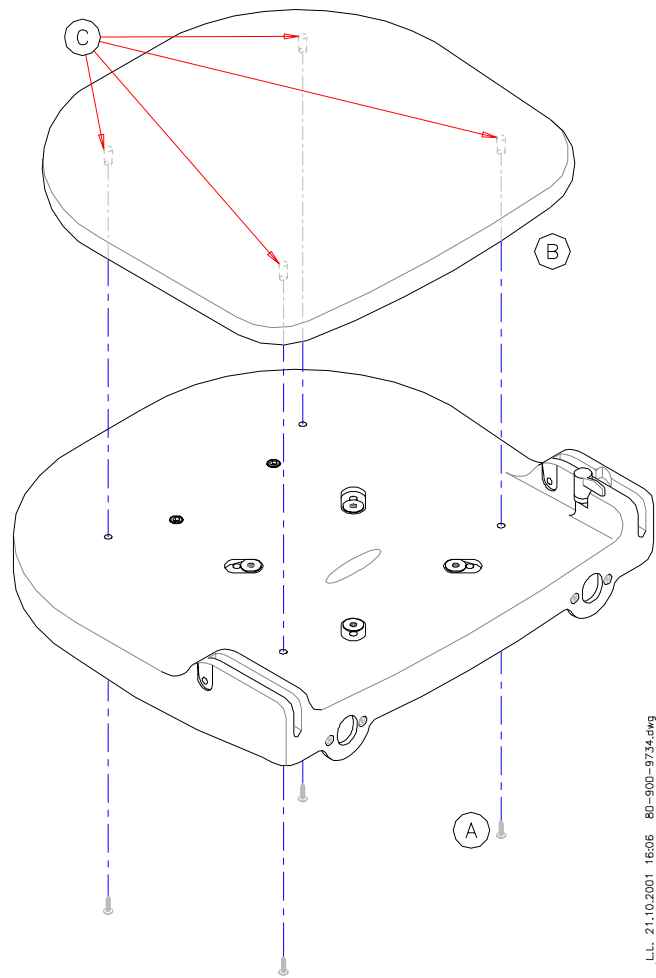


Figure 36

3.27 Seat Backrest Lock kit

Kit Number E0-00-1-063 (up to and including serial # 0304999)

Tools:

Phillips #2 Screwdriver

1. Remove Screw (37-D), Washer (37-C), Knob (37-B) and Stopping Snib (37-A)
2. Insert new Stopping Snib (37-A) in Seat Bottom
3. Attach Knob (37-B) to Stopping Snib and secure it with Washer (37-C) and Screw (37-D)
4. Check that a some effort is needed to open and close Lock
5. Check opening and closing functions of Lock and Seat

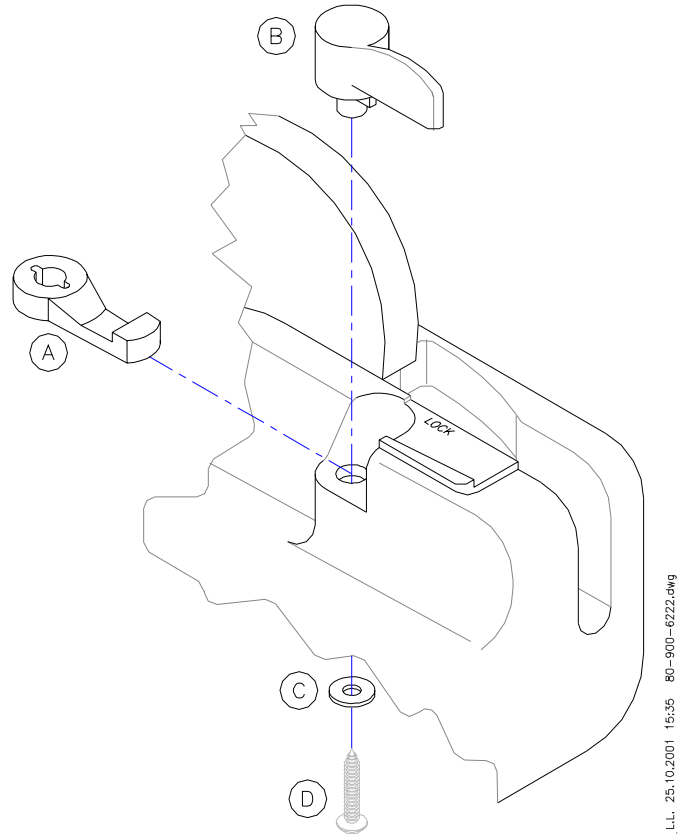


Figure 37

3.28 Seat Attachment Bracket

Kit Number E0-00-1-064 (up to and including serial # 0304999)

Kit Number E0-00-1-204 (serial # 0305001 and onwards)

Tools:

Phillips #2 Screwdriver

Loctite Adhesive # 242 (1312)

Refer to Figure 37

1. Remove the two Screws (34-A) holding the Seat (34-D) to the "U" shaped Seat Attachment Bracket (34-B) and the Sleeves (34-C)
2. Remove the Bracket (34-B)
3. Attach the new Bracket (34-B) to Seat (34-C). Place the Sleeves (34-C) between the holes in the Bracket (34-B)
4. Apply Loctite to the two Screws (34-A) and tighten them until any lash is removed. Over tightening may cause friction on the frame tube resulting in higher folding effort.

3.29 Footrest Platform

Kit Number E0-00-1-077

Tools:

Cleaning detergent

Clamps

1. Remove old Platform (38-A) and any remainders of Adhesive Tape
2. Clean Frame surface (38-B) with a detergent and wipe dry with a clean cloth
3. Remove protective film from Tape sections (38-C)
4. Secure Platform (38-A) to Frame (38-B) with two clamps
5. Leave for 15 minutes before removing the clamps

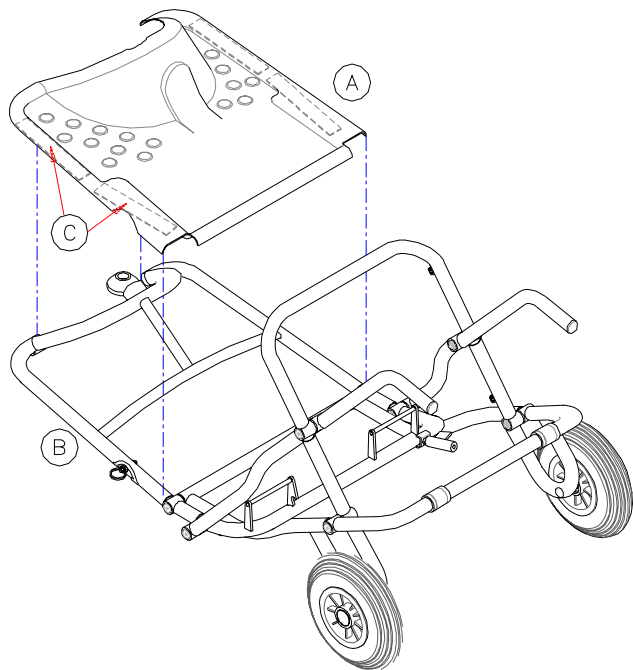


Figure 38

L.L. 22.10.2001 14:46 80-900-9748.dwg

3.30 Folding Lock Pin Kit

Kit Number E0-00-1-065

Tools:

Circlip pliers

1. Remove the old Pull Ring (39-F), Circlip (39-E) and Washer (39-D). Extract the old Spring (39-A) and old Pin (39-C) from the Pin Housing (39-B)
2. Insert new Spring (39-A) and Pin (39-C) into Pin Housing (39-B)
3. Apply pressure to the end of the Pin so that it projects through the Pin Housing, place Washer (39-D) and fit Circlip (39-E) into its groove at the end of the Pin
4. Insert the Pull Ring (39-F) into the hole in the end of the Pin
5. Test the assembly to ensure that the Pin returns to its original position after pulling on the Pull Ring

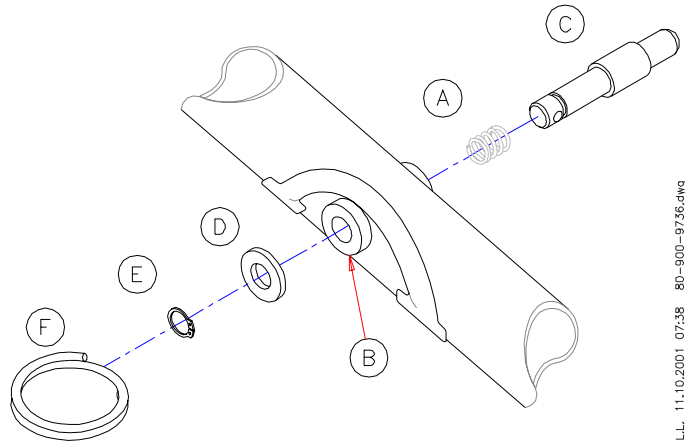


Figure 39

3.31 Ring for folding lock

Kit Number E0-00-1-066

Refer to Figure 39.

1. Remove old Pull Ring from the Pin
2. Insert the Pull Ring (39-F) into the hole in the end of the Pin

3.32 Rear Wheel Assembly

Kit Number E0-00-1-068

Tools:

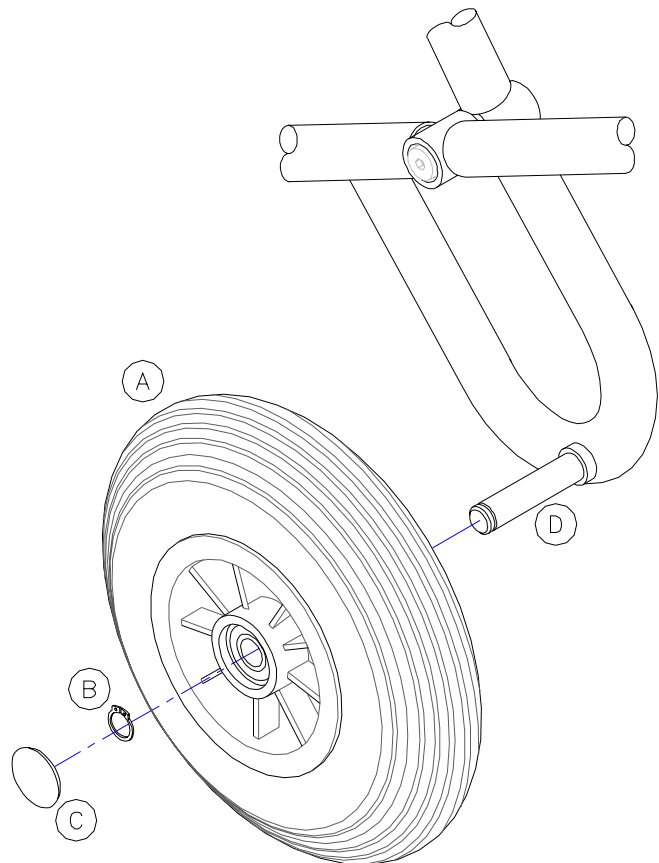
Circlip Pliers

Screwdriver

Soft Mallet

Extractor with scratch protection

1. Remove old End Cap (40-C) using a screwdriver. Remove old Circlip (40-B) and Wheel. If needed use an extractor to remove the bearing from the Axle (41)
2. Place new Wheel (40-A) on Axle of Rear Frame (40-D)
3. Fit new Circlip (40-B) into its groove at the end of the Axle
4. Fit new End Cap (40-C) to the end of the Axle using a mallet
NOTE: Protect the End Cap with rubber or a cloth; direct sharp blows will deform the Cap
5. Ensure that the Wheel rotates freely on the Axle



L.L. 22.10.2001 14:34 80-900-9711.dwg

Figure 40

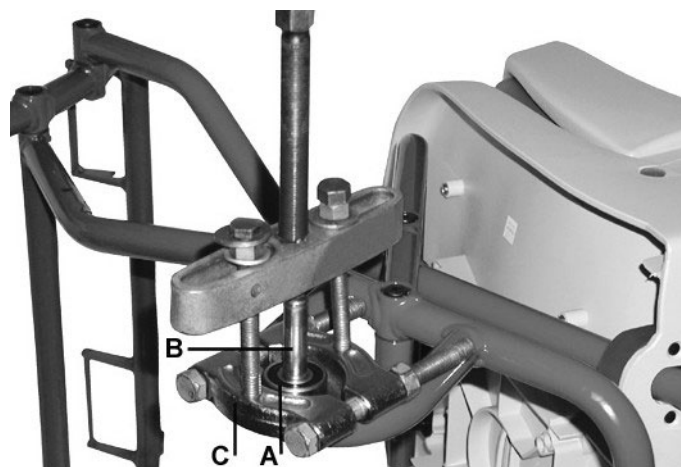


Figure 41

3.33 Front Column Paint Protector Clips

Kit Number E0-00-1-072

Tools:

Screwdriver

Soft Mallet

1. Cover the flat tip of a screwdriver with masking tape or electrical tape to prevent paint damage
2. Remove the old Clip (42-A) from the Tube (42-B) by prying on the end
3. Align the new Clip's slotted stud with the hole in the Tube. Tap it into place using a mallet or by squeezing with your fingers

NOTE: Be sure to apply the correct clip on each side of the column: the left-side clip has a notch for the column release slide.

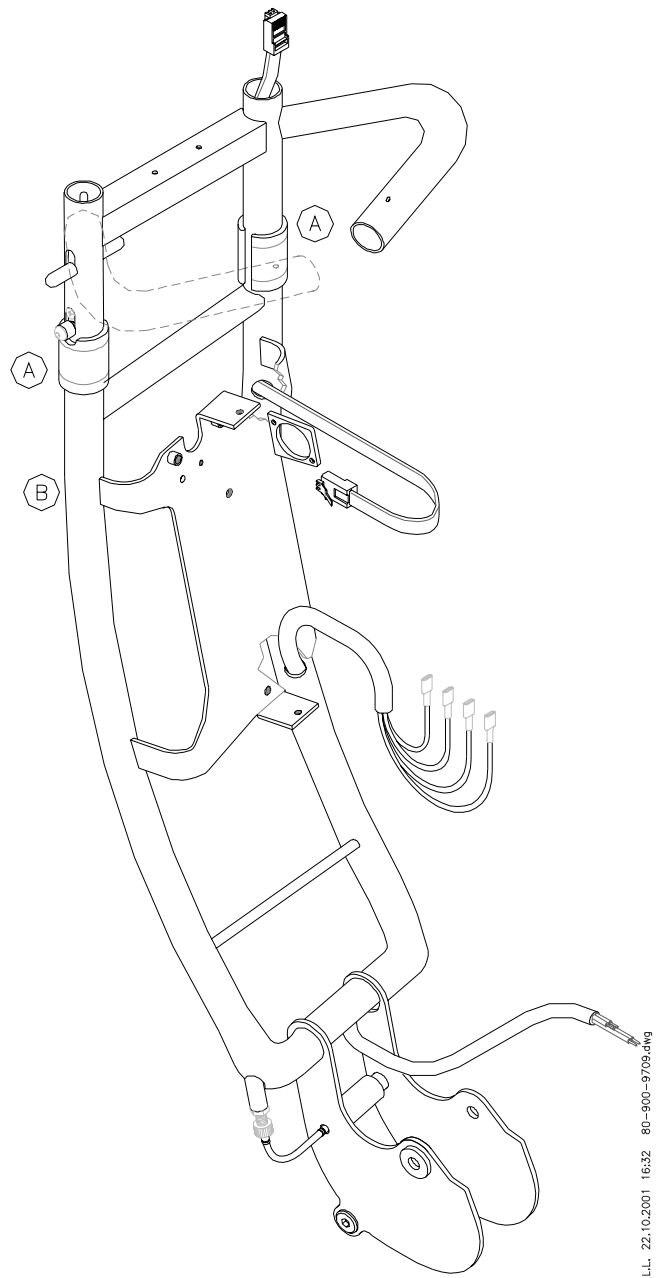


Figure 42

3.34 Flat Cap (front platform)

Kit Number E0-00-1-074

Tools:

Screwdriver and/or

Pliers

Soft Mallet

1. Cover the flat tip of a screwdriver with masking tape or electrical tape to prevent paint damage
2. Remove the old Cap (43-A)
3. Tap the Cap (43-A) gently into the Tube end (43-B) using a mallet

NOTE: Sharp blows will deform the Cap

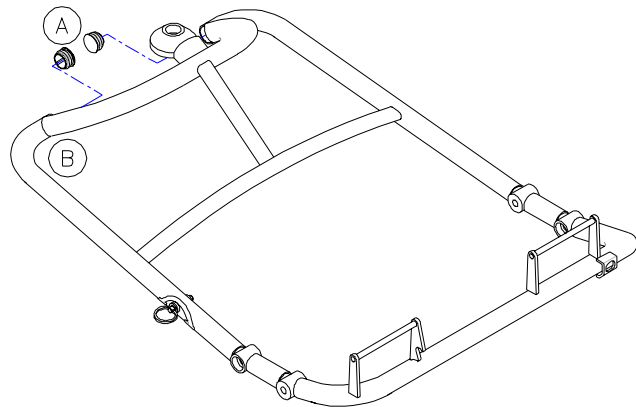


Figure 43

.L.L. 22.10.2001 16:46 80-900-9708.dwg

3.35 Front Platform Paint Protector Clips

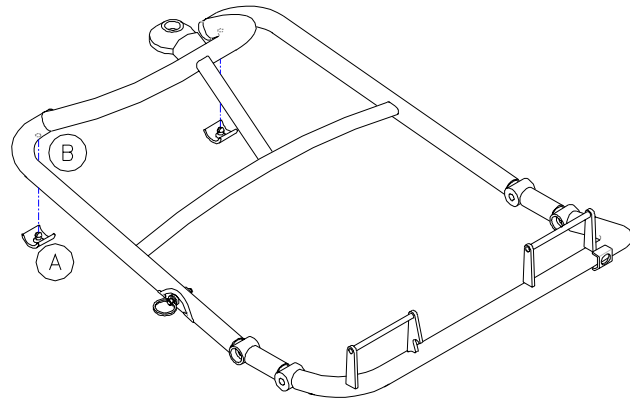
Kit number E0-00-1-073

Tools:

Screwdriver

Soft Mallet

1. Cover the flat tip of a screwdriver with masking tape or electrical tape to prevent paint damage
2. Remove the old Clip (44-A) from the Tube (44-B) by prying on the end
3. Align the new Clip's slotted stud (44-A) with the hole in the Tube (44-B). Tap it into place using a mallet or by squeezing with your fingers



L.L. 23.10.2001 07:38 80-900-6722.dwg

Figure 44

3.36 Domed Caps (Seat Supports)

Kit Number E0-00-1-075

Tools:

Screwdriver and/or

Pliers

Soft Mallet

1. Cover the flat tip of a screwdriver with masking tape or electrical tape to prevent paint damage
2. Remove the old Cap (45-A)
3. Tap the Cap (45-A) gently into the Tube end (45-B) using a mallet

NOTE: Sharp blows will deform the Cap

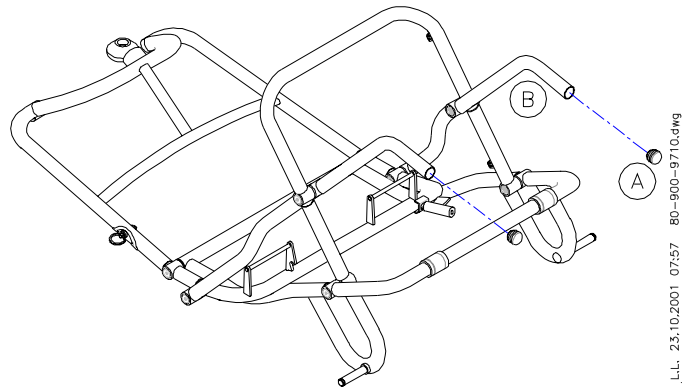


Figure 45

3.37 Rear Frame Paint Protector Clips

Kit number E0-00-1-071

Tools:

Screwdriver

Soft Mallet

1. Cover the flat tip of a screwdriver with masking tape or electrical tape to prevent paint damage
2. Remove the old clip (46-A) from the Tube (46-B)
3. Align the new Clip's slotted stud (46-A) with the hole in the Tube (46-B). Tap it into place using a mallet or by squeezing with your fingers.

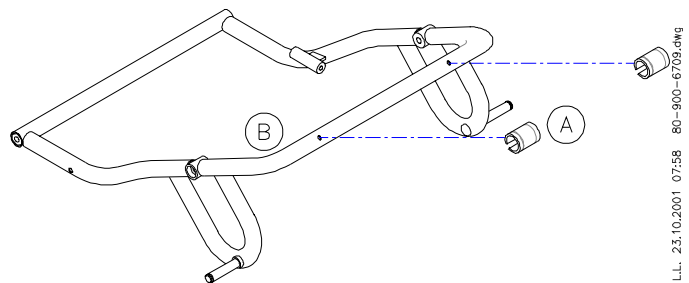


Figure 46

4. PROGRAMMING OF THE SOLO CONTROLLER

4.1 Introduction

The *EasyTravel* electric system is operated by the Solo Controller manufactured by Penny & Giles Technologies Ltd. (UK).

4.2 The SP1 Programmer

The SP1 is a handheld programmer for use with the Solo controller.

The programmer is a menu-driven device, which plugs directly into the controller.

The SP1b Programmer (Engineering Version) can set all of the key controller speed, acceleration and braking characteristics, and allows different settings to be tried out while the programmer is still plugged into the controller. A context-sensitive help function is available to guide users through the menus and the SP1b can also display error messages from the controller. This allows any problems with the vehicle electrical system to be identified and corrected quickly.

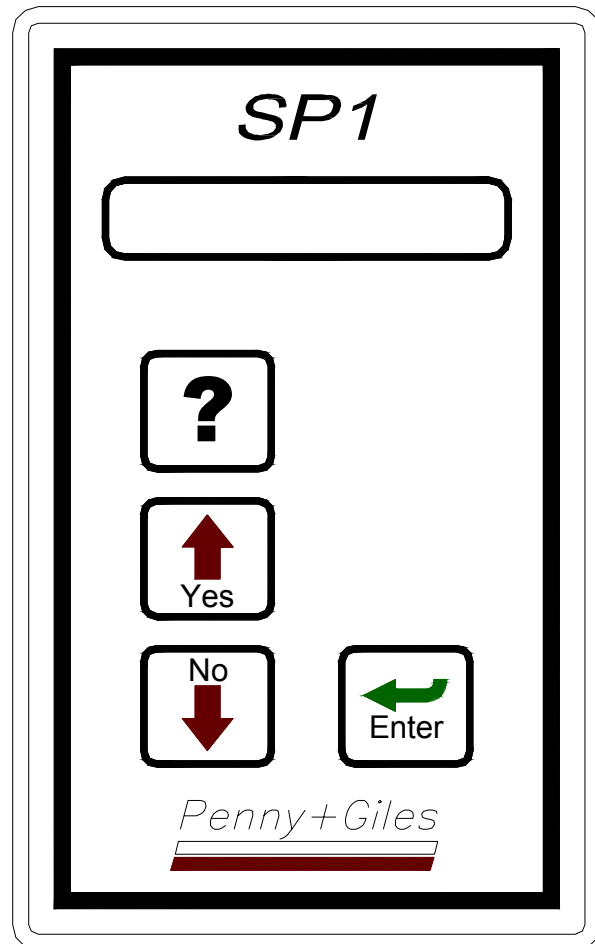


Figure 47

WARNING

Programming should only be conducted by competent personnel with in-depth knowledge of Penny & Giles electronic controllers. Incorrect programming could result in an unsafe set-up of a vehicle for a user. Tzora Active Systems accepts no liability for losses of any kind if the programming of the controller is altered from factory pre-set values.

The following table shows the Solo Controller settings for the **EasyTravel** as defined by Tzora Active Systems.

Function	Fast	Slow
Forward Acceleration	2.0 s	2.0 s
Forward Deceleration	0.9 s	1.3 s
Reverse Acceleration	3.0s	3.0 s
Reverse Deceleration	2.5s	2.5 s
Forward Speed	100%	50%
Reverse Speed	50%	30%
Invert Throttle Polarity	No	
Power Down Timer	10 min	
Current Limit	20A	
Motor Compensation	200mΩ	
Hold Factor	152%	
Mid Current	50%, 10 s	
Brake Time	0.1s	
ISO Tests	Off	
Inhibit Polarity	Lo	
Bridge Hold Time	200 ms	
Throttle Gain	750%	
Pulse Reverse Alarm	No	
Wig-wag Throttle	Yes	
Low Battery Flash Inhibit	No	
Throttle Deadband	15%	
Output Voltage	24V	
TruCharge Cable Resistance	40mΩ	
TruCharge Cal.	95	

4.3 Using The SP1b

Please contact Tzora Active Systems for more information about and the acquiring of the SP1b Programmer. The Programmer is shipped with an extensive guide. Please read the guide carefully before using the SP1b Programmer.

Setting parameters to incorrect values could damage controllers and motors, and invalidate any warranties.

5. FAULT FINDING

5.1 Introduction

Tzora Active Systems provides for profound training in Fault Finding to the major distributors of the **EasyTravel**. Please contact the authorized Tzora Distributor in your country or Tzora for more information.

5.2 Electrical System

5.2.1. *Detecting that a Fault has occurred*

A fault is signaled by a rapid flashing of the status indicator. Care should be taken because the controller gives a low battery warning by a slow flash of the status indicator. This is not a fault, just a reminder that you should charge your batteries. To detect a fault in the Solo Controller, the SP1b Programmer is used. It can detect various faults, for instance a motor wiring fault, a throttle fault, a possible controller fault or a fault in the solenoid brakes.

5.2.2. *Fault Diagnosis using the SP1b*

The SP1b indications should only be used to decide the starting point of your own diagnosis, as it is possible for the controller to indicate a fault in another component even though the controller itself is at fault. Nevertheless, experience has shown that connectors and wiring are the major cause of vehicle electrical problems, so it is necessary to examine these most vulnerable areas first.

Further information is to be found in the Programming and Fault Finding Guide that is shipped with the SP1b Programmer.

5.2.3. *Servicing of Defective Solo Controllers*

There are no serviceable parts within the Solo Controller. Consequently, any defective units must be returned to Tzora Active Systems for repair.

Opening or making any unauthorized adjustments or modifications to the controller or its components will invalidate any warranty and may result in hazards to the vehicle user, and is strictly forbidden.

WARNING

Faultfinding and repairs should only be conducted by competent personnel, authorized by Tzora Active Systems. Incorrect repair or tampering could result in a hazardous defect in the *EasyTravel*. Tzora Active Systems accept no liability for losses of any kind arising from unauthorized adjustment or modification to the *EasyTravel*.

6. CONTROL CONNECTIONS AND ELECTRICAL WIRING

For more information please contact your authorized Tzora Distributor or Tzora Active Systems.

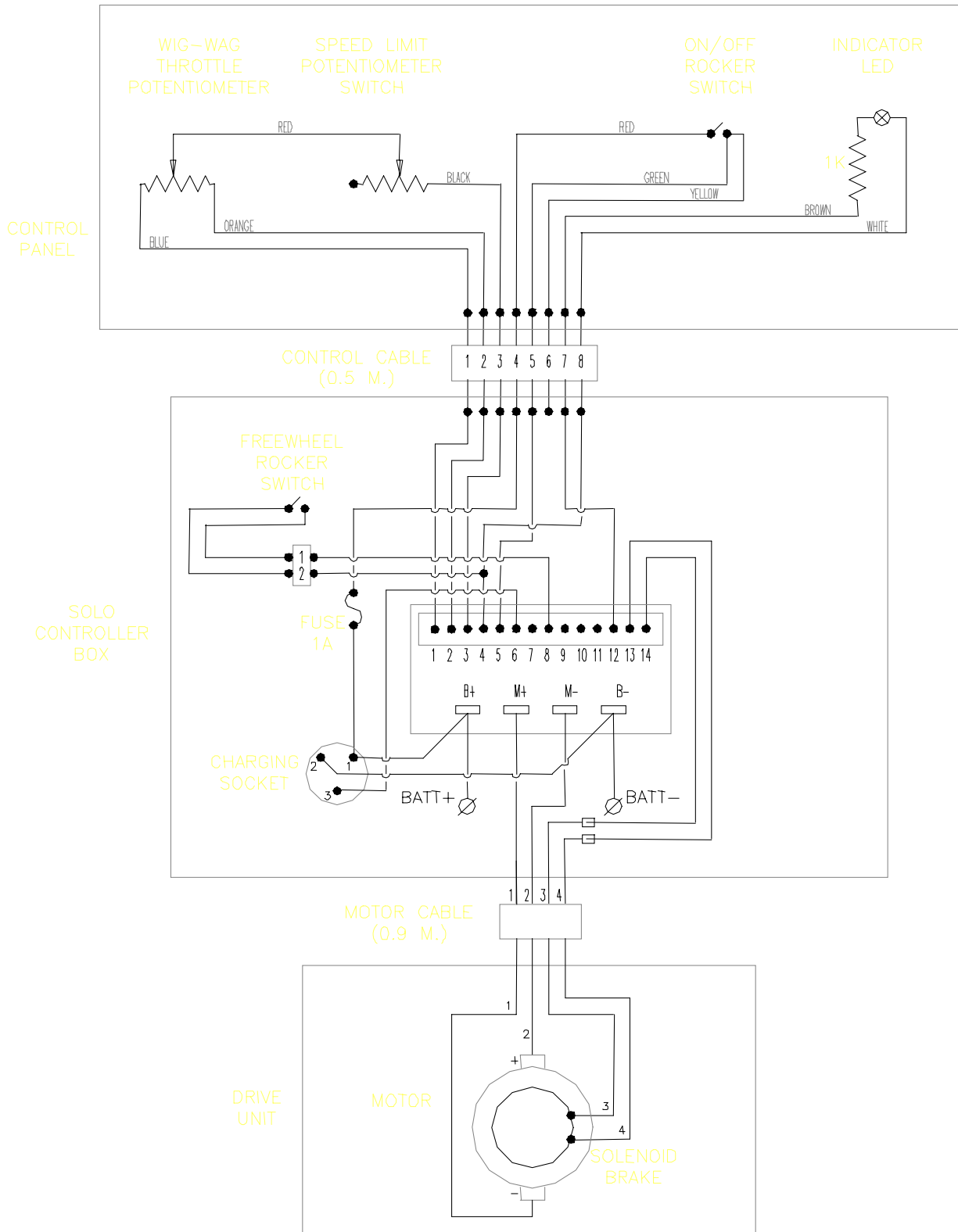


Figure 48

7. CHARGER

Technical data:

- 24 Volts, 2Amp Constant Current
(equivalent to 3A tapered charger in charging time)
- Universal Input 100VAC to 240VAC - **Suitable anywhere in the world**
- Automatic Cut-off and then true Float. Can be left connected indefinitely without harming the battery
- Size
Length: 165 mm (6.5")
Width: 80 mm (3.1")
Height: 50 mm (2.0")
- Weight
550 grams (1.2 lbs.)

8. SPARE PARTS

8.1 List of Spare Parts Kits

Part Number	Description	Included in Kit	Page
E0-00-1-046			
E0-00-1-202	Control Panel Assembly – MobiGo	Control Panel, Top and Bottom Cover, Screws	6
E0-00-1-701			
E0-00-1-070	Handgrip pair		8
E0-00-1-034	Controller Cover ET1B	Controller Cover, Screws	9
E0-00-1-705			
E0-00-1-032	Controller		10
E0-00-1-704			
E0-00-1-059	Battery Contacts	Battery contacts, Screws	12
E0-00-1-058	Interface Circuit Board ET1B	Screws	13
E0-00-1-703	Contacts and Charging Socket Assembly	Screws	14
E0-00-1-054	Control Cable		15
E0-00-1-702			
E0-00-1-083	Motor End Cover ET1B	Screw	16
E0-00-1-096	Motor End Cover ET1B PV	Screws	
E0-00-1-037	Motor Brushes		17
E0-00-1-056			
E0-00-1-093	Power Cable ET1B	Securing Clip, Screw	18
E0-00-1-095			
E0-00-1-706			
E0-00-1-069	Front Wheel Assembly	Front Wheel, Allen Screw, Washer, Flat Cap	20
E0-00-1-035	Gear Motor ET1		21
E0-00-1-094	Gear Motor ET1B		21
E0-00-1-708			
E0-00-1-038	Adapter Block Assembly	Adapter Block, positioning plate, quick release mechanism	22
E0-00-1-707			
E0-00-1-097	Upgrade Kit from ET1 to ET1B	Gear Motor PV, Power Cable PV, Interface Circuit Board ET1B, Controller Cover ET1B	24
E0-00-1-067	Top Bearing for Steering Axis		25
E0-00-1-080	Column Release Cable Kit	Pin, Spring, Cable, Cable Guide, Adjustable Stop, Cable Stops, Release Bushing, Allen Screw, Latch Bushing, Set Screws, End Cone, Vinyl Caps	26
E0-00-1-078	Black Vinyl Cap		28
E0-00-1-081	Protector Roller Kit	Roller, Threaded Rod, Cap Nuts	29
E0-00-1-001 (Red ET1)			
E0-00-1-002 (Blue ET1)			
E0-00-1-003 (Red ET1B)	Column Frame	Handgrip pair, Column Release Cable, Paint Protector Clips, Protector Roller, Control Cable, Power Cable	30
E0-00-1-004 (Blue ET1B)			
E0-00-1-005 (Silver ET1B)			
E0-00-1-020 (Normal)	Battery Case	Electric Wiring, Screws	31
E0-00-1-021 (Jumbo)			

E0-00-1-022 (Normal) E0-00-1-025 (Jumbo)	Battery Cover – MobiGo	Screws	31
E0-00-1-079 E0-00-1-206	Platform Lock Pin Kit	Pin, Spring, Cable, Adjustable Stop, Cable Guide, Cable Locks, End Cone	32
E0-00-1-060 E0-00-1-201	Seat Assembly	Seat Bottom + Pad, Seat Back + Pad	34
E0-00-1-061 E0-00-1-204	Seat Back Pad	Screws, Washers, Screw Covers	35
E0-00-1-062 E0-00-1-203	Seat Bottom Pad	Screws	36
E0-00-1-063	Seat Backrest Lock		37
E0-00-1-064 E0-00-1-204	Seat Attachment Bracket	Bracket, Sleeves, Screws	38
E0-00-1-077	Footrest Platform		39
E0-00-1-065 E0-00-1-066	Folding Lock Pin Kit Ring for Folding Lock	Pin, Spring, Washer, Circlip, Pull Ring	40
E0-00-1-068	Rear Wheel Assembly	Rear Wheel, Circlip, End Cap	41
E0-00-1-072	Front Column Paint Protector Clips	Full Circle Clip, Full Circle Clip with Notch	42
E0-00-1-074	Flat Cap (Front Platform)	2 Caps	43
E0-00-1-073	Front Platform Paint Protector Clips	2 Semicircle Clips	44
E0-00-1-075	Domed Caps (Seat Supports)	2 Domed Caps	45
E0-00-1-071	Rear Frame Paint Protector Clips	2 Full Circle Clips	45

8.2 Spare Parts Kit Index

Part Number	Description	Page
E0-00-1-001 (Red ET1) E0-00-1-002 (Blue ET1) E0-00-1-003 (Red ET1B) E0-00-1-004 (Blue ET1B) E0-00-1-005 (Silver ET1B)	Column Frame	30
E0-00-1-020 (Normal) E0-00-1-021 (Jumbo)	Battery Case	31
E0-00-1-032 E0-00-1-704	Controller	10
E0-00-1-034 E0-00-1-705	Controller Cover ET1B	9
E0-00-1-035	Gear Motor ET1	21
E0-00-1-037	Motor Brushes	17
E0-00-1-038 E0-00-1-707	Adapter Block Assembly	22
E0-00-1-054 E0-00-1-702	Control Cable	15
E0-00-1-056 E0-00-1-093 E0-00-1-095	Power Cable ET1B	18

E0-00-1-706		
E0-00-1-058	Interface Circuit Board ET1B	13
E0-00-1-059	Battery Contacts	12
E0-00-1-060	Seat Assembly	34
E0-00-1-201		
E0-00-1-061	Seat Back Pad	35
E0-00-1-204		
E0-00-1-062	Seat Bottom Pad	36
E0-00-1-203		
E0-00-1-063	Seat Backrest Lock	37
E0-00-1-064	Seat Attachment Bracket	38
E0-00-1-204		
E0-00-1-065	Folding Lock Pin Kit	40
E0-00-1-066	Ring for Folding Lock	40
E0-00-1-067	Top Bearing for Steering Axis	25
E0-00-1-068	Rear Wheel Assembly	41
E0-00-1-069	Front Wheel Assembly	20
E0-00-1-070	Handgrip pair	8
E0-00-1-071	Rear Frame Paint Protector Clips	45
E0-00-1-072	Front Column Paint Protector Clips	42
E0-00-1-073	Front Platform Paint Protector Clips	44
E0-00-1-074	Flat Cap (Front Platform)	43
E0-00-1-075	Domed Caps (Seat Supports)	45
E0-00-1-077	Footrest Platform	39
E0-00-1-078	Black Vinyl Cap	28
E0-00-1-079	Platform Lock Pin Kit	32
E0-00-1-206		
E0-00-1-080	Column Release Cable Kit	26
E0-00-1-081	Protector Roller Kit	29
E0-00-1-083	Motor End Cover ET1B	16
E0-00-1-096	Motor End Cover ET1B PV	
E0-00-1-094	Gear Motor ET1B	21
E0-00-1-708		
E0-00-1-097	Upgrade Kit from ET1 to ET1B	24
E0-00-1-703	Contacts and Charging Socket Assembly	14
E0-00-1-022 (Normal)	Battery Cover – MobiGo	31
E0-00-1-025 (Jumbo)		
E0-00-1-046	Control Panel Assembly – MobiGo	6
E0-00-1-202		
E0-00-1-701		

9. LIST OF TOOL TYPES

Screwdrivers:

Phillips #1
Phillips #2
Short Phillips #2
Flat Blade

Allen Keys:

2 mm
3 mm
4 mm
5 mm
6 mm
8 mm

Wrenches:

Open End 8 mm
Open End 14 mm
Open End 19 mm
Torque wrench

Loctites:

#242 (1312)
#496 (3854)

Other Tools

Cable Tie Tensioning Tool
Circlip Pliers (normal)
Circlip Pliers (small)
Clamps
Cleaning detergent
Crimp Tool
Cutter
Drive Punch
Extractor
Hot Air Gun
Light Grease/Lubricant
Pliers
Press/Vise/Mallet
Silicone Spray
Soft Mallet
Solder
Soldering Iron

The **EasyTravel** and its accessories have been designed, manufactured and tested in accordance with the specification of the following:

DIRECTIVE: Medical devices 93/42 EEC



Manufactured by:



Kibbutz Tzora 99803, ISRAEL
Web site: www.tzora.com

EC Authorized Representative:

Medical Specialities Ltd.
Blackburn, BB2 4HT UK