

USER MANUAL

S21 TranSport EZ Fold



transport
eZ FOLD



Electrically powered scooter Class A (EN 12184)



70030578R

HEARTWAY MEDICAL PRODUCTS CO., LTD. NO. 6, ROAD 25, TAICHUNG INDUSTRIAL PARK, TAICHUNG. TAIWAN R.O.C.408

Intend Use:

Moving of adult disabled persons by self driving. Maximum user weight: 115 kg;

Classified in Class A (EN12184) Maximum safe slope: 3° (Not intended for use outdoors)

The product is not intended for visually impaired people. The drivers need to mentally and physically suitable to drive the scooters. The fingers need to work functionally. The device can't be used by children until age of 12.

The driving distance will be reduced if the power scooter is used frequently on slopes, rough ground or to climb kerbs.

The scooter is not for use as a seat in motor vehicle.



All adjustments can be adjusted by both occupant and assistant

This vehicle is suitable for land and/or air transport.

Please refer to our official website for general product information at www.heartway.com.tw

Warning:



- ⇒ Don't operate your power scooter without completely reading and understanding this user manual!
 - ⇒ Do not operate the scooter with depleted batteries, since the occupant could be stranded.
 - ⇒ The end user is NOT allowed to change the parameter.
 - ⇒ **The occupant can switch off the key to stop the scooter for any emergency stop**
 - ⇒ **Please remove the battery package from the scooter unit before long term storage**
- S21 TRANSPORT EZ FOLD should be turned off prior to entering or exiting the seat. Make sure the scooter is fully un-foled before driving.**

Please refer to our official website for general product information at www.heartway.com.tw

Environmental conditions may affect the safety and performance of your power scooter. Water and extreme temperatures are the main elements that can cause damage and affect performance.

A) Rain, Sleet and Snow

If exposed to water, your power scooter is susceptible to damage to electronic or mechanical components. Water can cause electronic malfunction or promote premature corrosion of electrical components and frame.

B) Temperature

Some of the parts of the power scooter are susceptible to change in temperature. The controller can only operate in temperature that range between -25 C and +50 C.

At extreme low temperatures, the batteries may freeze, and your power scooter may not be able to operate. In extreme high temperatures, it may operate at slower speeds due to a safety feature of the controller that prevents damage to the motors and other electrical components.

S21

S/N : S21TMB1550001



Year of Production: 2015

Manufacture Address:

HEARTWAY – TAIWAN Heartway

Medical Products Co., Ltd.

Headquarter: NO.6 , ROAD 25 , TAICHUNG

INDUSTRIAL PARK, TAICHUNG, TAIWAN R.O.C.

Maximum User Weight: 115 Kgs

Indoor User Only , Class A

SAFETY INSTRUCTION

◆ General



Always use a seat belt, and keep your feet on the scooter all the time.



Never operate the scooter while you are under the influence of alcohol.



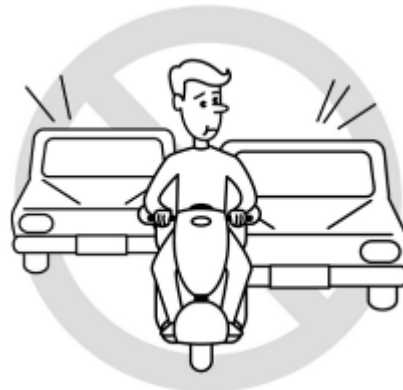
Never use electronic radio transmitters such as walkie-talkies, or cellular phones.







Make sure that there are no obstacles behind you while reserving your scooter.



Do not make a sharp turn or a sudden stop while riding your scooter.



Do not rider your scooter in traffic.

 <p>Do not attempt to climb curbs greater than limitation show on Technical Specification</p>	 <p>Do not leave your hands and legs off the scooter when driving.</p>
 <p>Do not rider your scooter during snow in order to avoid accident on slippery road.</p>	 <p>Do not allow unsupervised children to play near this equipment while the batteries are charging.</p>

◆ Warning – Don't operate your scooter for the first time without completely reading and understanding this user manual.

1. Don't operate scooter on public streets and roadways. Be aware that it may be difficult for traffic to see you when you are seated on the scooter. Obey all local pedestrian traffic rules. Wait until your path is clear of traffic, and then proceed with extreme cautions. To prevent injury to yourself or others, always ensure that the power is switched off when getting on or off of the scooter.
2. Always check that the drive wheels are engaged (drive mode) before driving. Do not switch off the power when the scooter is still moving forward. This will bring the scooter to an extremely abrupt stop.
3. Do not use this product or any available optional equipment without first completely reading and understanding these instructions. If you are unable to understand the warnings, cautions or instructions, contact a healthcare professional, the dealers or technical supports before attempting to use this equipment, otherwise, injury or damage may occur.
4. There are certain situations, including some medical conditions, where the scooter user will need to practice operating the scooter in the presence of a trained attendant. A trained attendant can be defined as a family member or care professional especially trained in assisting a scooter user in various daily living activities. Consult with your physician if you are taking any medication that may affect your ability to operate your scooter safely.
5. Do not attempt to lift or move a power scooter by any of its removable parts including the armrests, seats or shrouds. Personal injury and damage to the power scooter may result.
6. Never try to use your scooter beyond its limitations as described in this manual.
7. Please do not sit on your scooter while it is in a moving vehicle.

8. Keep your hands away from the wheels (tires) while driving scooters. Be aware that loose fitting clothing can become caught in the drive tires.
9. Consult your physician if you are taking prescribed medication or if you have any certain physical limitations. Some medications and limitations may impair your ability to operate scooters in a safe manner.
10. Be aware when the drive mode is unlocked or locked.
11. Don't remove anti-tipper if there is any-tipper equipped with the scooter.
12. Contact with tools can cause electrical shock and do not connect an extension cord to the AC/DC converter or the battery charger.
13. Do not attempt to lift or move your scooter by any of its removal parts, such as the armrests, seats, or shroud.
14. When climbing an incline, don't drive at an angle up the face of the incline. Drive your scooter straight up the incline. This greatly reduces the possibility of a tip or a fall.
15. Don't climb a slope steeper than the scooter's limitation.
16. Don't attempt to have your scooter proceed backward down any step, curb or other obstacle. This may cause the scooter to fall or tip.
17. Always reduce your speed and maintain a stable center of gravity when cornering sharply. Don't corner sharply when driving scooters at higher speeds.
18. Operating in rain, snow, salt, mist conditions and on icy or slippery surfaces may have an adverse affect on the electrical system.
19. Never sit on your scooter when it is being used in connection with any type of lift or elevation product. Your scooter is not designed with such use in mind and any damage or injury incurred from such use is not the responsibility of Heartway.
20. Surfaces of the power scooter that can come into direct contact with the occupant's skin and/or assistant's skin during normal use and that are within occupant reach shall not exceed 41 °C. The motor surface can reach temperatures greater than 41°C after driving. Do not touch these parts when disassembling the scooter or wait until the motor is cooled down.
21. The programming of the controller shall only be carried out by personnel, which is authorized by his manufacturer. A wrong programming can result in safety hazards for the occupant!
22. If the power scooter is switched off while driving on the horizontal at maximum speed at 7 km/h, it will come to a stop with the maximum stopping distance of 1.2 m. Please consider this distance when driving.
23. Drive-wheel needs to be switched to engaged-mode while transporting the power scooter with a car or airplane.
24. Surface temperatures can increase when exposed to external sources of heat.
25. Surfaces of the power scooter that can come into direct contact with the occupant's skin and/or assistant's skin during normal use and that are within occupant reach shall not exceed 41 °C. The motor surface can reach temperatures greater than 41°C after driving. Do not touch these parts when disassembling the scooter or wait until the motor is cooled down.
26. Please always turn off the power prior to entering or existing this scooter.
27. Do not operate this scoter if it is behaving abnormally or erratically.

◆ Modifications

Heartway Medical Product has designed and engineered power scooter to provide maximum utility. However, under no circumstances should you modify, add, remove, or disable any part or function of your power scooter. Personal injury and damage to the power scooter may result.

1. Do not modify your power scooter in any way not authorized by Heartway. Do not use accessories if they have not been tested or approved for Heartway products. Changing of controller parameter shall be only performed by authorized technicians due to the safety concern.
2. Get to know the feel of your power scooter and its capabilities. Heartway recommends that you perform a safety check before each use to make sure your power scooter operates safely.

◆ Inspections prior to using your power scooter:

1. If equipped with pneumatic tires, please check for proper tire inflations.
2. Please check all electrical connections and make sure they are tight and not corroded.
3. Please check all harness connections and make sure they are secured properly.
4. Please check the brakes.

◆ Weight limitation.

1. Please refer to the specifications table for weight capacity information. Power scooter is rated for a maximum weight capacity.
2. Stay within the specified weight capacity for your scooter. Exceeding the weight capacity voids your warranty. Heartway will not be held responsible for injuries or property damage resulting from failure to observe weight limitations.
3. Don't carry passengers on scooters.
4. Carrying passengers on scooter may affect the center of gravity, resulting in a tip or a fall.

◆ Tire inflation

1. If your scooter is equipped with pneumatic tires, it is necessary to check the air pressure at least one time a week.
2. Proper inflation pressures will prolong the life your tires and ensure the smooth operation while riding.
3. Do not under-inflate or over-inflate your tires. It is critically important that 30-25 psi (2-2.4bar) tire pressure be maintained in pneumatic tires at all times.
4. Inflating your tires from an unregulated air source could over-inflate them, resulting in a burs tire.

◆ Temperature

1. Some of the parts of the power scooter are susceptible to change in temperature. The controller can only operate in temperature that ranges between $-25^{\circ}\text{C} \sim 50^{\circ}\text{C}$.
2. At extreme low temperatures, the batteries may freeze, and your power scooter may not be able to operate. In extreme high temperatures, it may operate at slower speeds due to a safety feature of the controller that prevents damage to the motors and other electrical components.

ELECTROMAGNETIC INTERFERENCE (EMI)

The rapid development of electronics, especially in the area of communications, has saturated our environment with electromagnetic (EM) radio waves that are emitted by television, radio and communication signals. These EM wave are invisible and their strength increases as one approach the source. All electrical conductors act as antennas to the EM signals and, to varying degrees, all power scooters and scooters are susceptible to electromagnetic interference (EMI). The interference could result in abnormal, unintentional movement and/or erratic control of the vehicle. The United States Food and drug Administration (FDA) suggests that the following statement be incorporated to the user's manual for all power scooter like the **S21 TRANSPORT EZ FOLD**. Power scooters may as susceptible to electromagnetic interference (EMI), which is interfering electromagnetic energy emitted from sources such as radio stations, TV stations, amateur radio (HAN) transmitter, two-way radios, cellular phones and alarm systems of shops. The interference (from radio wave sources) can cause the power scooter to release its brakes, move by itself or move in unintended directions. It can also permanently damage the powered scooter's control system. The intensity of the EM energy can be measured in volts per meter (V/m). Each powered scooter can resist EMI up to a certain intensity. This is called "immunity level". The higher the immunity level the greater the protection. At this time, current technology is capable of providing at least 20 V/m of immunity level, which would provide useful protection against common sources of radiated EMI.

Following the warnings listed below should reduce the chance of unintended brake release or powered scooter movement that could result in serious injury:

1. Do not turn on hand-held personal communication devices such as citizens band (CB) radios and cellular phones while the powered scooter is turned on.
2. Be aware of nearby transmitters such as radio or TV stations and try to avoid coming close to them.
3. If unintended movement or brake release occurs, turn the powered scooter off as soon as it is safe.
4. Be aware that adding accessories or components, or modifying the powered scooter, may make it more susceptible to interference from radio wave sources (Note: It is difficult to evaluate the effect on the overall immunity of the powered scooter).
5. Report all incidents of unintended movement or brake release to the powered scooter manufacturer, and note whether there is a radio wave source nearby.

TURN OFF YOUR POWERED SCOOTER AS SOON AS POSSIBLE WHEN EXPERIENCING THE FOLLOWING:

- Unintentional scooter movements
- Unintended or uncontrollable direction.
- Unexpected brake release

The FDA has written to the manufacturers of power scooters asking them to test new products to be sure they provide a reasonable degree of immunity against EMI. The FDA requires that a powered scooter should have an immunity level at least 20 V/m, which provides a reasonable degree of protection against more common sources of EMI. The higher the immunity level the greater the protection. Your powered scooter has an immunity level of 20 V/m which should protect against common sources of EMI.

WARNING

Warning:

- ⇒ The scooter itself can disturb the performance of the electromagnetic fields such as emitted by alarm systems of shops.
- ⇒ The driving performance of the scooter can be influenced by electro magnetic fields

PRODUCT SPECIFICATION

MODEL	S21 TRANSPORT EZ FOLD
WEIGHT CAPACITY	115 Kg
SEAT: TYPE/SIZE	16" PE Seat
DRIVE WHEEL	200mmx50mm(8"x2") –PU Tire
FRONT CASTER (WHEEL)	180mmx40mm(7"x1.6") –PU Tire
REAR CASTER (ANTI-TIPPER)	YES
MAX SPEED	6 KM/H
BATTERY SPECIFICATIONS	11.5 AH Lithium Battery (24 Voltage)
BATTERY RANGE	15 KM
CHARGER TYPE	2Amp,110/240 Volt,Li-ION Charger
CONTROLLER TYPE	Dynamic 50 Amp
MOTOR TYPE	180W
WEIGHT: W/ BATTERY	19 Kg
WEIGHT: W/O BATTERY	17.5 Kg
TURNING RADIUS	780mm
SUSPENSION	none
LENGTH	860mm
WIDTH	420mm
HEIGHT	835mm
Folded Size	730mm*440mm*420mm
SEAT WIDTH	400mm
SEAT HEIGHT	380mm
SEAT DEPTH	320mm
BACK HEIGHT	Option
WHEEL BASE	630mm
GROUND CLEARANCE	35mm
Dynamic stability	3 Degree
Static stability	6 Degree
Kerb	15 mm
FOOTRESTS	370mm

Maximum occupant mass: 115 kg

S21 TRANSPORT EZ FOLD seat is tested according to EN 1021 regarding resistance to ignition, but it is recommended to avoid the use of flame near the power scooter and of smoking during sitting on the power scooter.

Remarks:

The stability tests were performed in the least stable positions of the seat (height and front/rear position).

The distance will be reduced if the wheelchair is used frequently on slopes, rough ground or to climb the kerbs.



The stopping distance on the slope can be significantly greater than on the level ground.

ADJUSTMENT

It is very easy to assemble your S21 TRANSPORT EZ FOLD scooter. Please follow the procedure below. S21 TRANSPORT EZ FOLD power scooter has aluminum alloy body and can be easily folded to fit in the car for transportation. It also has easy to use controls and adjustable tiller positioning.

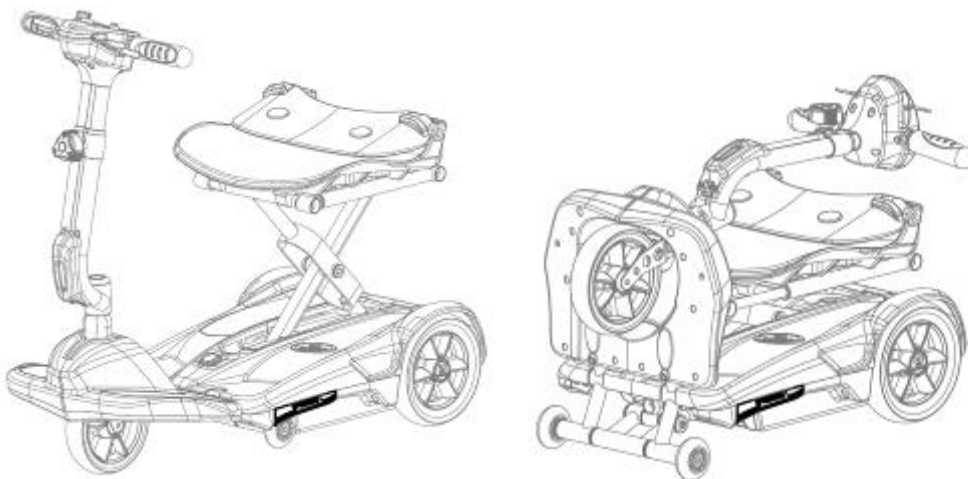
- ⇒ Distinctive stylish lightweight scooter.
- ⇒ Easy to use controls.
- ⇒ Adjustable tiller positioning.
- ⇒ Easy to remove the battery pack.
- ⇒ Dismantles for transporting in a car.

See the Following Four Steps to Fold the Scooter

The following operation can be carried out either by assistant or occupant

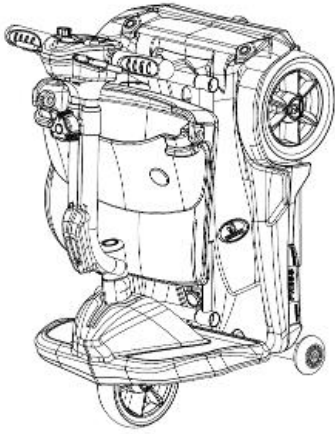


Fold the back rest properly



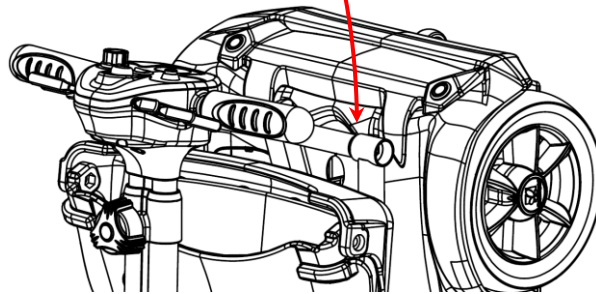
Step on the side board to fold the scooter

Pull down the tiller to fold the scooter. Push the tiller softly until the tiller locks.



The safety bar can be gripped for safe moving.
 Warning! The steering wheel
 CANNOT be gripped for safe moving

Completed



⚠ WARNING

- ⇒ PLEASE TURN OFF THE POWER BEFORE FOLDING/UNFOLDING POWER SCOOTER
- ⇒ Pinch Point—Be aware of fingers when folding and un-folding power scooter



- ⇒ Two persons are needed to lift this power scooter –S21 TRANSPORT EZ FOLD
- ⇒ Never open the battery box. If you have any question, please contact your local authorized dealer or technical supports for further support and assistance.
- ⇒ PLEASE TURN OFF THE POWER BEFORE FOLDING/UNFOLDING POWER SCOOTER
- ⇒ The power scooter needs to be folded properly before any transporting.

Storage

- Your power scooter should be stored in a dry place, free from temperature extremes. When storing, disconnect the batteries from the power scooter. If you fail to store the unit properly, the frame can rust and the electronics can be damaged.
- **Please remove the battery package from the scooter unit before long term storage**
- Batteries that are regularly and deeply discharged, infrequently charged, stored in extreme temperatures, or stored without a full charge may be permanently damaged, causing unreliable performance and limited service life. It is recommended that you charge the batteries periodically throughout periods of prolonged storage to ensure proper performance. You may wish to place several boards under the frame of your power scooter to raise it off of the ground during periods of prolonged storage.

If you plan on not using your power scooter for an extended period of time, it is best to:

- ⇒ Fully charge its batteries prior to storage.
- ⇒ Disconnect the batteries from the scooter.
- ⇒ Store your power scooter in a warm, dry environment.
- ⇒ Avoid storing your power scooter where it will be exposed to temperature extremes.
- ⇒ Operating conditions (-25 °C ~ +50 °C) and Storage conditions (-40. °C ~ +65°C)
- ⇒ Make sure the batteries are fully charged before use after long-term storage

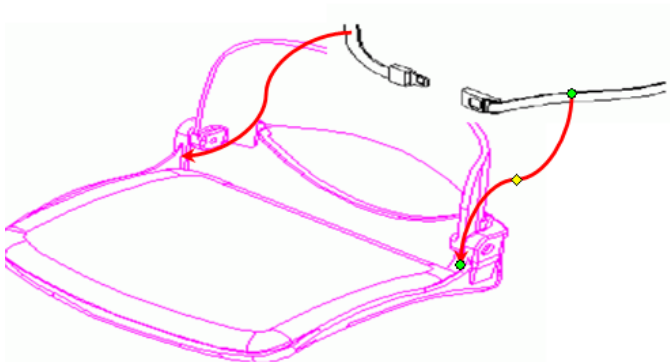
Batteries that are regularly and deeply discharged, infrequently charged, stored in extreme temperatures, or stored without a full charge may be permanently damaged, causing unreliable performance and limited service life. It is recommended that you charge the power scooter batteries periodically throughout periods of prolonged storage to ensure proper performance.

Seat Belt

Seat belt is regarded as optional accessory for S21 TRANSPORT EZ FOLD power scooter

Seat belt can be installed onto the seat (see photo below)

Please consult with the local authorized dealer for safety belt installation



OPERATION OF CONTROL PANEL

The power scooter is simple to operate. However, we recommend that you read carefully the following instructions to become familiarized with your new vehicle. Please do not operate this power scooter if it is behaving abnormally or erratically. The following operation can be carried out either by assistant or occupant

A Word of Caution:

Before you turn the power on, always be aware of the environment that surrounds you to select your desired speed. For indoor environments we recommend that you select the slowest speed setting. For outdoor operation of this vehicle we recommend that you select a speed that is comfortable for you to control it safely. The following steps are required to operate your vehicle safely with the controller.

Button functions



1. **Battery Indicator:** When your scooter is switched on, the needle on the meter will move across the scale from the left 'red' sector towards the 'green' sector, indicating the state of charge in your batteries. As the power is used up in your batteries, the needle will slowly towards the 'red' sector indicating the state of charge at that precise time. When the needle is fully over to the right, the batteries are fully charged. When the needle falls towards the red sector, your batteries are losing power, but you will still have power to spare. When the needle falls into the red sector, your batteries are low in power and need to be recharged. It is wise to recharge your batteries when the needle enters the red zone (see Batteries and Battery Charging section of this manual).
2. **High/Low Speed Adjustment:** This allows you to pre-select your desired speed. The adjuster is proportional to speed and can be set anywhere between minimum and maximum. Turn the adjuster knob counter-clockwise to minimum for a very gentle operation, and clockwise towards maximum to increase your speed.
3. **Power ON/OFF Light:** The light will turn on if you insert the key. The light will turn off if you take out the key.
4. **Horn button:** Press this button to sound the horn.(Easy operation for left hand or right hand)

Driving:

A) Controller ON/OFF Switch

Insert the key to power on the scooter (Remove the key to power off). Swing the finger lever control forward or backward to control the driving direction of the scooter (The finger lever control is located at both sides of the controller and the returning of the finger lever control to its neutral position,(center), will reduce the speed and stop the vehicle by automatically applying the electro-magnetic brakes.



Finger Lever Control/Maximum
Force Applied on Lever is 4N

B) Speed Control

Turn the adjuster knob clockwise towards maximum to increase your speed, and counter-clockwise toward minimum to slow down your speed.

C) Finger Lever Control

The finger lever control can also control the speed of your vehicle. The deeper you press on the finger lever (forward / backward), the faster the vehicle will go.

Notes:

- ⇒ After inserting the key into controller ON/OFF port, the light of power ON/OFF will turn on for a few seconds during self-checking process.
- ⇒ When the vehicle is in operation, the surface of the charger will become slightly warm.
- ⇒ In case of emergency, let go of the finger lever control and the vehicle will come to a stop.
- ⇒ **DO NOT touch the rear shroud while driving. It may be hot.**

Control Panel Display

1. The control panel display is a multifunction visual display. It can provide a lot of information of the vehicle. When the needle falls into the red sector, your batteries are low on power and need to be recharged. It is wise to recharge your batteries when the needle enters the red zone. The remaining battery needle only goes lower when using the battery, regardless the battery voltage. The remaining battery meter needle goes higher only when recharging battery in progress.
2. System will power off when the battery voltage is lower than 21.0V.
3. System will be automatically power-off when the vehicle is not in use over 30 minutes. You need to remove the key and insert the key to restart the scooter.

Free-Wheeling:

1. The motors are designed to engage the electromagnetic brakes when the vehicle is not in use or when the power is OFF. They also have a manual feature that allows them to “free-wheel” so the scooter can be moved without turning it on. Free-wheeling is accomplished by adjusting the free-wheeling switch to the free-wheeling position.
2. Engaging in freewheel mode will have the function as parking brake.

⚠ WARNING

- ⇒ Never free-wheel your power scooter on a slope.
- ⇒ Never free-wheel the motors while operating your vehicle.
- ⇒ Always remember to engage the motors before turning the power ON.
- ⇒ PLEASE TURN OFF THE POWER BEFORE FOLDING/UNFOLDING POWER SCOOTER



Electromagnetic Brakes:

Your power scooter comes with Electromagnetic Brakes, i.e. an automatic magnetic disc safety brake which is also known as Fail-Safe brake. The electro-magnetic Brakes are automatic and work when the power scooter is ON but in a steady state (i.e. Wigwag is released to the neutral position), even when the scooter is on a slope. The Electromagnetic Brakes will also be set whenever the power scooter is OFF, but the motor levers are in the engaged (vertical) position.

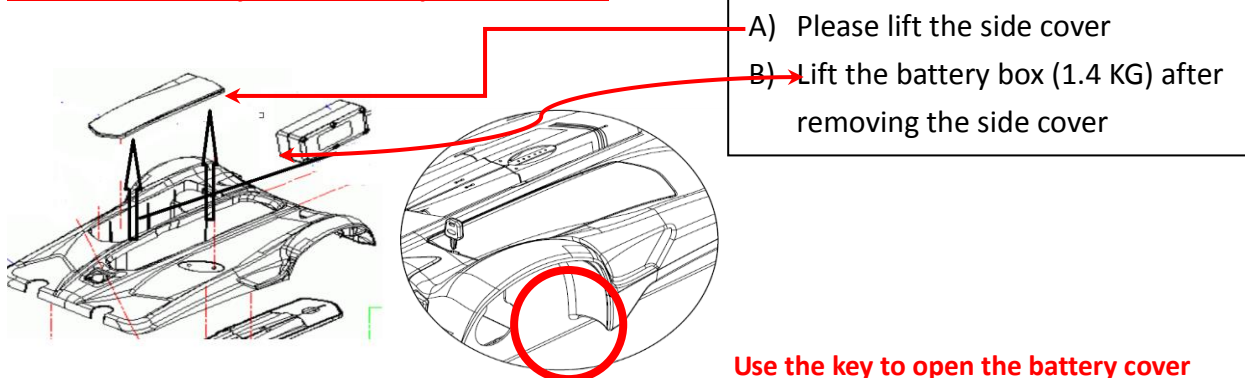
Parking brake:

There is an automatic parking brake function included in the electromagnetic brake. The scooter will stop when the motor is engaged and the power switch is off or when the power switch is on and the wigwag is in the neutral position. If the scooter is in the free wheel mode (motor is disengaged), you can use the manual parking brake function by moving the engaging/disengaging lever back into the engaged position by an attendant.

Thermal Protection:

Your power scooter controller is equipped with a safety system called thermal rollback. A built-in circuit monitors the temperature of the controller and motor. In case of excessive heat of the controller and motor, the controller will cut-off the power to allow the electrical components to cool down. Although your power scooter will resume its normal speed when the temperature returns to a safe level, we recommend to wait for 5 minutes before restarting to allow the components to cool down.

Remove the battery box from the power scooter



Make sure the battery connectors are connected properly after you install the batteries into the power scooter

BATTERY & CHARGING INTRUCTION

We recommend that you use deep-cycle batteries that are sealed and maintenance free for your power scooter.

Item	Specification	Descriptions	Remark
1	Article Number	HT-01B	
2	Material	CGR 18650PD	
3	PCM	7S-11A	
4	Configuration	7S4P	
5	Pack Nominal Capacity	11.52Ah	
6	Pack Nominal Voltage	25.2V	
7	Charge Max Volatage(V)	29.4V	
8	Charge Current	< 6A	
9	Discharge Max Current	< 30A	
10	Operating Current	12A	
	IR(mΩ)	< 100mΩ	
11	Thermistor	Charge Mode	0 ~ +45°C
		Discharge Mode	-20 ~ +60°C
12	Depletion Circuit	Inde Mode	< 600uA
		Sleep Mode	< 100μA
13	Circuit Fuse	Charge	7.5A
		Discharge	30A
14	Connector	Charge	3PIN 麥克風充電座
		Discharge	3PIN 公接頭(上勝)
15	Charge Over Voltage	4.3V ± 0.02V/CELL	
16	Under Voltage	3V ± 0.02V/CELL	
17	Short Protect	OUT(+).(-) External release	
18	Weight	2± 0.5Kgs	

Depending on the use, terrain and driving conditions, the batteries will provide a range of 15 KM of travel. However, even if the power scooter is not in use, we recommend that the batteries are charged periodically.
 Note: Do not use any automotive batteries. They are not designed to handle a long, deep discharge and also are unsafe for use in power scooter. The useful life of a battery is quite often a reflection of the care it receives.

WARNING

- ⇒ DO NOT operate this scooter with depleted batteries since the occupant could be stranded
- ⇒ Please remove the battery package from the scooter unit before long term storage

CHARGING INTRUCTIONS

BATTERY CHARGER

The battery charger takes the standard wall outlet voltage (alternating current) and converts it into DC voltage (direct current).The batteries use direct current to run your power scooter. When the batteries are fully charged, the amperage from the charger is almost at zero. This is how the charger maintains a charge but does not overcharge the battery.

Note 1: The batteries cannot be charged if they were discharged to nearly zero voltage.

Note 2: The power scooter meet the requirement of ISO 7176-14:2008 and ISO 7176-21:2003.

Note 3: Only use the battery charger type which was provided by the supplier. The use of any different type of charger can be hazardous and need the approval of the manufacturer.

Description

NL07-25HT is a smart charger specially designed for Li-ion battery pack composed 7cells in series.

Electrical Specifications:

1. Input : 100~240VAC, 50/60 Hz Output: 29.4V± 0.2V 2.5Adc ± 10%
2. Charger output : The charger is preset by factory for charging 7 cells Li-ion battery pack. Its charging mode:
 - (1) Constant current (CC) mode: at beginning of charging, an 2.5Adc±10% (I(ave)) constant charging current to charge the pack until the pack voltage reaches to 29.4V± 0.2V.
 - (2) Constant Voltage (CV) mode: the output will keep 29.4V±0.2V constant through the end of charging.
 - (3) Pre-charge state: When battery voltage is lower than 21V±1V, will start the pre-charge first. The charge current is 20% of CC charge current: 0.5Adc ± 10%.
 - (4) Re-charge state: When fully-charged battery voltage drops lower than 28.3V± 0.5V,the charger will start a new charge cycle.

This is charger port



3. The indicator signal chart:

Indicator Signal	POWER (bi-color LED)	STATUS (dual color LED)
*Stand-by *End of charge	Constant RED	Constant GREEN
*Pre-charge state *Charge state	ON	Constant RED
*Over current *Over voltage *Over temperature	ON	Flash between RED and GREEN every second
*Zero voltage pre-charge state *Short circuit	ON	Flash between RED and GREEN.RED:16ms;GREEN:496ms

Mechanical Specification

1. Dimension: 167*74*37 mm.
2. Weight: 490g approx.
3. Charger output: 3-pin connector. (Pin 1-Positive ; Pin 2- Negative ; Pin 3- XXX)
4. AC socket: Standard 2-p oblong
5. AC cable: National wall plug type upon request.

Operation procedures:

1. Attention! Connect charger first to AC power ***before*** connecting the battery to the charger. Plug into AC mains the “power on” indicator will be on and the “Status” indicator will be GREEN, then connecting the battery pack to charger.
2. If short circuit at output is found, the “Status” indicator will flash between RED (16ms) and GREEN (496ms).The flash will be there until the system is reset and the short part is removed.
3. During charging, the “Status” indicator turns on RED. When full, it turns on GREEN
4. To avoid the case of failed battery pack, when the charger stays in pre-charge stage longer than 5 hours, it will stop charging and the “Status” indicator will be pulsed with a one second to indicate pre-charge error.
5. During charging, user can remove the battery from charger any time as he/she wants. Users also could start to charge the battery at any time. The charger is able to determine the best cut-in point where the charging process is starting to.
6. In case of problems, please check battery pack and repeat above steps. If problem persist, please contact manufacturer for assistance.

Check before Proceeding:

1. Make sure battery pack is compatible with NL07 before connecting.
2. The 4-pin connector of the output cable is pre-set at the factory. Do not swap their connections which may cause serious hazards.
3. NL07 charger is designed for use only with lithium battery packs and is not recommended for use with other battery packs.
4. NL07 is a precise tool and should be kept away from high power EMI radiating devices.

⚠ WARNING

- ✧ Always charge your batteries in well ventilated areas.
- ✧ The charger is intended for indoor use only. Please protect it from the moisture.
- ✧ For maximum performance, it is recommended that you replace both batteries at the same time if the batteries are weak.
- ✧ If the power scooter will not be used for a long period of time, arrange to have the batteries recharge at least once every month to avoid deterioration of the batteries.
- ✧ Can we use a different charger? Please understand that chargers are selected specifically for particular applications and matched to the type and size of specific batteries. In order to charge your power scooter safely and efficiently, we recommend use of the charger supplied as original equipment with your Heartway product only. Any charging method resulting in batteries being charged individually is prohibited.

Note:

- Always charge your batteries in well ventilated areas.
- The charger is intended for indoor use only. Protect from moisture.
- For maximum performance , it is recommended that you replace both batteries at the same time if the batteries are weak.
- If the scooter will not be used for a long period of time, arrange to have the batteries fully charge for at least once every month.

According to the battery type and condition of the batteries, batteries usually can be fully charged in 4-10 hours. This will be indicated when the status light in the battery charger side panel turns green. Charging the battery longer than necessary will not harm the battery. We recommended that you charge the batteries for 8 to 10 hours after daily use. Do not charge the batteries for more than 24 hours. Note: There is a battery circuit diagram labeled on the frame. Please refer this diagram before you assemble the battery.

BATTERY MAINTENANCE INSTRUCTION

- Read through the charger operating instruction before using it.
- Make sure you charge the battery every time after you use the power scooter or scooter.
- If the charger indicates red light, please kindly check if the charger is defected or if the cable wiring connection is poor.
- Please keep the battery terminals clean otherwise the charging condition will be poor.

Caution

Caution on usage of Lithium Ion pack. (or soft pack)

Handling at assembly

- 1) In case of adding strong shock to battery or dropping battery, do not use the battery.
- 2) In case of distorting battery, do not use the battery.
- 3) To prevent from ESD under appropriate work environment and by workers.

Storage

- 1) It shall be kept in shipping condition (within 40%~60% SOC or 25V~26V voltage range) for long period.
- 2) It is recommended to inspect the battery pack every 6 month to ensure battery pack is at the best status for long term storage. If battery pack is out of the storage condition, specified in 1), it shall be charged or discharged to the recommended storage condition.
- 3) It shall be kept in dry condition of low humidity, especially be free from high temperature.
- 4) Do not storage the battery near heat sources, nor in a place subject to direct sunlight to storage in warehouse.

5. Prohibition Clause

- 1) Do not throw the battery into fire, nor heat the battery.
- 2) Do not disassemble nor modify the battery Pack.
- 3) Do not leave the battery in a place of high temperature.(60°C or more)
- 4) Do not immerse battery in water, nor leaving in high moisture.
- 5) Do not add strong shock, nor drop the battery.
- 6) Do not solder lead directly to the battery body.
- 7) Do not heat nor solder the terminals of the battery.

MAINTENANCE & REPAIR

Your power scooter is designed for minimal maintenance. However, like any motorized vehicle it requires routine maintenance. To keep your S21 TRANSPORT EZ FOLD for years of trouble-free operation, we recommend you follow the following maintenance checks as scheduled.

DAILY CHECKS

1. Visual check on the conditions of tires.
2. Inspect the battery condition meter on the controller to determine if batteries need to be charged.

MONTHLY CHECKS

1. Visually inspect the controller harnesses. Make sure that they are not frayed, cut or have any exposed wires.

SEMI-ANNUAL CHECKS

1. Check the motor brushes. We recommended that your authorized dealer inspect the brushes every six months or sooner if your power scooter is not operating smoothly. If inspection determines excessive wear on the brushes, they must be replaced or motor damage will result.

Disposal of Your Power Scooter

Your power scooter must be disposed of according to applicable local and national statutory regulations. Contact your local waste disposal agency or authorized dealer for information on proper disposal of power scooter packaging, metal frame components, plastic components, electronics, batteries, neoprene, silicone, and polyurethane materials.

CHECKS:

- Make sure to keep the controller clean while protecting it from rain or water. Never hose off your power scooter or place it in direct contact with water.
- Keep wheels free from lint, hair, sand and carpet fibers.
- Visually inspect the tire tread. If less than 1mm (1/32"), please have your tires replaced by your local dealer.
- All upholstery can be washed with warm water and mild soap. Occasionally check the seat and back for sagging, cuts and tears. Replace if necessary. Do not store your scooter in damp or humid conditions as this will lead to mildew and rapid deterioration of the upholstery parts.
- All moving mechanism will benefit from simple lubrication and inspection. Lubricate using petroleum jelly or light oil. Do not use too much oil, otherwise small drips could stain and damage carpets and furnishings etc. Always perform a general inspection of the tightness of all nuts and bolts.

Cleaning and Disinfection

- Use a damp cloth and mild, non-abrasive cleanser to clean the plastic and metal parts of your power scooter. Avoid using products that may scratch the surface of your power scooter.
- If necessary, clean your product with an approved disinfectant. Make sure the disinfectant is safe for use on your product before application. Follow all safety instructions for the proper use of the disinfectant and/or cleaning agent before applying it to your product. Failure to comply may result in skin irritation or premature deterioration of upholstery and/or power scooter finishes.

TROUBLESHOOTING & FAULT REPAIR

Dynamic 50 AMP CONTROLLER: Your power wheelchair is fitted with DYNAMIC controller, which continuously monitors the operating conditions of your power wheelchair. If it detects a problem it will indicate with error message by flashing light on the power ON/ OFF light. You must count the number of the flash, and see the list to check what kind of error has happened according to the number)

If, when powered up, there is an error with the system, then the status indicator will flash red. The number of flashes will indicate the type of error. These are described in the table below.

Flash code	Error description
1	Remote / joystick error
2	Network or configuration error
3	Left motor error
4	Right motor error
5	Left park brake error
6	Right park brake error
7	Module error (other than Remote)

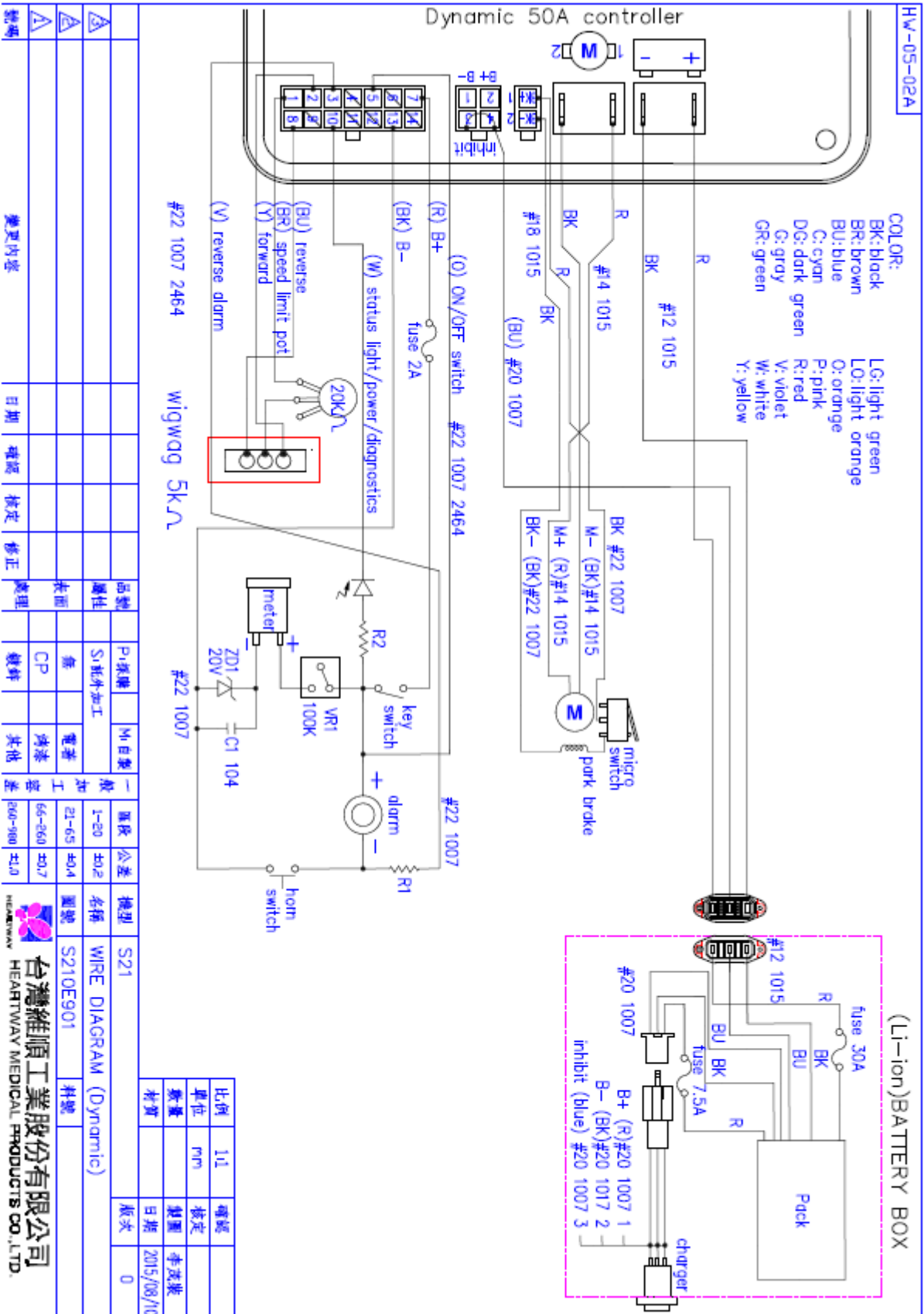
Note:

If you experience any technical problems, it is recommended that you check with your local dealer before attempting to troubleshoot on your own.

The following symptoms could indicate a serious problem with your power wheelchair. Contact your local dealer if any of the following arises:

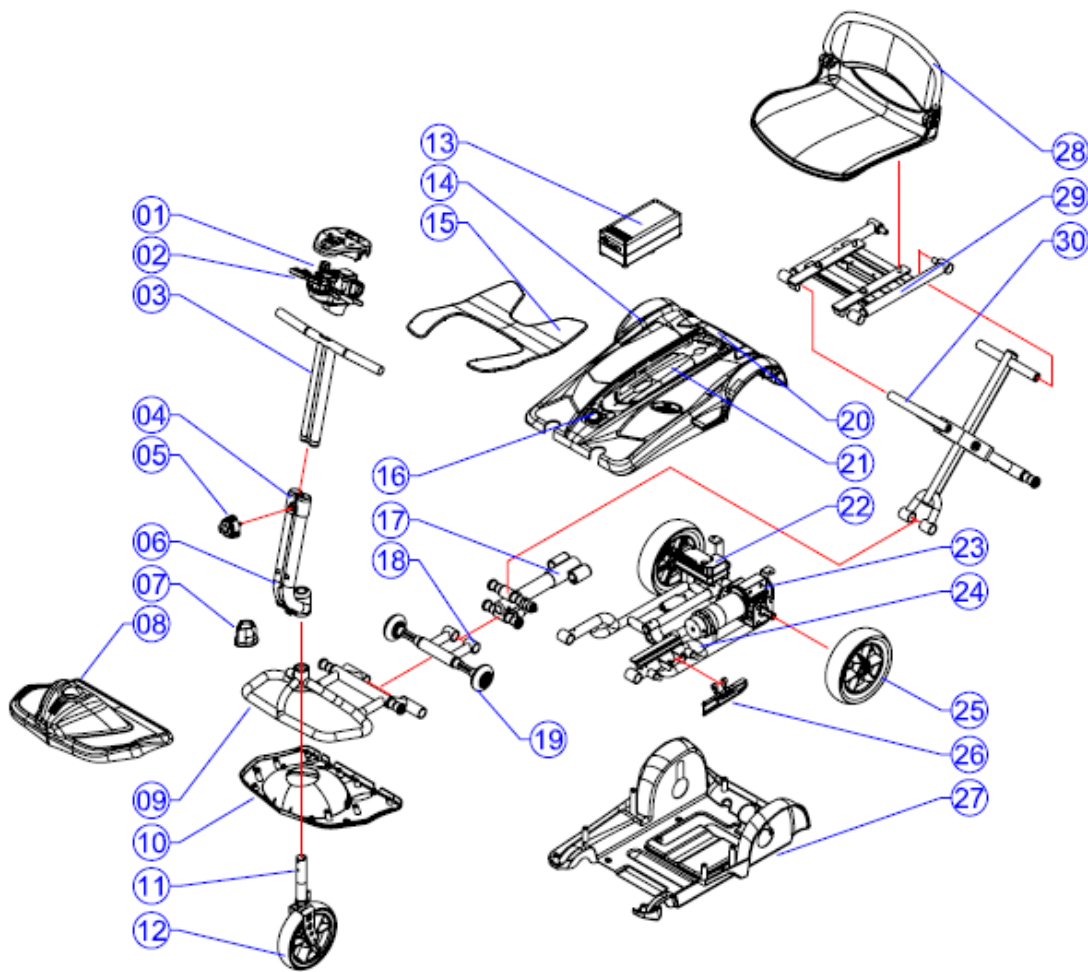
1. Motor noise
2. Frayed harnesses
3. Cracked or broken connectors
4. Uneven wear on any of tires
5. Jerky motion
6. Pulling to one side
7. Bent or broken wheel assemblies
8. Does not power up
9. Powers up, but does not move

CIRCUIT DIAGRAM



BOM LIST DRAWING

- | | | |
|------------------------------|---------------------|---------------------|
| ① POTENTIONMETER COMBINATION | ⑪ STEM ASM | ⑳ RUBBER DUST COVER |
| ② WIGWAG | ⑫ FRONT WHEEL | ㉑ CONTROLLER |
| ③ HANDLE BAR | ⑬ BATTERY | ㉒ MOTOR |
| ④ PLUG OF STEM | ⑭ MAIN COVER | ㉓ MAIN FRAME |
| ⑤ LOCKING KNOB | ⑮ CARPET | ㉔ DRIVE WHEEL |
| ⑥ STEM | ⑯ CHARGE PORT | ㉕ RELEASE BAR |
| ⑦ RUBBER DUST COVER | ⑰ SUPPORT ASM | ㉖ PROTECT COVER |
| ⑧ FRONT COVER | ⑱ CONNECTED BAR ASM | ㉗ CHAIR |
| ⑨ FRONT FRAME | ㉚ ASSISTIVE WHEEL | ㉘ SEAT FRAME ASM |
| ⑩ BOTTOM COVER | ㉛ REAR COVER | ㉙ CROSS BAR ASM |



S21

PRODUCT WARRANTY

THREE-YEAR LIMITED WARRANTY

Three (3) years from the date of purchase on all structural frame components; including platform, seat post, and frame.

ONE-YEAR LIMITED WARRANTY

One (1) year from the date of purchase, if any part or electronic component of the Scooter is found upon examination to be defective in material and/or workmanship, it will be repaired or replaced, at EV Rider, LLC's option, without charge. **Labor charges are NOT included.** The purchaser is responsible for the delivery to the authorized repair facility. Satisfactory proof of purchase, serial number and the date of purchase are always required. For warranty service, contact EV Rider for the location of your nearest authorized dealer.

SHIPPING -DOMESTIC: All warranty items will be shipped via Fedex Ground. Requested expedited shipping will be at the expense of the purchaser.

SHIPPING -INTERNATIONAL: Parts will be provided under warranty at no charge, but shipping to any offshore and/or international location will be the responsibility of the purchaser. International and offshore end-users must contact the dealer/distributor directly to initiate the warranty process.

ONE-YEAR WARRANTY EXCEPTIONS Motor: In cases where there is an increase in the operational noise level, the warranty does not apply. (An increase in operational noise level usually occurs due to abusive and excessive strain on the scooter).

The batteries are warranted by EV Rider for one year after the purchase of the Unit with the exception of the Stand-N-Ride scooter.

Service: Warranty service can be performed by EV Rider, LLC or by an authorized EV Rider, LLC service facility. **Do not return faulty parts to EV Rider, LLC without prior consent.** A request for a Return Authorization is required prior to returning items. All transportation costs and shipping damage incurred while submitting units and/or parts for repair or replacement are the responsibility of the original purchaser.

WARRANTY EXCLUSIONS: This warranty is only given to the original purchaser of the Scooter. This Warranty excludes:

- Batteries that are provided free with the scooter. See the EV Rider invoice/packing slip for additional detail.
- Consumable items which may need replacing due to normal wear and tear (tires, tubes, belts, bulbs, upholstery and seating, motor brushes, fuses, plastic shrouds and footrest covers, etc.)
- Damages caused by: battery fluid spillage or leakage, abuse, misuse, accident, or negligence, improper operation, excessive loading, maintenance, or storage, commercial use or use other than normal.
- Used other than for the purpose of the purchaser's mobility.
- Repairs and/or modifications made to any part of the scooter without specific and prior consent from EV Rider, LLC.
- Labor, service calls, shipping, and other charges incurred for repair of the product not approved by EV Rider, LLC.

Batteries: Batteries carry a limited warranty which is subject to a stringent wear and tear clause. Any battery faults due to a defect in the original manufacture will normally become obvious within the first two months of use. Any gradual deterioration in performance after this period is normally associated with fair wear and tear, misuse or accidental damage and as such is not covered by the manufacturer's warranty. There is no other express warranty.

Implied warranties, including those of merchantability and fitness for a particular purpose, are limited to one (1) year from the date of the original purchase and to the extent permitted by law. Any and all implied warranties are excluded. This is the exclusive remedy. Liabilities for consequential damages under any and all warranties are excluded.

Some states do not allow limitations on how long an implied warranty lasts or do not allow the exclusion of limitation of incidental or consequential damages. So, the above limitation or exclusion may not apply to you.

EV Rider, LLC // www.evriider.com
800-944-1997

Part I. General wheelchair test

I-1 Information disclosure in manufacturer's specification sheets

Type: S21 TRANSPORT EZ FOLD
Maximum occupant mass: 115 kg

Manufacturer: Heartway

Disclosure information (ISO 7176-15:1996)						
	min.	max.			min.	max.
Overall length with legrest	--	860 mm		Seat plane angle	--	11°
Overall width	--	700 mm		Effective seat depth	--	410 mm
Folded length	--	--		Effective seat width	--	370 mm
Folded width	--	--		Seat surface height at front edge	--	485 mm
Folded height	--	615 mm		Backrest angle	--	4°
Total mass	--	13.5 kg		Backrest height	--	365 mm
Mass of the heaviest part	--	1.6 kg		Footrest to seat distance	--	430 mm
Static stability downhill	--	10.0°		Leg to seat angle	--	0°
Static stability uphill	--	8.0°		Armrest to seat distance	--	--
Static stability sideways	--	10.0 °		Front location of armrest structure	--	--
Energy consumption	--	--		Handrim diameter	--	527mm
Dynamic stability uphill	--	--		Horizontal location of axle	mm	-10mm
Obstacle climbing	--	15 mm		Minimum turning radius	850 mm	
Maximum speed forward	--	--		Minimum turn-around Width	850 mm	
Minimum horizontal braking distance from max speed	--	--				