

HANDY LIFT LT OWNERS MANUAL

Installation and Operating Instructions - Service and Parts Information

BURR 300 lb. Capacity Handy Lift LT

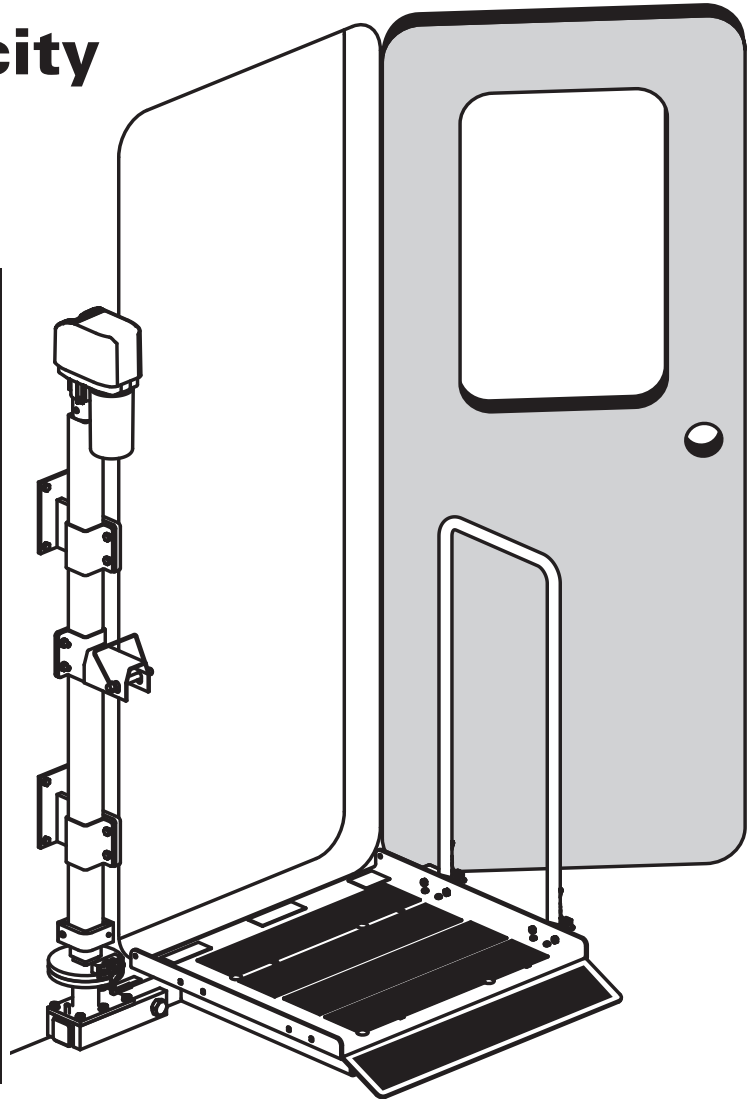
PN 33170 (40") PN 33171 (45")
PN 33172 (50")

WARNING

Avoid serious injury, or death, to yourself and others. Follow these instructions:

- Read and understand OWNER'S MANUAL before using Handy Lift.
- RV must be safely parked, on a flat level surface, when using HANDY LIFT.
- Keep body, hands, and feet away from shearing / squeezing points.
- When Handy Lift is not in use platform must be folded, raised all the way up, and latched.
- One rider at a time on platform.
- Handy Lift is intended to assist a "standing" person (holding on to the handrail) into the door opening of a Recreational Vehicle. UNDER NO CIRCUMSTANCES should a person attempt to use this lift while "seated" on a scooter or any type of wheelchair!
- DO NOT OVERLOAD PLATFORM.

32725



IMPORTANT: HANDY LIFT MUST BE INSTALLED BY A REPUTABLE INSTALLER. HANDY LIFT MUST BE LEVEL SIDE TO SIDE. RV MUST BE IN GOOD REPAIR. WORN OR DAMAGED RV PARTS MUST BE REPAIRED OR REPLACED BEFORE INSTALLATION.

CONTENT CARTON

Part No.	QTY	Description	Part No.	QTY	Description
33211	1	Hardware Package	32787	1	Platform Assembly
22880	2	Post Bracket Assembly	33169	1	Travel Bracket
33174	1	40" Post Assembly (45" 33175) (50" 33176)	33106	1	Handrail
32745	1	Power Head Assembly			

TOOLS NEEDED

- Screw Drivers (Phillips and Flat Head)
- Electric Drill
- 1/4, 3/8, 1/2, 5/8, and 3/4" Socket Wrench
- Wire Strippers and Crimper
- 3/8" Drill Bit
- 5/32 Hex Wrench



HANDY LIFT LT OWNERS MANUAL

! WARNING

READ AND UNDERSTAND INSTRUCTIONS
VEHICLE MUST BE IN SAFE PARKED CONDITION

IGNITION SWITCH MUST BE IN "LOCK" POSITION
REMOVE JEWELRY (WATCHES, RINGS, ETC.)

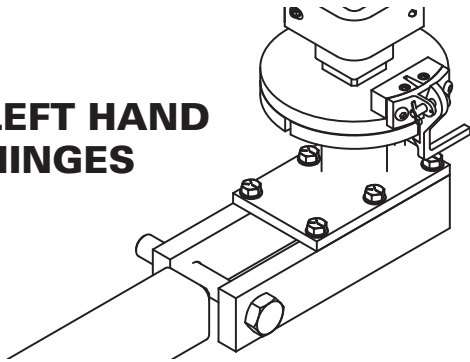
INSTALLATION INSTRUCTIONS

IMPORTANT

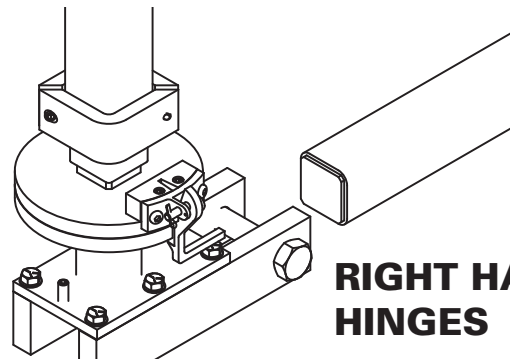
The Handy Lift must be installed opposite door hinge. Assemble the platform support for the left or right installation. Be sure that steps and other accessories will not interfere with the operation of the Handy Lift.

PLATFORM SUPPORT INSTALLATION:

LEFT HAND HINGES



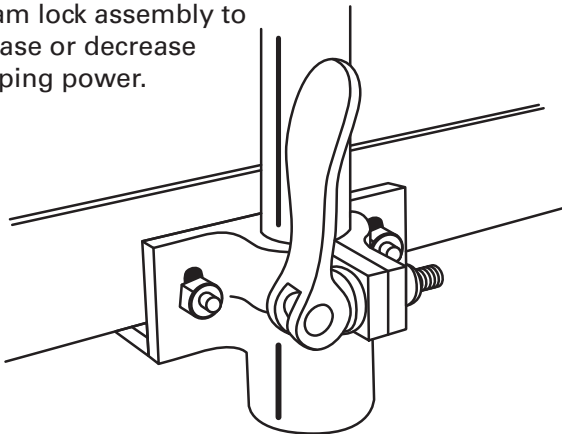
Fasten platform support foot assembly with bolt (7) and nut (8).



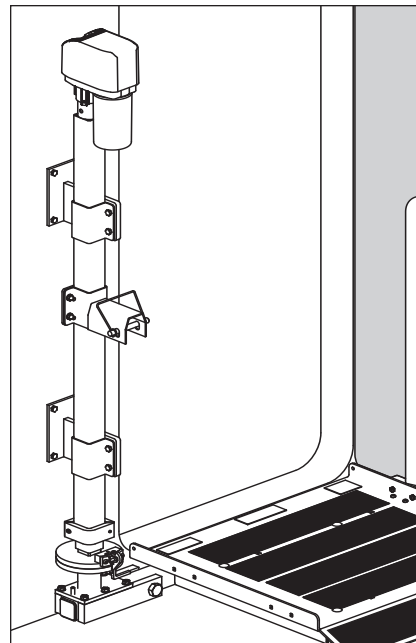
RIGHT HAND HINGES

HANDRAIL INSTALLATION:

Fasten handrail brackets to the tray with 1/4-20 x .875 cap screw (9) and with 1/4-20 nylock nut (10). Slide Handrail into bracket receivers and then rotate cam lock to secure handrail. Pull up on handrail to make sure it is secure. If necessary you can adjust the nut on cam lock assembly to increase or decrease clamping power.



HANDY LIFT INSTALLATION:



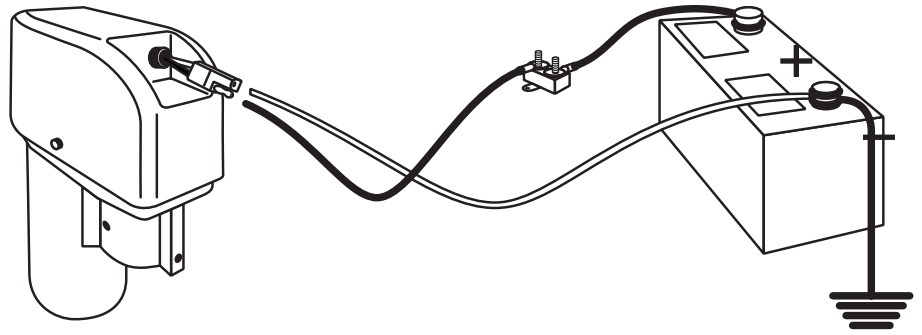
Put Handy Lift in place with platform even with floor. Align center line of platform with center line of door. Using mounting brackets as templates, drill 3/8" mounting holes through wall.

CAUTION:
DO NOT DRILL INTO WIRES OR OTHER UTILITIES THAT MAY BE INSIDE THE WALL.

HANDY LIFT LT OWNERS MANUAL

WIRING:

- Use 10 gauge wire or larger.
- Use crimp or solder connections.
- Keep circuit breaker close to the power source.



OPERATING INSTRUCTIONS:

The added clearance and weight of the HANDY LIFT will affect how your vehicle handles. It will be more sensitive to limited space areas.

Adjust your driving style to match the added weight. Drive slower until you become familiar with how the vehicle handles when turning and backing up. Plan for turns, stops, and lane changes well in advance. Remember added overall width when backing up, parking, etc.

Operators must become familiar with all controls and procedures. Understand what the HANDY LIFT can do and know its limits. Practice using it safely.

These safety labels are on the HANDY LIFT. Know where they are: read, understand, and obey them.

⚠ WARNING

Avoid serious injury, or death, to yourself and others. Follow these instructions:

- Read and understand OPERATOR'S INSTRUCTIONS before using HANDY LIFT.
- RV must be safely parked, on a flat level surface, when using HANDY LIFT.
- Keep body, hands, and feet away from shearing / squeezing points. One rider at a time on platform.
- HANDY LIFT is intended to assist a "standing" person (holding on to the verticle post) into the door opening of a Recreational Vehicle. UNDER NO CIRCUMSTANCES should a person attempt to use this lift while "seated" on a scooter or any type of wheelchair!
- Do not overload platform. Maximum capacity 300 lbs.

23053

⚠ CAUTION



Latch handle must be in place before stepping onto tray.

33044

⚠ WARNING



The tray must be folded up with the Safety Pin installed prior to travel!!!

33045

⚠ WARNING

MAXIMUM WEIGHT: 300 LBS

If maximum weight is exceeded, the design modified, or the unit is installed in a way contrary to manufacturer's instructions the warranty is void and catastrophic failure may occur. This could result in serious injury or death.

29234

⚠ WARNING




22173

⚠ WARNING

Don't risk serious injury or death in a shearing or squeezing accident. Keep body, hands, and feet away.

19989



INSPECTION:

Before using the HANDY LIFT, the user must inspect it completely to ensure safe operation.

- **ACTUATOR, PLATFORM, AND FRAME:** Look at their condition. Check for cracked or broken parts and loose or missing fasteners.
- **SWITCH OR REMOTE CONTROL:** Platform must raise or lower only when activated.
- **SAFETY LABELS:** If safety labels are missing or unreadable, replace them immediately.

**_____ If the unit is unsafe or in need of repair, _____
do not use it until it is returned to a safe operating condition.**

HANDY LIFT LT OWNERS MANUAL

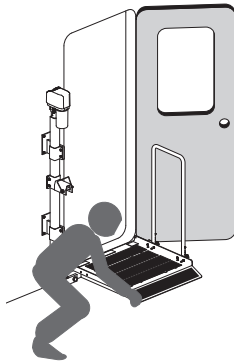
OPERATING POSITION:

VEHICLE must be in a safe parked position on a flat level surface. Allow enough room to safely load and unload rider.

HANDY LIFT should always be inspected before operating.

OPERATOR must keep others away from moving platform.

LIFT should always be locked in place.

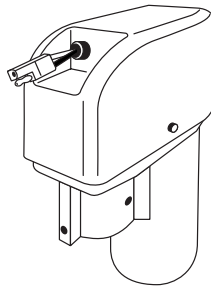
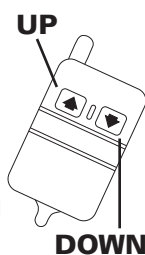


PLATFORM must be all the way down, rotated, and locked in place. Stay away from curbs, steps, etc. that may cause the platform to tip.

OPERATION (ELECTRIC)

When the actuator reaches the end of its travel (either raising or lowering) a built in torque limiter goes into operation with a clicking noise.

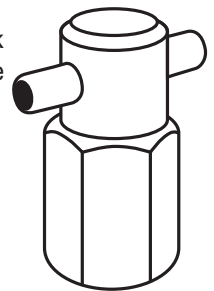
This torque limiter allows the final drive gear to slip, protecting the unit from damage. **PROLONGED OPERATION OF THE TORQUE LIMITER IS NOT RECOMMENDED.**



(MECHANICAL)

If an electrical failure should ever occur, the crank nut may be inserted into the actuator post and the actuator can be raised or lowered.

Powerhead must be removed to raise and lower actuator platform.



RF RECEIVER MODEL RF12V1PR-ASL INSTRUCTIONS

The RF12V1PR-ASL is an RF receiver operating at a fixed frequency of 340 MHz. The receiver operates from 12VDC and provides a polarity reversing output. Up to twelve, two button keyfob transmitters (model KF340-2) can be used to activate the receiver's relay. The receiver provides four, 1/4-inch quick connect terminals for connecting the power and relay contacts. Each transmitter has a unique address that is transmitted when a button is pressed. A "program" button is provided on the receiver to program the transmitter(s) address into the receiver's memory. An LED on the receiver indicates the receiver's programming status and illuminates when either relay is energized. The receiver is encased in a small, waterproof enclosure. The operating range is at least 100 feet. Additionally, there are three lead wires that can be connected to an external switch which allows the receiver to be operated without using the remote transmitter. **The black switch lead wire is common.**

Maximum ratings: Power for the receiver can be in the range of 10 to 15Vdc. The receiver is reserve polarity protected. The relay contacts are rated at 30 amps @ 13.8Vdc.

Power consumption: 10mA when the relays are de-energized, 45mA when the relay is energized.

Input Power consumption: 12Vdc power connects to the "+" and "-" terminals.

Output Connection: The output of the receiver is connected to the "+" and "-" terminals.

Programming Instructions: Each transmitter has its own unique internal address. The receiver needs to be programmed to respond only to the specific transmitter it is intended to operate with. The following steps configure the receiver to operate with a particular transmitter or transmitters.

Momentary Output: The transmitter and receiver can be configured for momentary operation. For momentary operation, the output of the receiver will be active for as long as the transmitter switch is depressed, and will turn off when switch is released.

1. Locate the push button switch labeled "PROGRAM" on the receiver. Press and hold this switch until the red LED next to the program switch illuminates (approximately 3 seconds). The receiver is now in the transmitter program mode. Release the switch. At this point all previously programmed transmitter addresses are erased from the receiver's memory.
2. For momentary operation, press and release a switch on the transmitter. The red program LED on the receiver will blink once.
3. Repeat previous step for additional transmitters that you desire the receiver to respond to.
4. The receiver will return to normal mode if no transmitter switches are pressed for 5-seconds. The red LED on the receiver will flash and then turn off. The receiver is now in the normal mode of operation. This completes the programming instructions. The receiver will retain all of its programming even when power is removed.

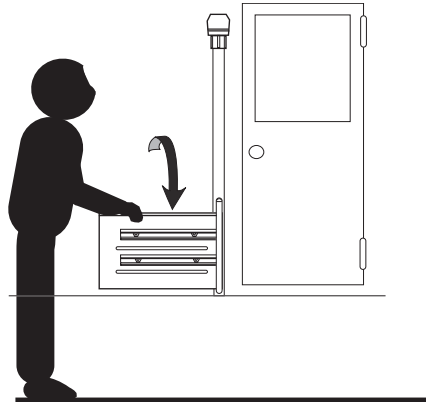
HANDY LIFT LT OWNERS MANUAL

ENTERING:

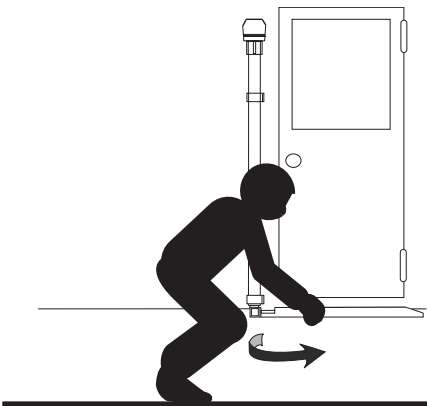
When not in use, platform must be folded, raised all the way up and latched.



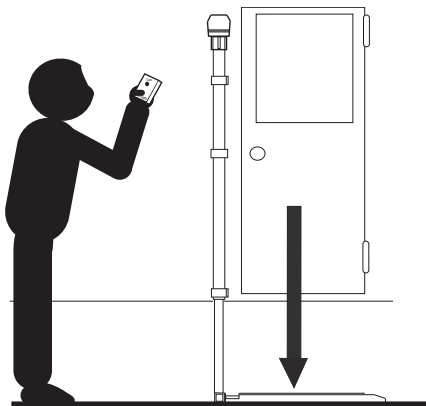
1. Remove Safety pin and lower plate.



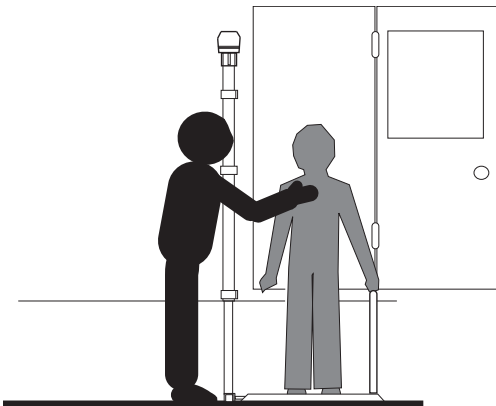
2. Unfold platform.



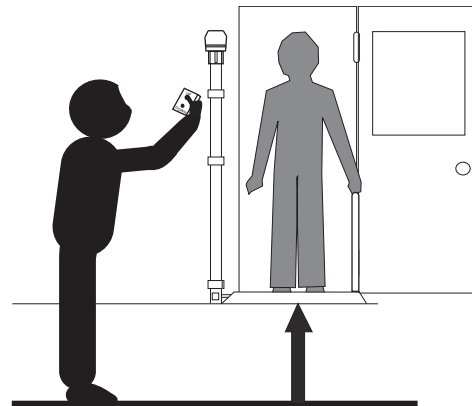
3. Pull the latch handle and rotate platform to the door. Be sure latch handle is in place after rotating platform.



4. Lower platform to the ground. Open outside door.



5. Passenger must always stay in the center of the platform, and use handrail.

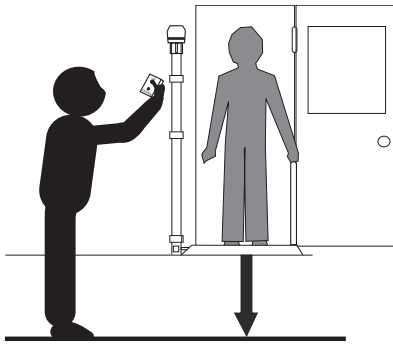


6. Raise platform, with passenger, all the way up.

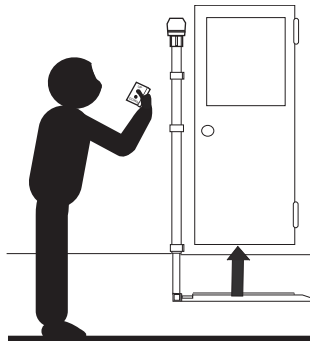
HANDY LIFT LT OWNERS MANUAL

EXITING:

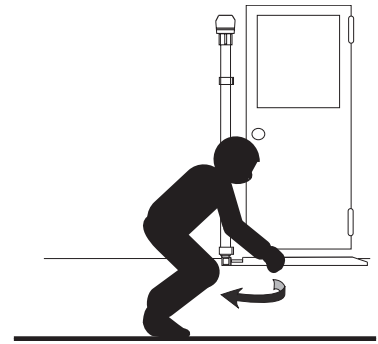
When not in use, platform must be folded, raised all the way up and latched.



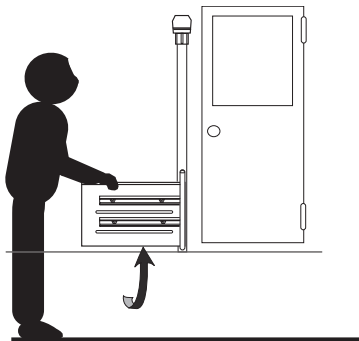
1. Lower platform, with passenger in center of platform, all the way to the ground and using the handrail



2. Close outside door. Raise empty platform all the way up.



3. Pull latch pin and rotate platform toward actuator. When completely rotated, latch handle should snap back into anti rotation.

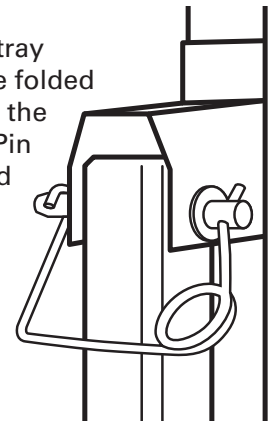


4. Fold platform in upright position.



5. Raise platform till it latches securely.

6. The tray must be folded up with the Safety Pin installed prior to travel.

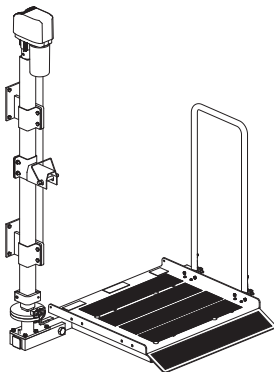


MAINTENANCE:

Handy Lift

Pivot and wear points should be greased, when needed, with a lithium based grease.

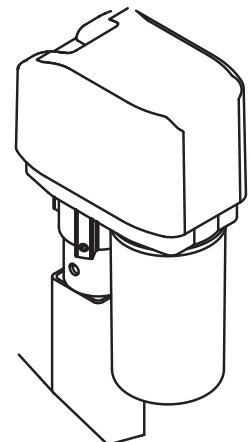
The platform can be cleaned with warm water and dish soap solution.



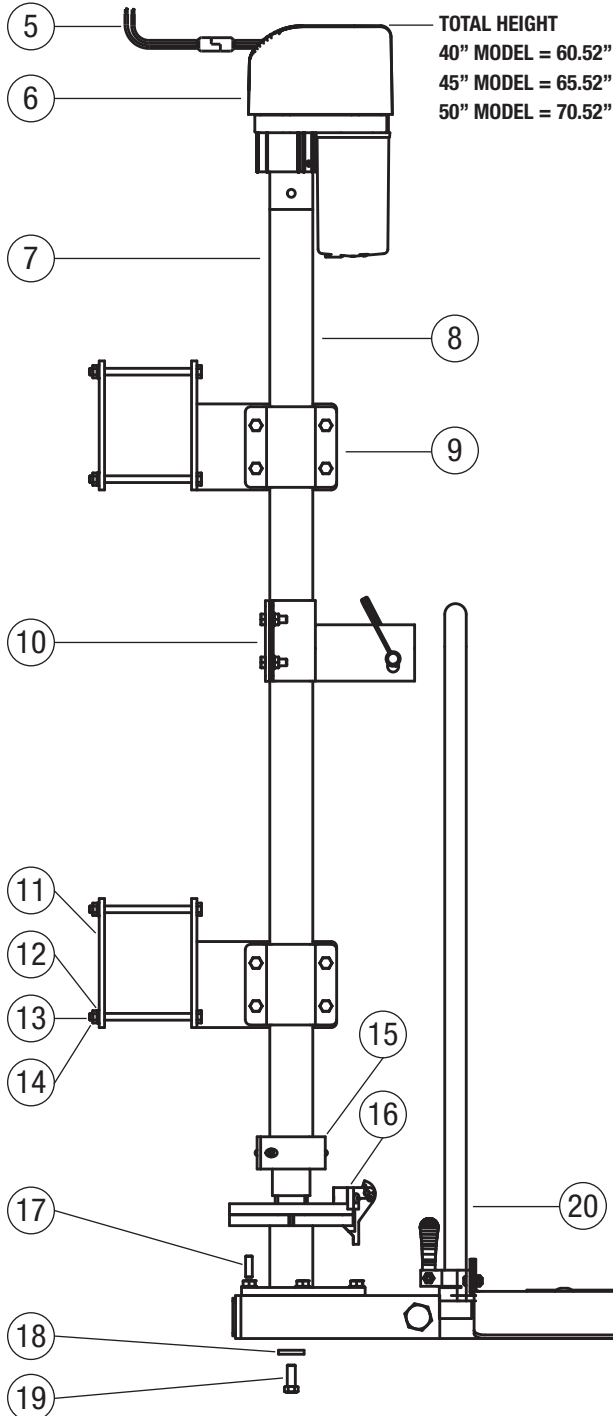
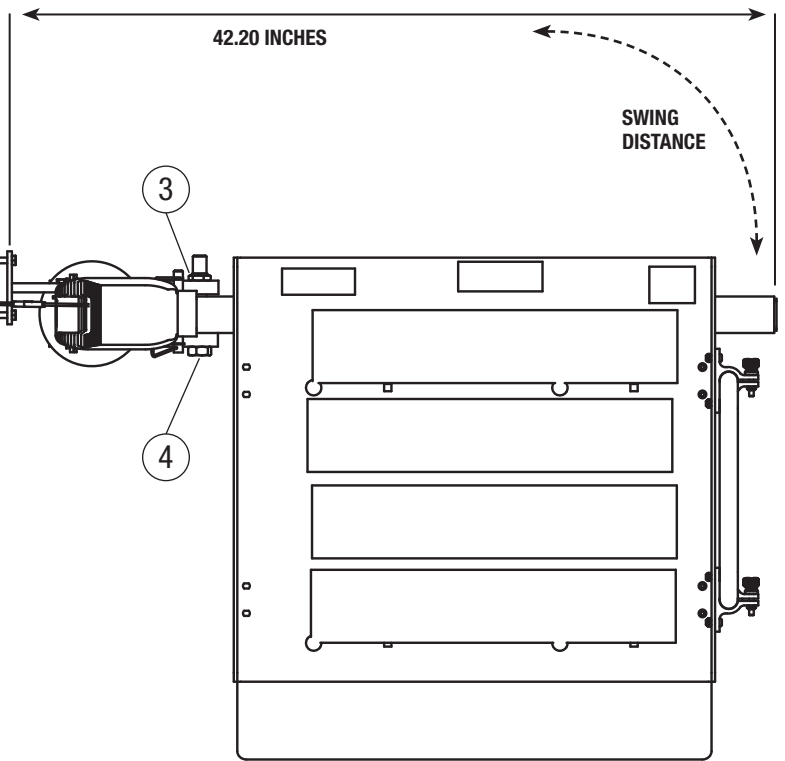
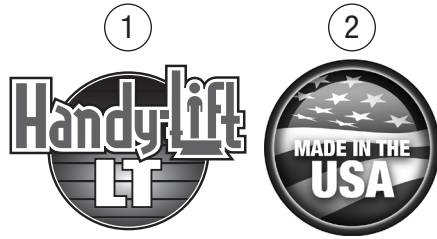
Powerhead:

1. Once a year, remove the powerhead and grease with lithium based grease applied directly to the coupling on which the drive pin rests. **DO NOT POUR OIL** into the top of the actuator.

2. Once a year, remove the housing cover and inspect for proper lubrication. Remove 4 screws and tap around the edges of housing to free the cover. **DO NOT** insert a screw driver blade- this may damage mating surfaces. Before replacing cover, clean mating surfaces. If lubrication is needed, use a lithium based gear grease.



HANDY LIFT LT PART LIST



ITEM	PART NO.	DESCRIPTION	QTY
1	33212	HANDY LIFT LABEL LT	1
2	33029	LABLE MADE IN USA HANDY LIFT	1
3	611-2104	LOCK NUT 3/4- 10	1
4	600-7005	HEX BOLT 3/4- 10 x 5	1
5	32499	WIRE PLUG POWER SUPPLY HL	1
6	32745	POWER HEAD HL 17_1_RF	1
7	COMPLETE	40" POST ASSEMBLY 33170 (45" 33171) (50" 33172)	1
8	POST ONLY	POST-SUB 40" 33177 (45" 33178) (50" 33179)	1
9	22880	POST HOLDER ASSEMBLY	2
10	33169	TRAVEL BRACKET ASSEMBLY HL 300	1
11	22538	MOUNTING PLATE HL	2
12	80224	WASHER LOCK 5/16" SPLIT ZINC	8
13	600-0032	BOLT HCS 5/16- 18 x 5	8
14	610-1400	NUT HEX 5/16- 18	8
15	33097	ALIGNMENT GUIDE ASSEMBLY HL 300	1
16	33210	LATCH BRACKET ASSEMBLY	1
17	608-0001	SET SCREW 5/16- 16 x 1	1
18	617-0032	STOP WASHER HANDY LIFT	1
19	600-0031	BOLT HCS 3/8- 16 x 1 gr5	1
20	33106	HAND RAIL SYSTEM HL	1

HANDY LIFT LT OWNERS MANUAL

NOTES