

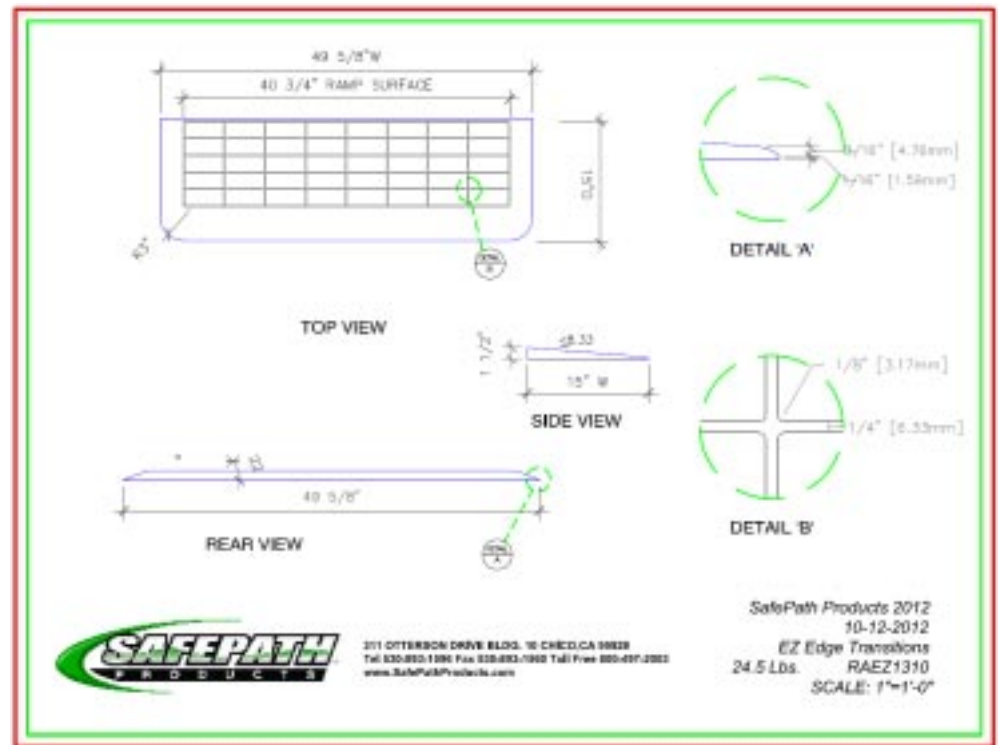


EZEdgeTM Transitions

Product Title: EZEdge Transition	
Model No.	RAEZ 1310
UPC:	636585100301
Product Dimensions 1-1/2" H x 49-5/8" W x 15" L	
Carton Dimensions 2-1/2" H x 18-1/2" W x 53" L	
Freight Class 55	Lead Time 1-3 Business Days
Product Weight 24.5 Lbs.	Ship Weight 27 Lbs.
Product Color Black	Weight Limitations None
Comments: Ramps are perfect for exterior or interior use. For interior use, apply recommended adhesive, double-back tape or Velcro to fasten to floor or substrate. These transitions have superior slip-resistant properties, are safe and solid and are 100% made in the USA.	

Our EZEdgeTM transition ramp was the first patented 100% recycled rubber threshold ramp in the United States. This ramp was designed for safety, slip-resistance, easy access, code compliance and is made from recycled tire rubber. EZEdgeTM ramps can be cut for various heights and can be notched in the field for door jambs and/or stops. These ramps were designed for entry-way doors, sliding glass doors, patio doors, and showers. Perfect for exterior, interior, residential and commercial applications, these ramps have no load weight limitations, unlike aluminum ramp products.

Our EZEdgeTM ramps are made from high density reclaimed rubber and will not fade, crack or deteriorate. They are guaranteed to resist damage caused by UV rays and are warranted for 10 years. SafePath ramps are of the highest quality and come from the company that produces the largest selection of ramps in the industry.



Drawing



Product Photo