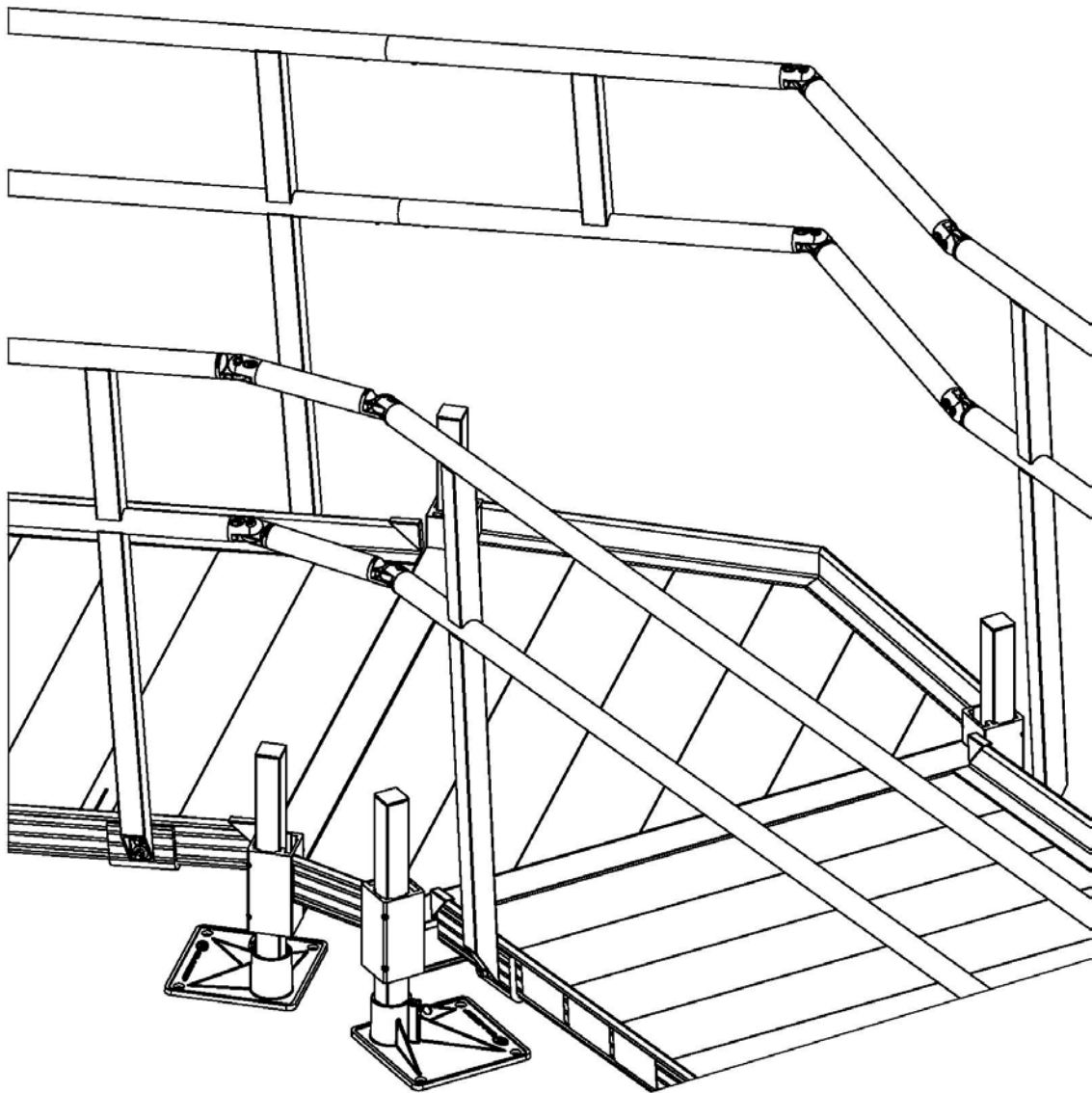


Pathway[®] Modular 45-Degree Angle Platform

Assembly Manual *Supplement*



Manufactured in the USA

© 2012 Homecare Products, Inc. All rights reserved. All text and images contained in this document are proprietary and may not be shared, modified, distributed, reproduced, or reused without the express written permission of EZ-ACCESS[®], a division of Homecare Products, Inc.

PN 12101 REV 01-11-13

ASSEMBLY MANUAL

For EZ-ACCESS[®] Pathway[®] Modular 45-Degree Angle Platform

ATTENTION INSTALLER:

- For residential use only
- 850 lb. weight capacity
- Read all instructions, labels, and product warnings prior to assembly and use
- Please leave this ASSEMBLY MANUAL with the end user

ATTENTION END USER:

- 850 lb. weight capacity
- Read all instructions, labels, and product warnings prior to use

TOOLS TYPICALLY REQUIRED:

- ✓ 1/8" DRILL BIT
- ✓ 5/32" ALLEN WRENCH
- ✓ 3/16" ALLEN WRENCH
- ✓ #2 PHILLIPS HEAD SCREW DRIVER OR PHILLIPS DRILL HEAD
- ✓ BOX KNIFE
- ✓ 25' TAPE MEASURE
- ✓ LEVEL
- ✓ RUBBER Mallet
- ✓ POWER DRILL
- ✓ PLIERS

VIEW PACKING LIST:

- Each ramp system is shipped with a packing list. Be sure to check that all items are present before starting installation.

Safety, Use, and Maintenance



⚠ INSPECTION (BEFORE USE)

- Read and follow all labels and assembly instructions prior to use. To obtain a copy of complete instructions, warnings and cautions, call customer service at 1-800-451-1903.
- Check that all parts are in good condition.
- Consult and adhere to local building codes, including securing the system for wind loads.
- Use caution at all times. Proper maintenance and upkeep to the system and all Pathway® system components is vital. **NOTE:** The term “system” refers to the entire ramp system, including, ramp, platform, steps, handrails, supports, transition plates, landing pad, and any/all hardware and components).
- Regularly check that all parts are in good condition and check the system for damage. Ensure all fasteners and locking mechanisms are in place and tightened. If any part of the system is damaged, loose, or missing, **DO NOT USE UNTIL REPAIRS CAN BE MADE BY A CERTIFIED INSTALLER OR OTHER QUALIFIED PERSON.**

⚠ DANGER! Metal conducts electricity. Do not use near exposed wiring or hang lights from system.

⚠ PROPER SET UP AND USE

- 850 pound weight capacity. Do not exceed rated capacity unless otherwise stated for a specific component.
- For residential use only.
- Do not walk, sit, stand, etc. on system until the installation is complete.
- **IMPORTANT:** Use system only with a qualified helper.
- Always use your mobility device’s lap belt.
- **IMPORTANT:** Refer to your equipment’s User Manual for the proper degree of incline/decline and chair direction. Never exceed its recommendations.
- Do not use if walking surface is unsafe.
- The system may be slippery when wet or icy.
- Proper maintenance and upkeep to the system is vital. **DO NOT USE** if any part of the system is damaged or unstable.
- Confirm that the system is correctly leveled and positioned securely. Periodically check for ground shifts.
- Never place anything on, under, or attach anything to system.
- Only use components supplied or approved by manufacturer with system.
- Do not sit, stand, or climb on guards or handrails.
- Do not use handrails, or any other part of the system, to support planters, decorations, etc.
- Do not play on or around system, including, but not limited to, running, jumping, bicycles, scooters, skateboards, etc.
- Properly support and restrain system in transit or storage.

⚠ MAINTENANCE

- Proper maintenance and upkeep to the system is vital. If any part of the system is damaged or unstable, **DO NOT USE UNTIL REPAIRS CAN BE MADE BY A CERTIFIED INSTALLER OR OTHER QUALIFIED PERSON.**
- At all times, keep the system clear of dirt, leaves, and other debris that may accumulate on the surface. Simply sweeping the system or using a garden hose will usually suffice, but, if needed, a damp cloth or soft brush with soap and water can be used (avoid alkaloid detergents). Rinse well and use extra caution when the tread surface is wet.
- If system surface is covered with ice and/or snow, **DO NOT USE** until accumulation is removed and the tread surface swept clean. Magnesium Chloride salt substitute may be used to melt snow or ice accumulation. However, after the snow and/or ice threat has cleared, be sure to clean the tread surface with soap and water (avoid alkaloid detergents) to remove Magnesium Chloride residue. Rinse well and use extra caution when the system surface is wet.
- Regularly check that all parts are in good condition and check the system for damage. Ensure all fasteners and locking mechanisms are in place and tightened. If any part of the system is damaged, loose, or missing, **DO NOT USE UNTIL REPAIRS CAN BE MADE BY A CERTIFIED INSTALLER OR OTHER QUALIFIED PERSON.**
- Periodically check for ground shifts.
- For additional care, usage, or general safety information, please call 1-800-451-1903.

⚠ Refer to your equipment’s Owner Guide for the proper degree of incline/decline and chair direction before attempting ramp use. Never exceed its recommendations. Always adhere to the safety instructions of your mobility device, including the proper usage of a lap belt and the assistance of a qualified helper.

The EZ-ACCESS® Pathway® Modular 45-Degree Angle Platform (MPARR45) is designed to turn a 45° corner between two Pathway modular ramps. Handrails, four each support tubes and four each modular feet (two pair MSTsxxPR where xx denotes the support tube usable length), and two Ramp Hanger Pairs (MRHP) are required to make the connection.

1. INSTALLING SUPPORT TUBES AND FEET

- 1.1. Support tubes will come in the length you ordered and will not need to be cut. It is recommended that the plug be installed in the support tube before installing the tube into the platform.
- 1.2. Stand platform on its side and insert support tubes into each of the four corner pockets. Adjust the support tubes to the approximate height needed and tighten one of the set screws in each of the four corner pockets with a 3/16" Allen wrench, just enough to hold the support tube in place. **NOTE:** do not over tighten. The second set screw will be tightened after final height adjustments are complete (FIG. 1).
- ▲ WARNING:** Do not attempt to walk on the platform until all support tube set screws have been tightened securely and the feet have been properly installed.
- 1.3. Place the platform with support tubes attached into the upright position.
- 1.4. Position platform, then lift each corner of the platform and install a base foot on each support tube (oriented so that the foot extends under the platform, except as noted in FIG. 1). Make sure the feet are fully engaged on the tubes and tighten the thumb screw on each foot securely. **NOTE:** If installing on soft soil it may be necessary to set the base foot on a concrete pad.
- 1.5. Adjust the platform to the final height by adjusting the support tubes one at a time. Loosen the set screws in the platform corner pockets, and then adjust the platform height and level. Once the final height has been adjusted and the platform leveled, tighten both set screws in each platform corner pocket.
- 1.6. Ensure that all set screws are secure and install plugs in the top of each support tube if not already done.

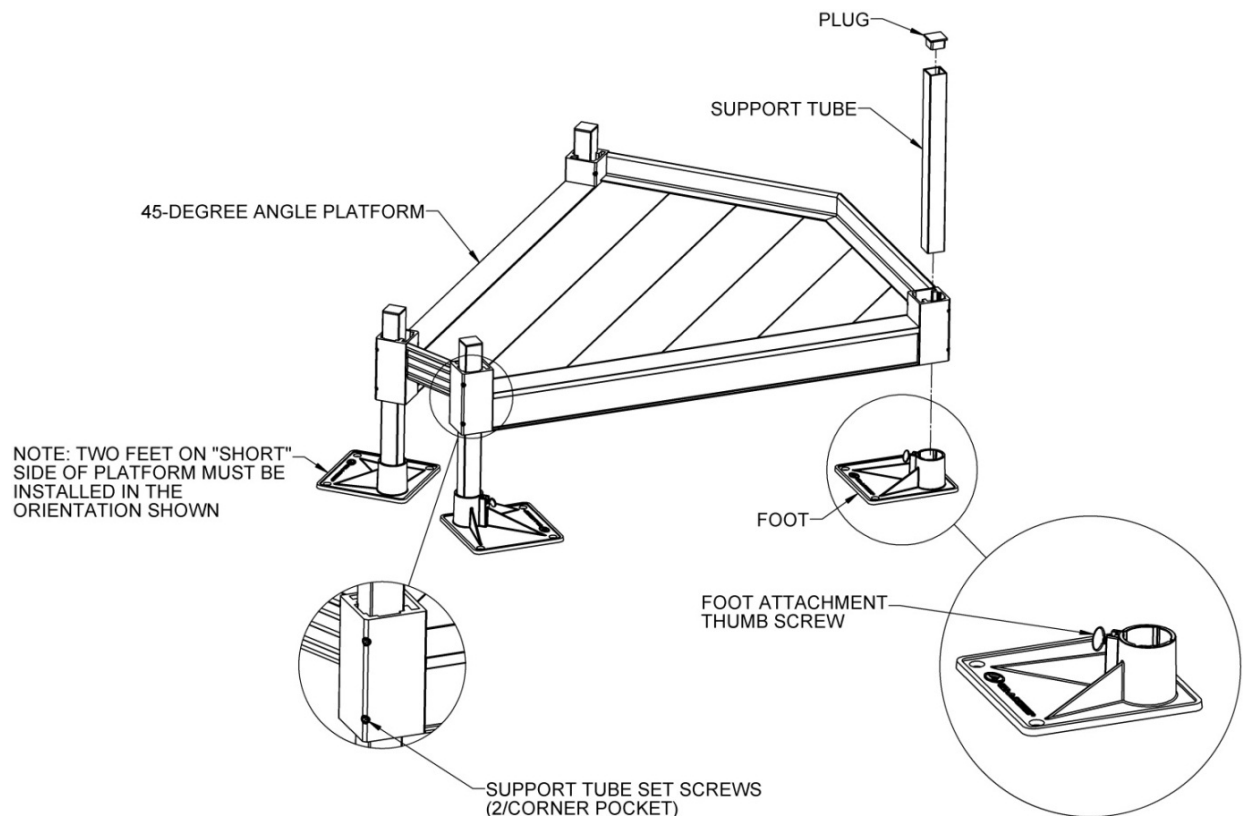


FIG. 1

2. INSTALLING RAMP HANGERS AND RAMPS

- 2.1. Locate two Ramp Hanger Pairs (MRHP). Install two ramp hangers (one pair) onto each “long” side of the angle platform where ramps will attach. Place ramp hangers approximately 32” apart (FIG. 2).
- 2.2. Hold the ramp hanger to the platform side rail as shown in FIG 2, and then bring the ramp hanger upward until its “hook” is under the lip in the platform side rail.
- 2.3. With continuing upward pressure, push the bottom of the ramp hanger against the platform side rail, then release, allowing the ramp hanger to slip down and rest inside the ledge at the bottom of the platform side rail (FIG. 2).

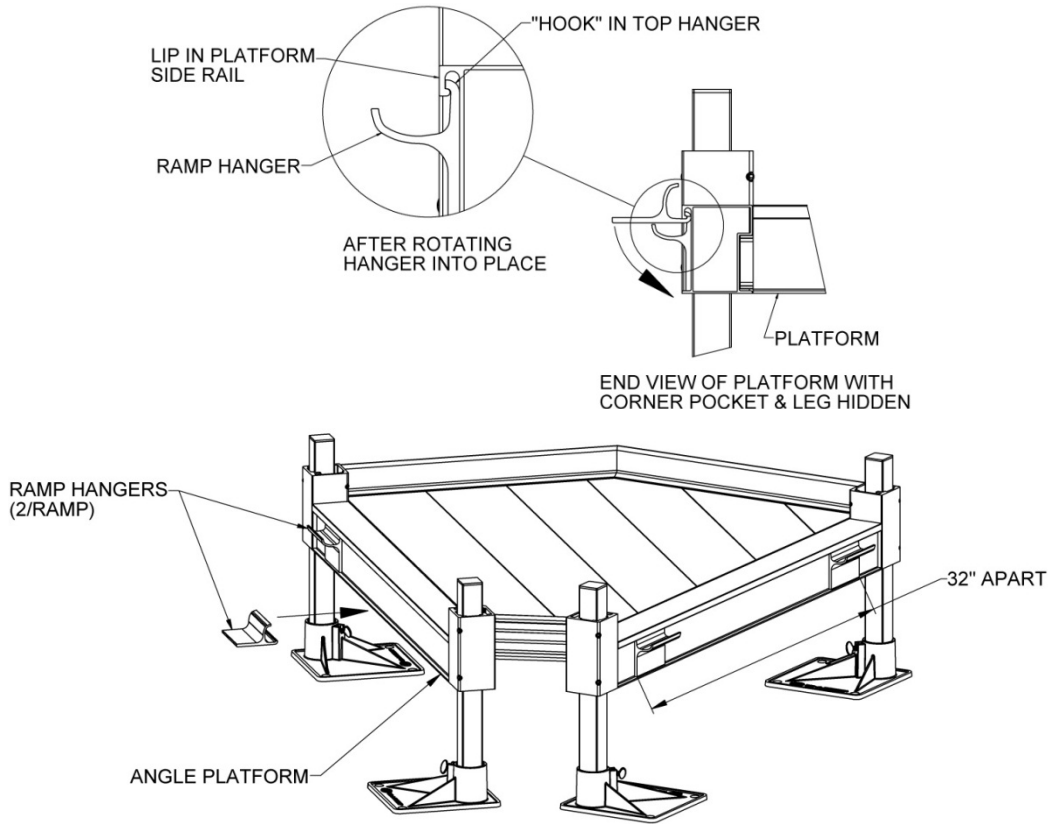


FIG. 2

2.4. Set the ramp on the ramp hangers. The ramp hangers should be positioned as close as possible to the inside of the ramp side rails. The procedure is the same at both the top and bottom of ramp runs (FIG. 3).

⚠ WARNING: Do not attempt to walk on ramps until installation is complete.

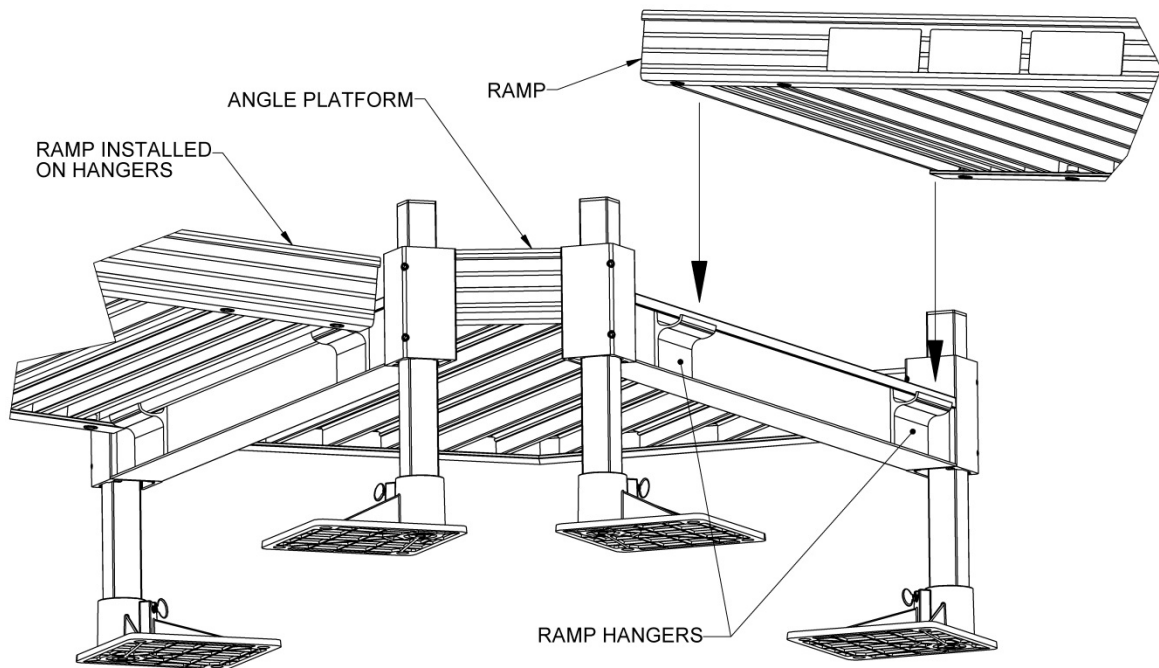


FIG. 3

3. RAMP HANDRAIL ASSEMBLY

- 3.1. Install ramp handrails onto ramps. **IMPORTANT:** For this process, you will need to refer SECTION 4 of the MODULAR RAMP ASSEMBLY MANUAL that accompanied the ramp purchase.

4. CONNECTING RAMP HANDRAILS TO THE ANGLE PLATFORM

- 4.1. After installing the ramp handrails, connect the two handrails adjacent to the “short” side of the angle platform first. This connection is made using the included two 1-1/2” diameter handrail tubes and four of the adjustable elbows. Short sections will be cut from each 1-1/2” diameter handrail tube. **IMPORTANT:** Do not cut both short sections from the same piece tube as these tubes will be used later to connect ramp handrails on the “long” side of the angle platform.
- 4.2. Install and align the adjustable elbows. Measure and cut the 1-1/2” diameter handrail tubes connecting the ramp handrails as described in SECTION 5, CONNECTING HANDRAILS WITH ADJUSTABLE ELBOWS. FIG. 4 shows the completed connection.

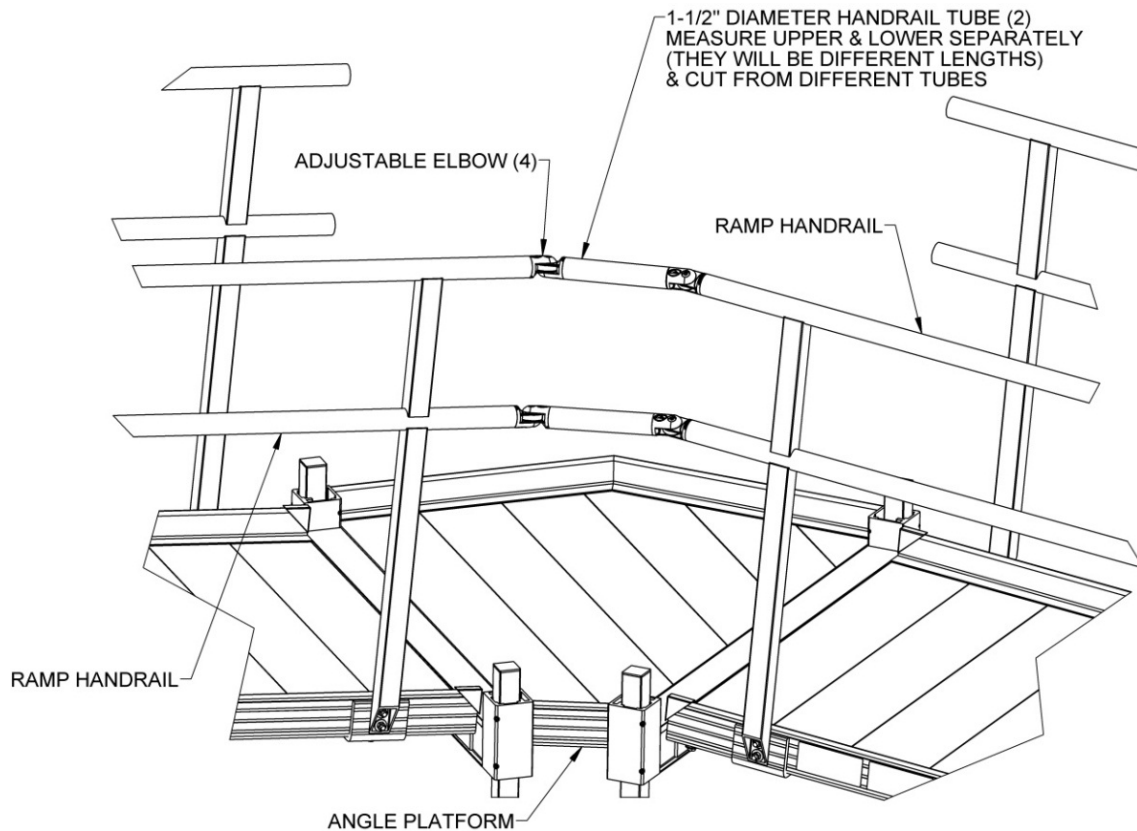


FIG. 4

- 4.3. To connect the handrails on the “long” side of the angled platform, the welded handrail extension (shaped like an “H”) must first be connected to the ramp handrail whose uppermost point ends at the angled platform (not the ramp whose lowermost point starts at the angled platform). First, locate the two 1.315” diameter x 6” long connector tubes and the four #10-1/2” long Pan Head Phillips self-drilling screws.
- 4.4. Insert the 1.315” diameter x 6” long connector tubes into the ramp handrail tubes until 3” of the connector tube is left exposed. Drill 1/8” diameter pilot holes on the underside of the ramp handrail tubes 1-1/2” from the end. Drill through one wall of both ramp handrail and connector tubes (FIG. 5).
- 4.5. Fasten connector tubes to the ramp handrail with the #10 x 1/2” long Pan Head Phillips self-drilling screw.
- 4.6. Slide the “H” shaped welded handrail extension on to the connector tubes installed in the previous step (FIG. 6).
- 4.7. Drill 1/8” diameter pilot holes on the underside of the handrail extension tubes 1-1/2” from the end of the ramp handrail. Drill through one wall of both handrail extension and connector tubes (FIG. 6).
- 4.8. Fasten connector tubes to the handrail extension with the #10 x 1/2” long Pan Head Phillips self-drilling screw.
- 4.9. After the welded handrail extension is installed, install and align the adjustable elbows and measure and cut the 1-1/2” diameter handrail tubes connecting the ramp handrail to the handrail extension as described in Section 4, Connecting Handrails with Adjustable Elbows. FIG. 7 shows the completed connection.
- 4.10. Make sure all fasteners are tightened securely. Periodically check and ensure all fasteners are tightened.

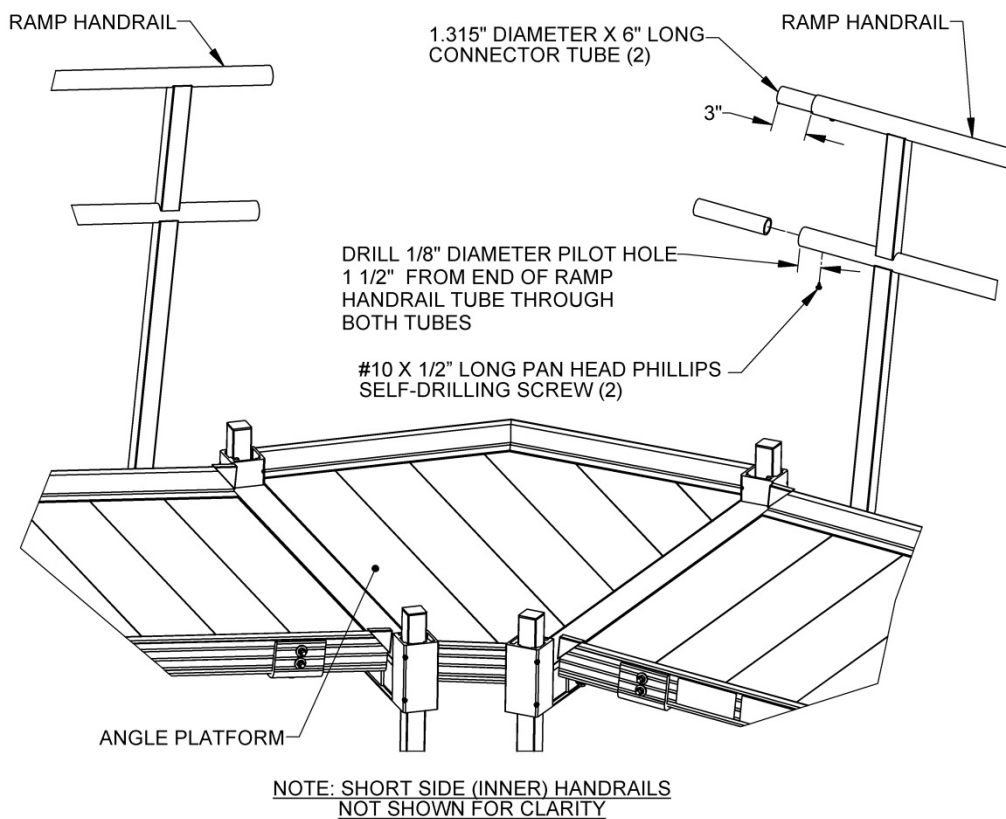


FIG. 5

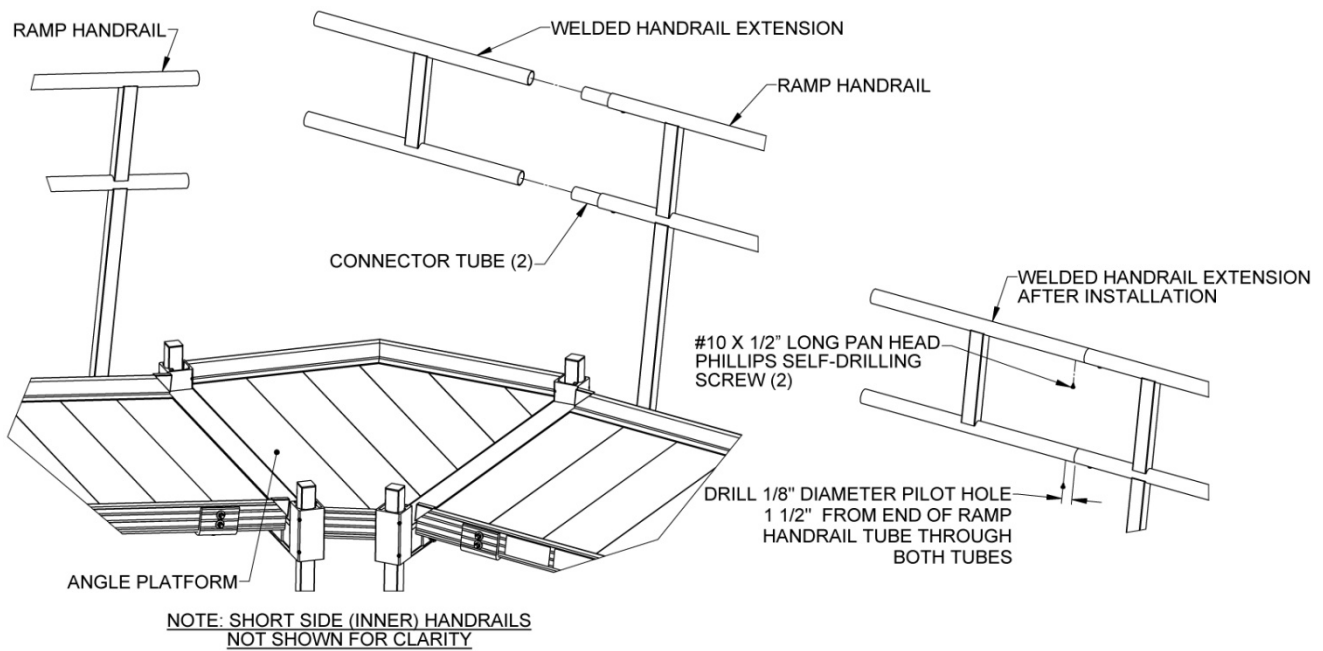


FIG. 6

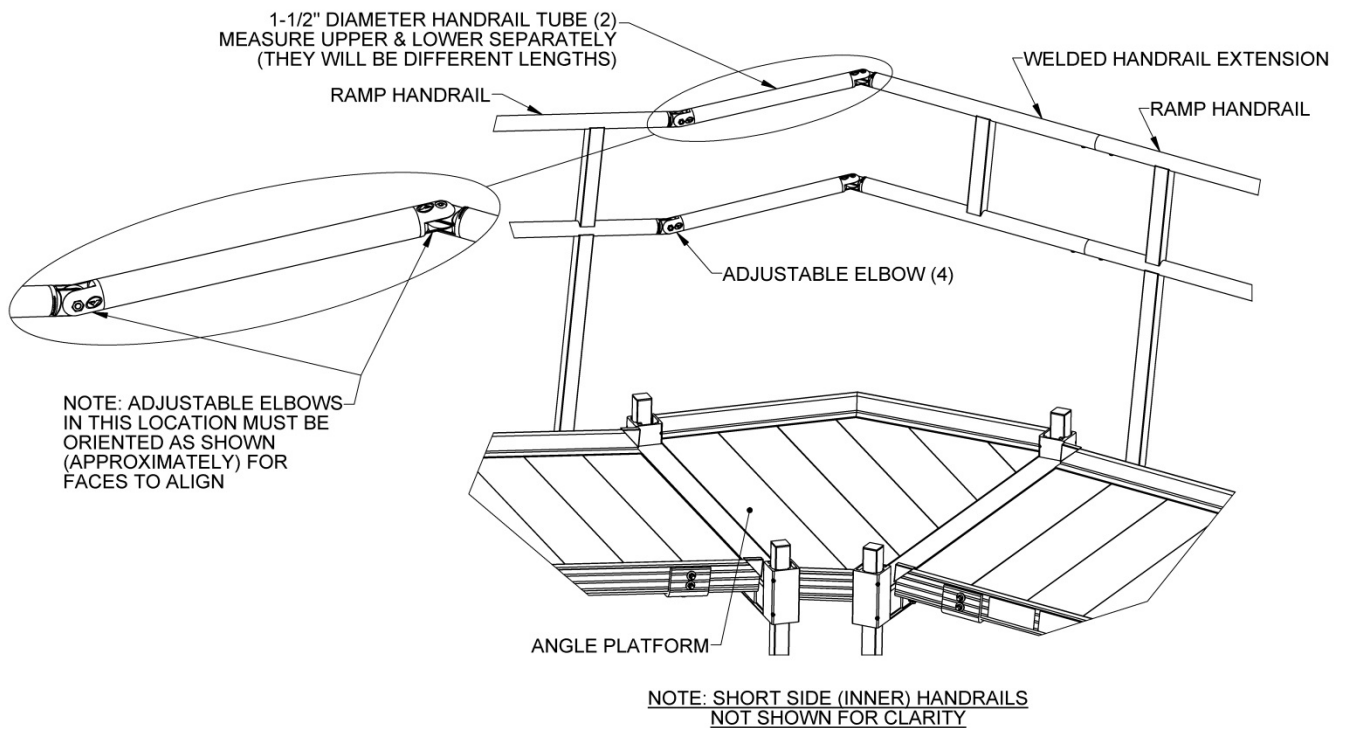


FIG. 7

5. CONNECTING HANDRAILS WITH ADJUSTABLE ELBOWS

The adjustable elbow is used to connect two 1-1/2" diameter round tubes and is most commonly used to connect two ramp handrails when the ramps change direction with a platform in-between.

5.1. **CONNECTING TWO 1-1/2" DIAMETER ROUND TUBES (RAMP HANDRAILS):** Because each installation is unique, the round tubes used to connect two adjustable elbows must be cut to fit at the job site.

5.1.1. Slide an adjustable elbow into each 1-1/2" diameter round tube (FIG. 4.1).

5.1.2. Position both until they are aligned (do not tighten), and measure the distance between the two larger round faces (FIG. 4.2). **NOTE:** When connecting ramp handrails, the gap in the upper and lower handrail tube will be different. Be sure to measure both before cutting the round tube.

FIG. 4.1

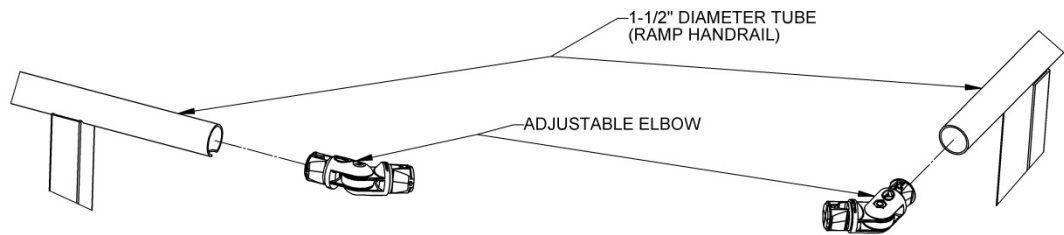


FIG. 4.2

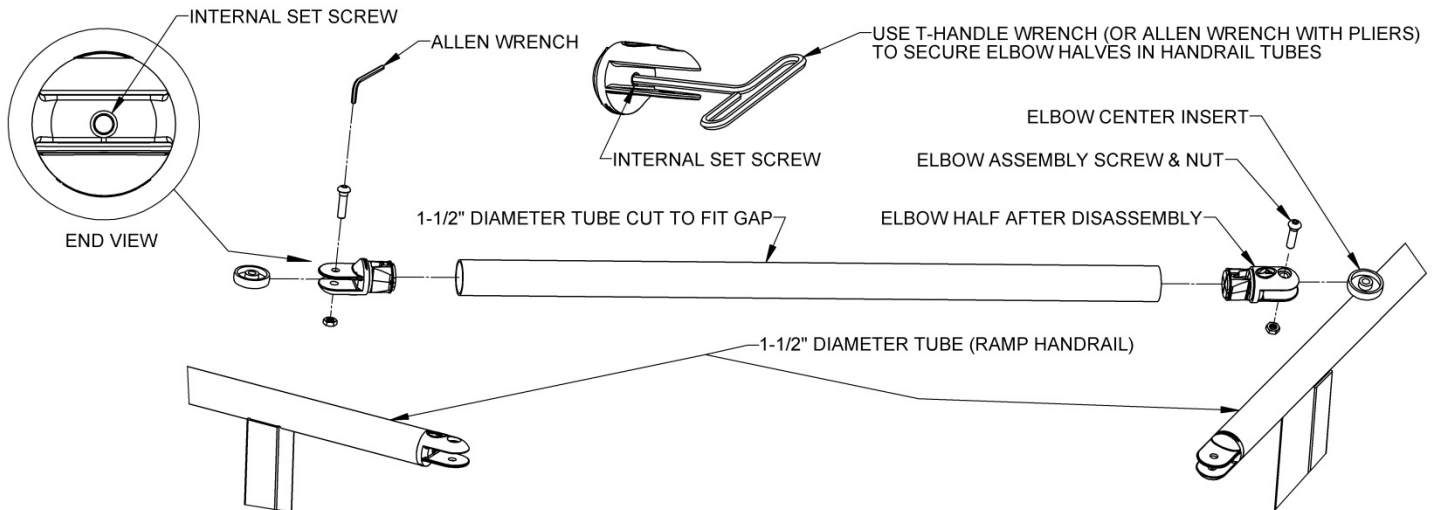
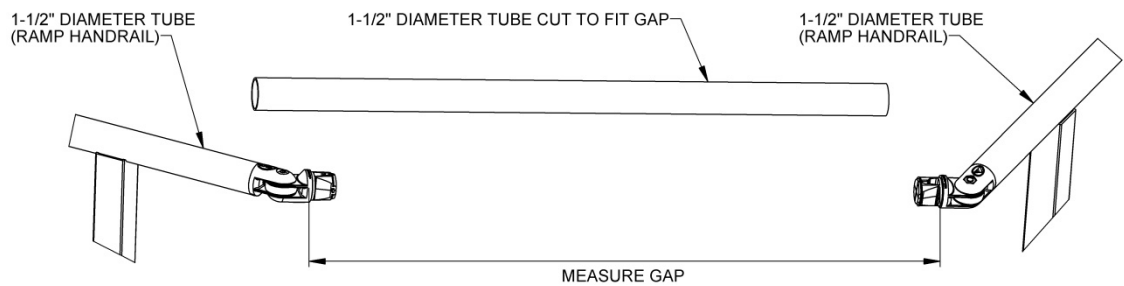


FIG. 4.3

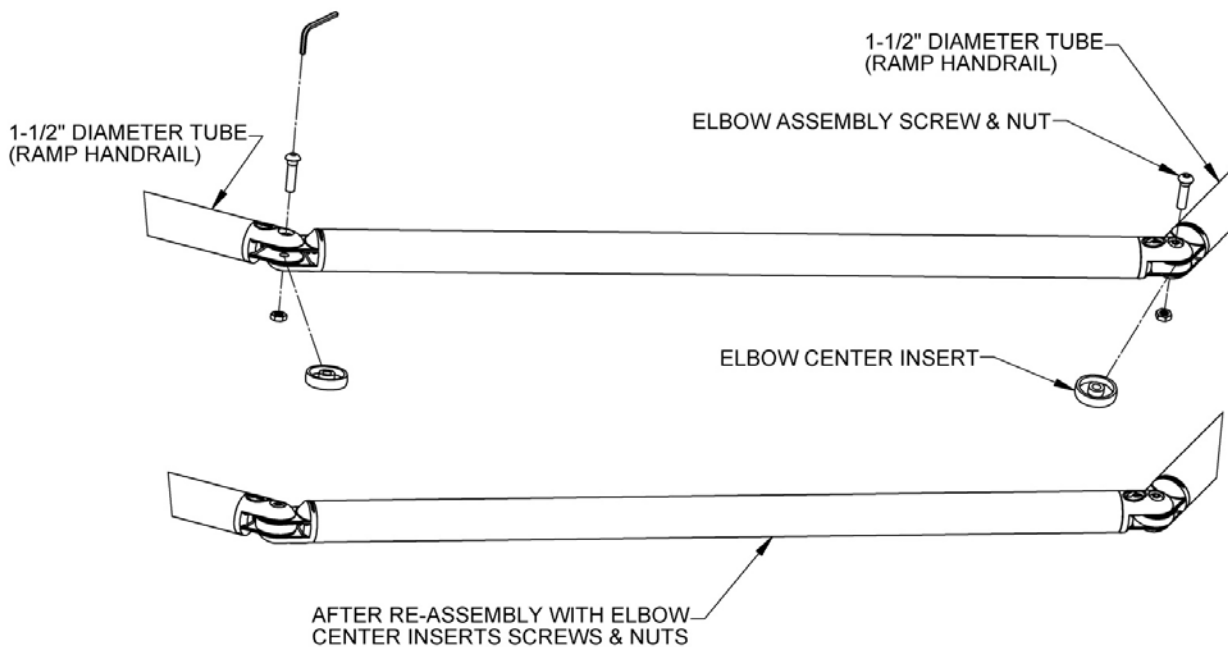


FIG. 4.4

- 5.1.3. Cut the 1-1/2" diameter round tube to the length measured (FIG. 4.2).
- 5.1.4. Smooth any sharp edges from the cutting using a metal file.
- 5.1.5. Disassemble adjustable elbow by removing the screw and nut (FIG. 4.3).
- 5.1.6. Install an elbow half into each end of the cut tube (FIG. 4.3).
- 5.1.7. Tighten internal set screws with a T-Handle wrench. An Allen wrench and pliers to get additional torque can be used as an alternate (FIG. 4.3).
- 5.1.8. Reassemble elbow by replacing center insert and securing with the screw and nut then tighten all fasteners securely (FIG. 4.4).
- 5.1.9. Test to ensure elbows are properly secured and attached. If needed, tighten internal set screws to secure more rigidly.

6. SECURE RAMPS TO PLATFORMS:

- 6.1. After all ramps and platforms have been positioned and all handrails and/or connectors, and end loops have been installed, ramps must be secured to platforms with ramp clips (included in MRHP - RAMP HANGER PAIR).
- 6.2. Use two ramp clips at all locations where a ramp meets a platform.
- 6.3. Position ramp clip so that the long side is as close as possible to the ramp side rail and with the clip edge extends onto the ramp side rail by approximately $5/16"$ (FIG 5.1).
- 6.4. Drill $1/8"$ pilot holes centered on the ramp side rails and $5/16"$ from the edge of the platform side rail, and then use the $1/4" \times 1"$ long self-drilling, self-tapping screw to secure the clip to the platform side rail.

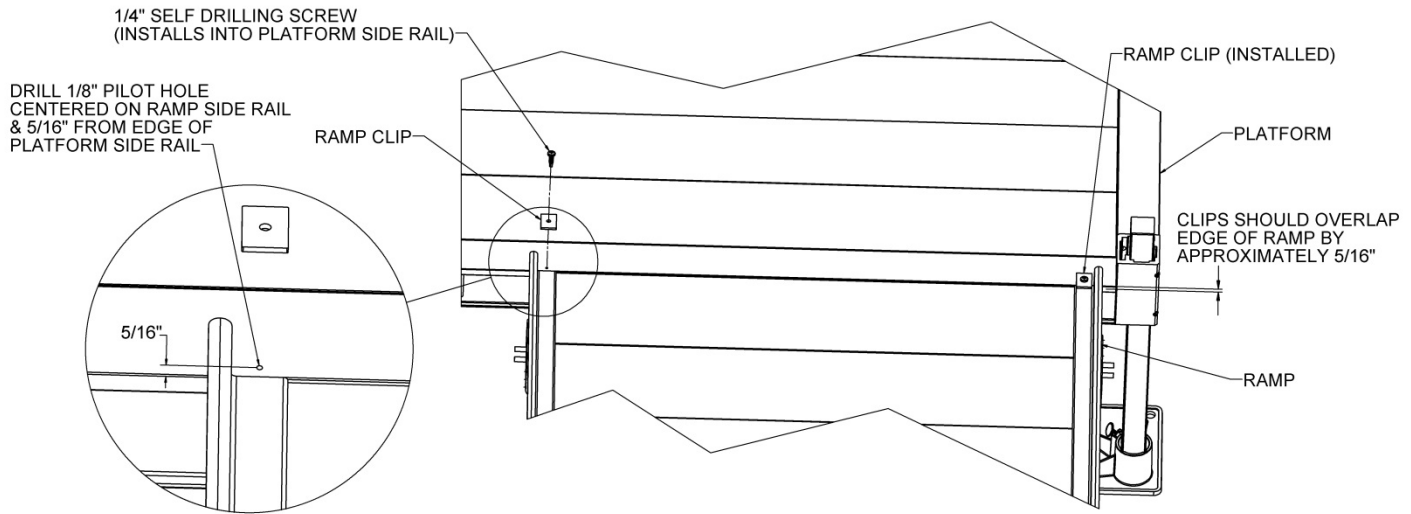


FIG. 5.1