



SB1  
Showerbuddy  
Owners Manual

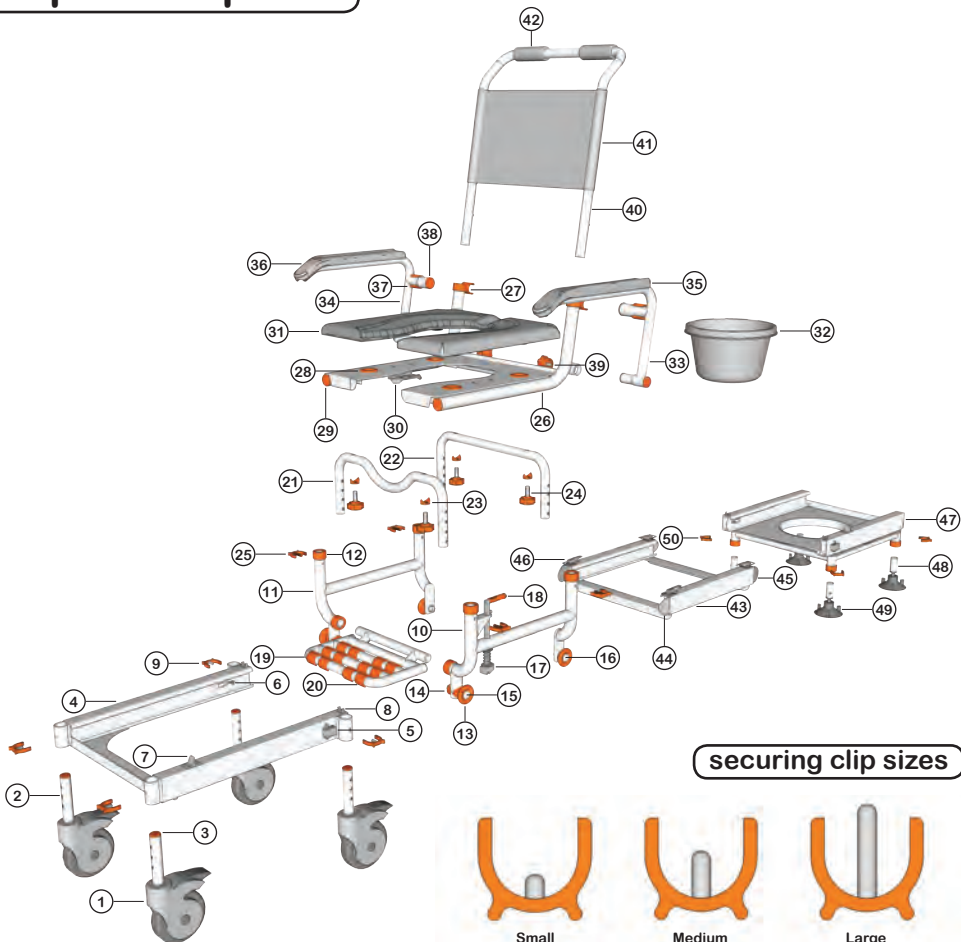
**showerbuddy™**  
elimination through innovation



# contents

<b>Exploded Parts</b> .....	<b>3</b>
<b>Parts List</b> .....	<b>4</b>
<b>Showerbuddy Assembly</b> .....	<b>5</b>
<b>Showerbuddy Setup</b> .....	<b>10</b>
<b>Showerbuddy Operation</b> .....	<b>14</b>
<b>Cleaning + Maintenance</b> .....	<b>19</b>
<b>Safety Information</b> .....	<b>20</b>
<b>Warranty Information</b> .....	<b>23</b>
<b>Registration Form</b> .....	<b>26</b>

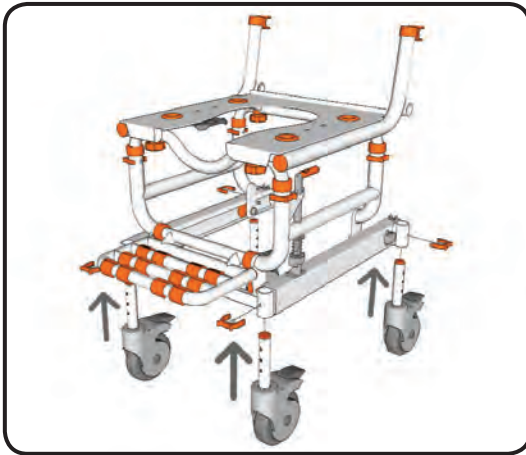
# exploded parts



See the exploded chair image for the location of parts.

- |   |                                       |    |  |
|---|---------------------------------------|----|--|
| ① | 5" Castor Wheel                       | ②6 | Seat Base                              |
| ② | Height Adjustment Tube (Castor Wheel) | ②7 | Arm Rest Clip                          |
| ③ | Tube Cap                              | ②8 | Cushion Connector                      |
| ④ | Rolling Track                         | ②9 | Tube Cap (32mm)                        |
| ⑤ | Secondary Brake (Left)                | ③0 | Commode Bucket Connector               |
| ⑥ | Secondary Brake (Right)               | ③1 | Cushion                                |
| ⑦ | Primary Brake Latch                   | ③2 | Commode Bucket + Lid                   |
| ⑧ | Latch Hook                            | ③3 | Arm Rest (Left)                        |
| ⑨ | Securing Clip (Medium)                | ③4 | Arm Rest (Right)                       |
| ⑩ | Base Leg (Left)                       | ③5 | Arm Rest Padding (Left)                |
| ⑪ | Base Leg (Right)                      | ③6 | Arm Rest Padding (Right)               |
| ⑫ | Leg Tube Cap                          | ③7 | Arm Rest Lock                          |
| ⑬ | Track Wheel                           | ③8 | Arm Rest Cap                           |
| ⑭ | Tube Washer (32mm)                    | ③9 | Arm Rest Knob                          |
| ⑮ | Track Wheel Axle (Front)              | ④0 | Back Rest Frame                        |
| ⑯ | Track Wheel Axle (Rear)               | ④1 | Back Rest Fabric                       |
| ⑰ | Primary Brake Lever                   | ④2 | Hand Grips                             |
| ⑱ | Primary Brake Handle Sleeve           | ④3 | Bridge                                 |
| ⑲ | Foot Rest (Seat Unit)                 | ④4 | Bridge Tongue (Long)                   |
| ⑳ | Foot Rest Grips                       | ④5 | Bridge Tongue (Short)                  |
| ㉑ | Height Adjustment Tube (Front)        | ④6 | Latch                                  |
| ㉒ | Height Adjustment Tube (Rear)         | ④7 | Shower Track                           |
| ㉓ | Tube Washer (25mm)                    | ④8 | Height Adjustment Tubes (Shower Track) |
| ㉔ | Fixing Knob                           | ④9 | Suction Cups                           |
| ㉕ | Securing Clip (Large)                 | ⑤0 | Securing Clip (Small)                  |

## step 1



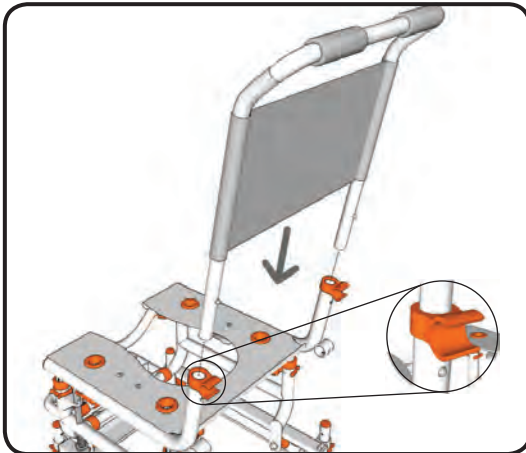
Insert each 5" castor wheel into the wheeled track.

Secure each castor wheel at the required height using 1 medium securing clip.

### NOTE

- Each height adjustment hole raises the wheeled track 1".
- Check to ensure all securing clips are fully inserted.
- Ensure all castor wheels are aligned at the same height.

## step 2



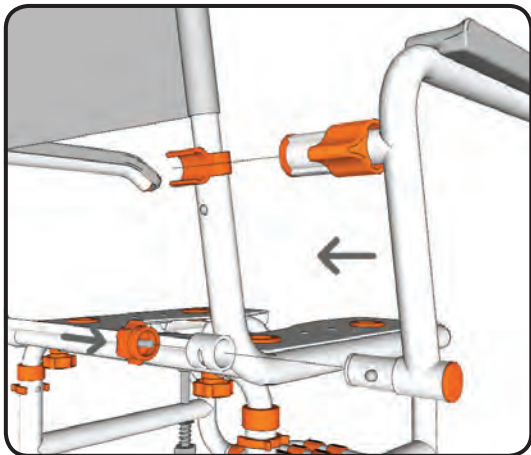
Insert the back rest frame into the seat base.

Slide the back rest frame into the seat base until the clip pins click into the holes on the seat base.

The clip pins secure the chair back frame in position.

### NOTE

- To remove the seat back press the clip pins in and slide the seat back out of the seat base.



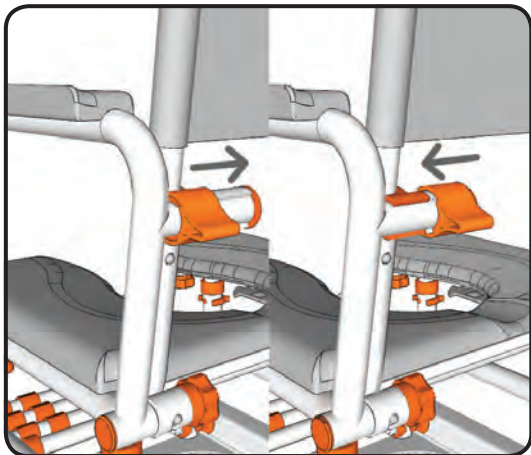
## step 3

Insert the arm rests into the sockets on the seat base until the clip pin clicks and locates the arm rests in position.

Screw the arm rest knob into the arm rest to firmly secure the arm rest in position.

Swing the arm rest forward so that it locks into position in the arm rest clip.

Slide the arm rest lock over the arm rest clip to lock the arm rest in position.



## step 4

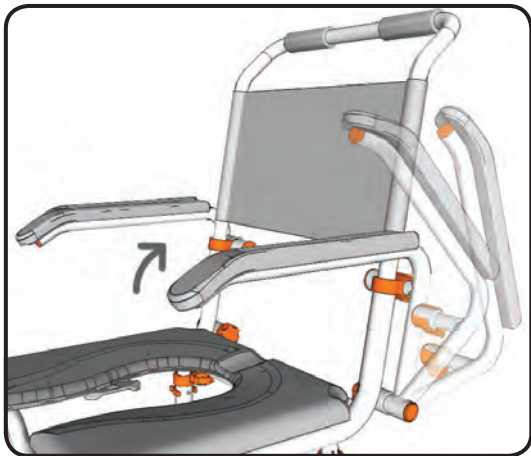
By sliding the armrest lock you can easily swing the armrest out of the way or secure the armrest in position.

To unlock the armrest slide the armrest lock away from the armrest.

To lock the armrest slide the armrest lock towards the armrest.

### NOTE

- The armrest locks should always be used when the armrests aren't in the swing-away position.

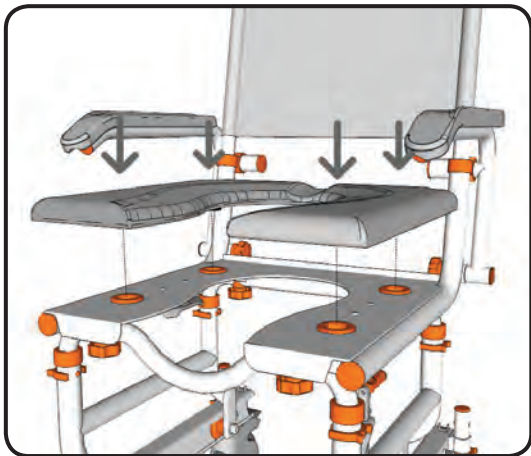


## step 5

The armrests can be easily swung-away when required.

Unlock the armrest by sliding the armrest lock away from the armrest. Once this is done the armrest can be swung away. The clip pin which secures the armrest in position stops the armrest from rotating too far.

**NOTE** - The armrest locks should always be used when the armrests aren't in the swing-away position.



## step 6

Ensuring the correct orientation attach the seat cushion to the seat base by pushing the 4 locating lugs on the underside of the cushion into the connectors on the seat base.

Firmly press the cushion into position so that the 4 locating lugs are securely located in the connectors.

### **NOTE**

- To remove the cushion, carefully remove one lug at a time from the connectors until all 4 locating lugs are removed.

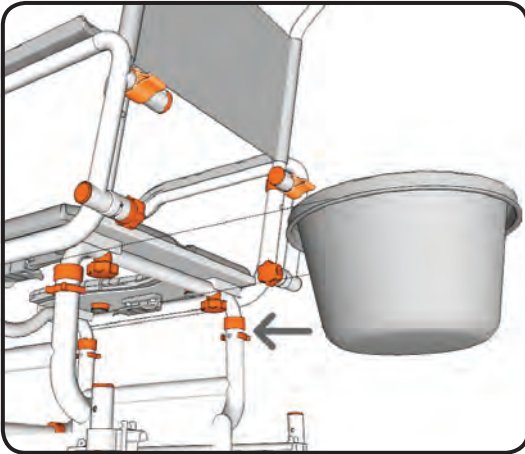


## step 7

Rotate the chair so that you have easy access to the underside of the seat base.

From the back of the chair slide the commode bucket into the 2 brackets on the underside of the seat base.

Ensure the commode bucket is pushed in far enough that the brackets securely hold the commode bucket in position. The commode bucket should be centred under the opening in the cushion.



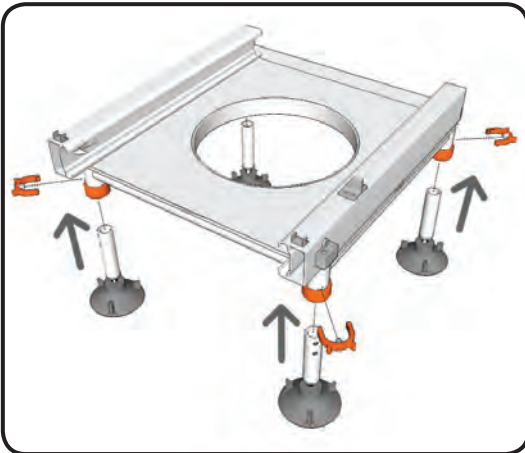
## step 8

Insert the suction cups into the shower track.

Secure each suction cup at the required height using 1 small securing clip.

### NOTE

- Each height adjustment hole raises the shower track 1".
- Check to ensure all securing clips are fully inserted. Ensure all suction cups are aligned at the same height.



## step 9

On the underside of the seat base there are 4 attachment points for the lap belt.

Unscrew the provided screws and washers from the front attachment points on the underside of the seat base.

Choose the attachment points you prefer for your lap belt.

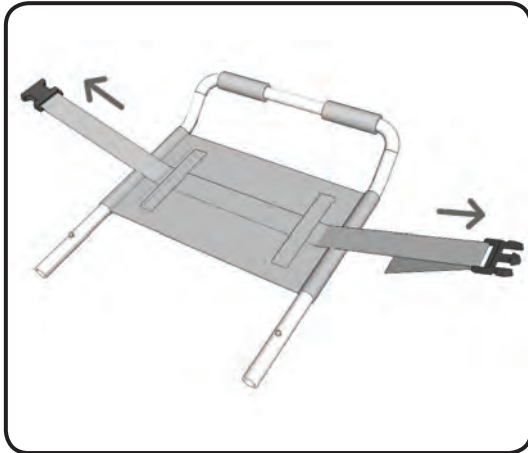
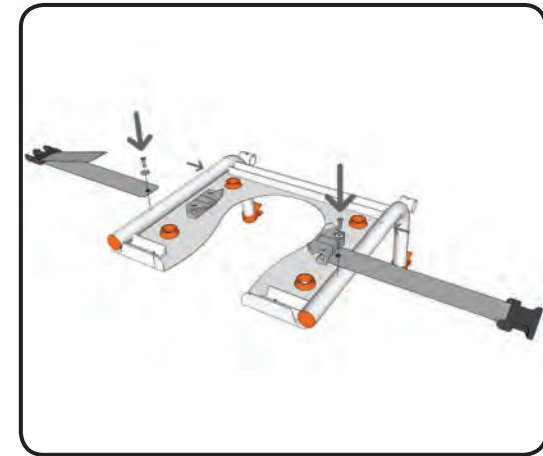
Slide the washer onto the screw and then insert through the grommet in the lap belt. Screw the lap belt securely into position.

## step 10

To attach the chest belt rotate the chair so that you have easy access to the back of the back rest.

Slide the chest belt through the 2 attachment loops on the back rest.

Before use adjust the length of the chest belt to suit the user.



## step 1

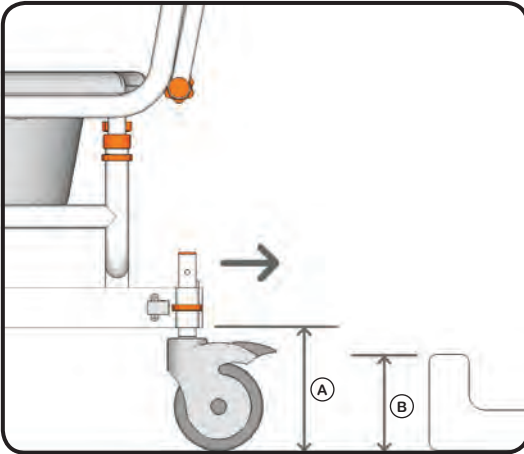
Align the back of your chair with the threshold of your shower.

Check to ensure that the height of the bottom of the wheeled track (A) is higher than the shower threshold (B).

If required the height of the wheeled track can be raised or lowered depending on the shower threshold height.

### NOTE

- Each height adjustment hole raises the wheeled track 1".



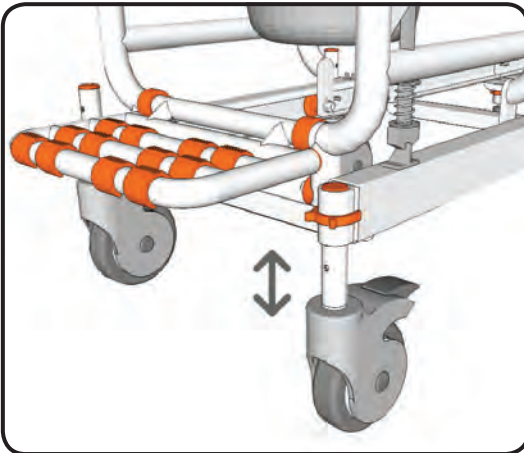
## step 2

If the bottom of the wheeled track needs to be raised to clear the shower threshold adjust the height of the castors.

To do this remove the medium securing clips from each castor. Adjust the height of the wheeled base to the required height and replace the medium securing clips.

### NOTE

- Each height adjustment hole raises the wheeled track 1".
- Check to ensure all securing clips are fully inserted.
- Ensure all castor wheels are aligned at the same height.



## step 3

Place the shower base into your shower stall.

Firmly press downwards on the shower base to ensure the suction cups securely hold the shower base in position.

### NOTE

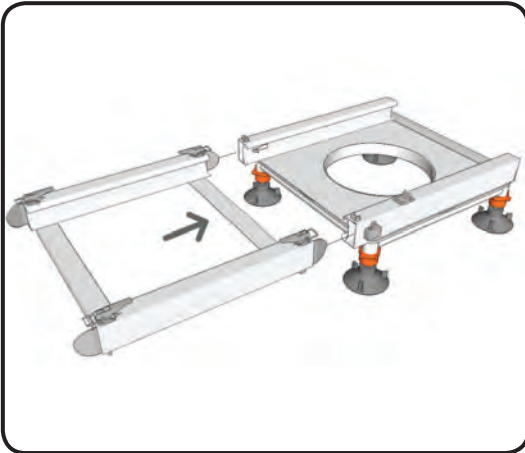
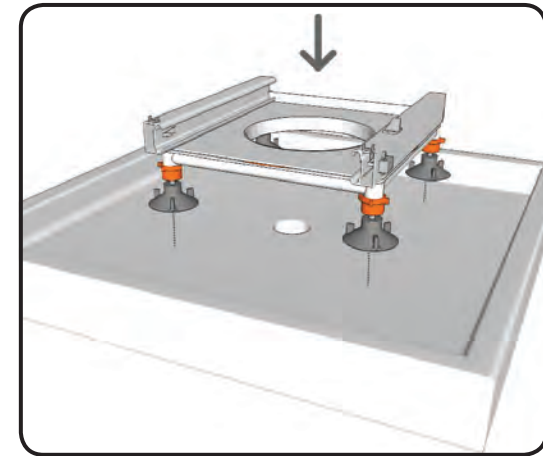
- When positioning the shower base ensure it is located so there is enough room to allow the chair to rotate freely. Ensure the position of the shower base allows the chair to transfer without hitting the shower door or any other obstructions.

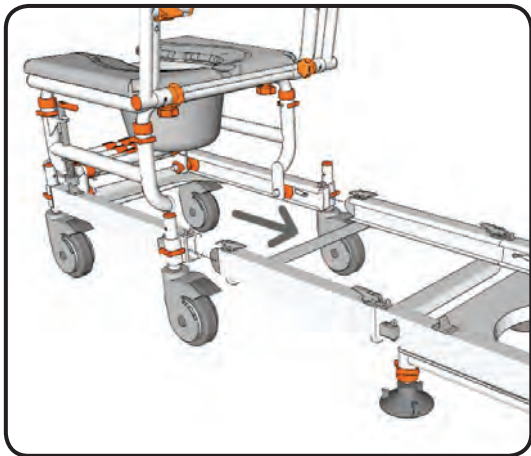
## step 4

Align the bridge with the shower base and insert the tongues into the shower base.

Firmly push the tongues on the bridge into the shower base so the secondary brakes are pushed out of the way.

Secure the bridge to the shower base using the 2 latches on the top of the bridge track.



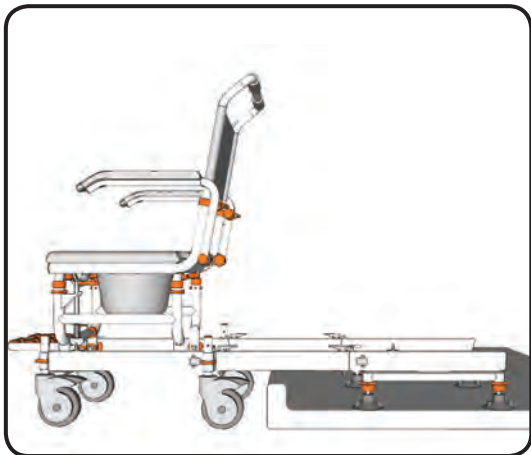


## step 5

Align the back of your chair with the bridge which is connected to the shower base.

Firmly push the wheeled base onto the tongues on the bridge so the secondary brakes are pushed out of the way.

Secure the bridge to the wheeled base using the 2 latches on the top of the bridge track.



## step 6

The wheeled base, bridge and shower base should now be securely connected together using the latches.

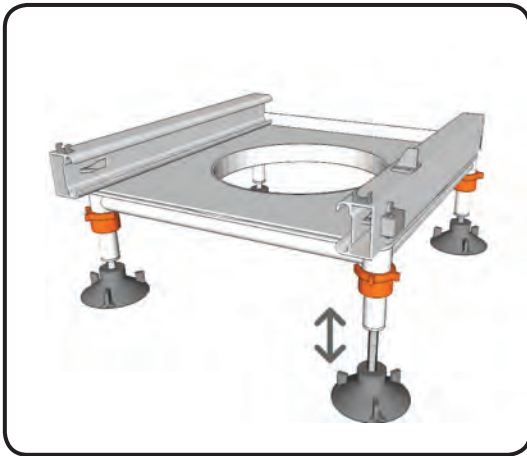
Before continuing with the setup it is important to ensure that the tracks are level horizontally.

## step 7

If the tracks are not level horizontally, adjust the height of the shower base until the tracks are level.

To do this screw the thread on the suction cups up or down depending on which way the height needs to be adjusted.

**NOTE** - There is warning paint on thread to indicate when the thread is extended to the maximum safe operating length. Do not unscrew the thread past this.

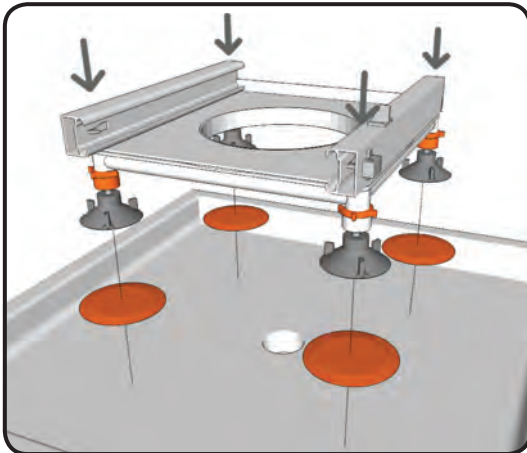


## step 8

If you have difficulty securing the suction cups to your shower base. This may be because your shower base has a rough surface or the required position for the suction cups is over the gap between tiles.

To solve this problem fix the 4 orange discs, which are provided with your chair to the base of your shower. Ensure these are spaced the same distance apart as the suction cups.

After fixing the discs to the shower base, locate the suction cups on the discs and firmly press downwards on the shower base to ensure the suction cups securely hold the shower base in position.



## step 1

Wheel your Showerbuddy to your shower.

Securely attach the bridge to the shower base using the latches. Next securely attach the bridge to the wheeled base using the latches.

### NOTE

- Ensure all latches securely 'snap' into the locked position. Ensure you lock all castor wheels before beginning the transfer. Never attach the bridge to the shower base without the wheeled base attached.

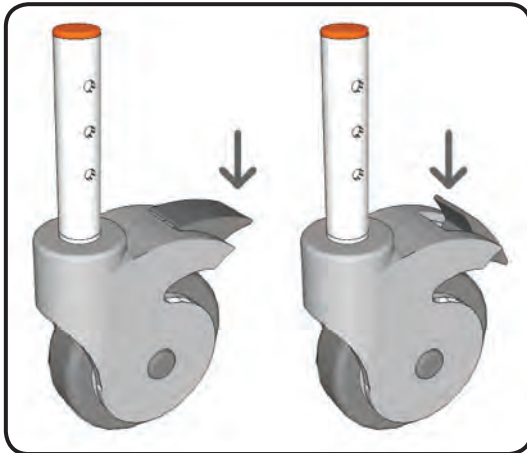
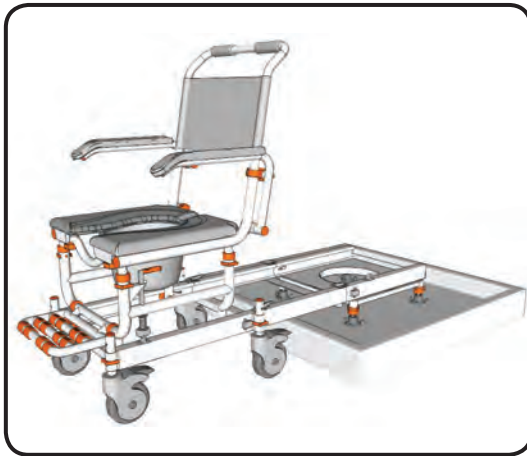
## step 2

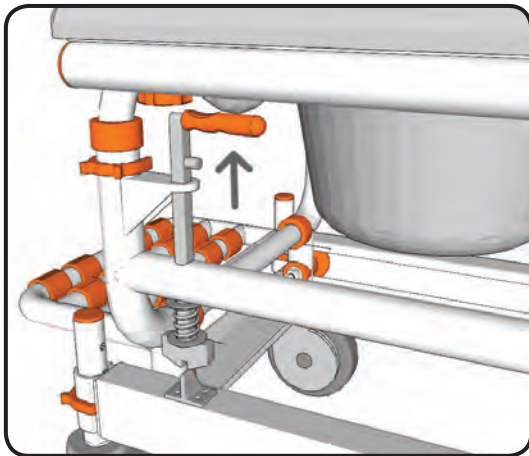
To lock the castor wheels press down firmly on the end of brake with your foot. This will lock the castor so that it will not move or rotate.

To unlock the castor wheels press down firmly on the front of the brake with your foot. This will allow the castor to move freely again.

### NOTE

- The castor wheels should always be locked when performing transfers. The castor wheels can be rotated forward to make the chair more stable.





## step 3

With your Showerbuddy assembled you are now ready to transfer the chair into the shower.

Lift and hold the primary brake lever located on the right side of your Showerbuddy to release the chair.

Once the chair has begun transferring you can release the primary brake lever. The lever will drop back into the correct position.

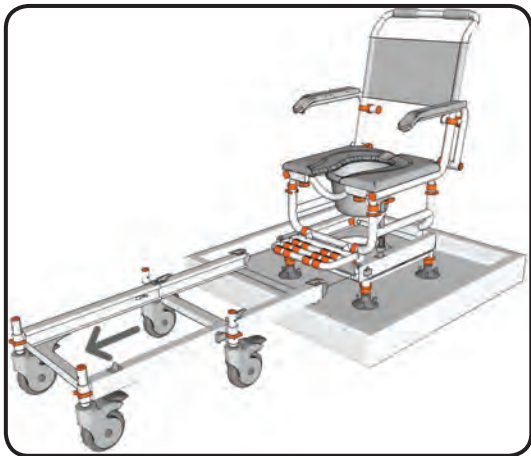


## step 4

Transfer your Showerbuddy from the wheeled base onto the shower base.

Ensure the chair is transferred all the way onto the shower base and primary brake clicks to secure the chair in position.





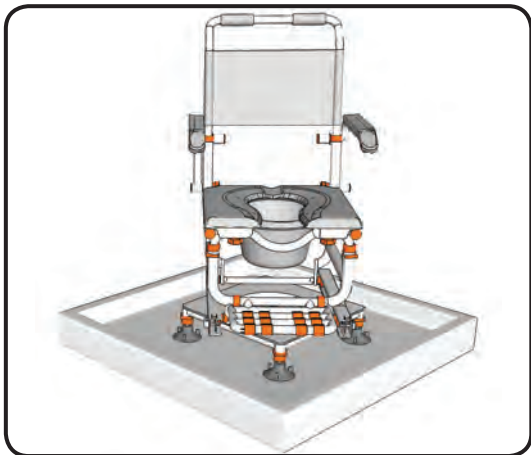
## step 5

With your Showerbuddy secured in position on the shower base remove the bridge and wheeled base.

Release the latches which connect the bridge to the shower base and roll the wheeled base and bridge away. If space is limited release the latches on the bridge to remove the bridge from the wheeled base.

### NOTE

- Never attach the bridge to the shower base without the wheeled base attached.



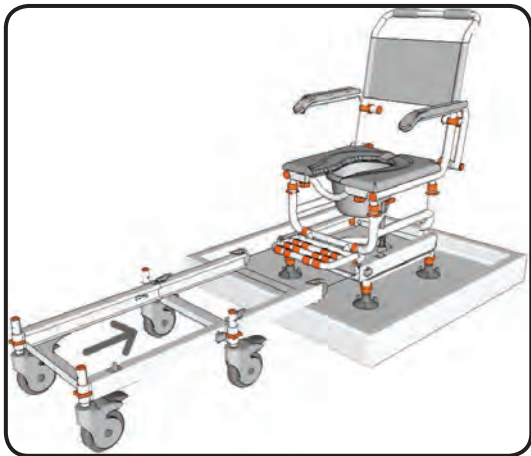
## step 6

Once the transfer to the shower base is complete and the chair is secured in position you can rotate your showerbuddy.

Hold the seat back and the front of the cushion and push to rotate the chair on the shower base.

### NOTE

- The chair will rotate a lot easier once the shower base is wet.



## step 7

Rotate the chair so that you can connect the bridge to transfer your showerbuddy back to the shower base.

Reconnect the bridge to the shower base and secure in position with the latches. Reconnect the wheeled base to the bridge and secure in position with the latches.

### NOTE

- Ensure all latches securely 'snap' into the locked position.
- Ensure you lock all castor wheels before beginning the transfer.
- Never attach the bridge to the shower base without the wheeled base attached.



## step 8

Transfer your Showerbuddy from the shower base onto the wheeled base.

Ensure the chair is transferred all the way onto the wheeled base and primary brake clicks to secure the chair in position.

### NOTE

- Ensure all latches securely 'snap' into the locked position.
- Ensure you lock all castor wheels before beginning the transfer.

## step 9



Ensure the primary brake securely locks your Showerbuddy in position on the wheeled base before disconnecting the bridge.

Unlock the brakes on the castor wheels. Release the latches which connect the bridge to the wheeled base and roll the wheeled base away.

# cleaning + maintenance

It is recommended that your shower chair is serviced annually by your Showerbuddy Dealer or an authorised, competent service agent, in addition:

1. Regularly inspect all parts of the chair for defects. Any defective part should be removed promptly.
2. Clean the seat using a damp cloth and a mild cleanser. Always read the manufacturers instructions prior to applying the cleanser.

When using Sodium Hypochlorite (Bleach) on the seat, a solution of 0.1% Sodium Hypochlorite should have no adverse effects on the cleaning of chairs. However, when using a solution of 1.0%, care should be taken to rinse the chairs thoroughly with clean water after application. Over a period of time bleaching may occur, but the integrity of the product will remain unaffected.

3. Dry off the shower chair after use.
4. Do not oil or grease any parts.
5. Keep the castors free from lime scale, soap residue and hair by cleaning after use in the shower.

## Caring for stainless steel.

Stainless steel has excellent corrosion resistance, but it is not stain or rust proof. Regular maintenance will keep stainless steel clean and free of contaminants. In most applications stainless steel will not rust or stain even after many years of service, but when used in certain environments such as concentrated chlorine or other corrosive elements stainless steel requires proper care and maintenance. Do not leave stainless in contact with iron, steel or other metals.

1. Clean stainless steel frequently with soap and water. Any cleaner safe for glass is usually safe for stainless steel; apply with a cotton cloth.
2. Use a coating such as a good wax to help safeguard the stainless steel.
3. Remove discolouration or rust spots as soon as possible with a brass, silver or chrome cleaner. Irreversible pitting will develop under rust that remains on stainless steel for any period of time. Apply a mild cleaner such as Ajax or an equivalent with a wet cotton cloth in the direction of the grain of the finish. Rinse thoroughly and wipe dry. Do not use abrasives such as sandpaper or steel wool on stainless steel.
4. Do not clean with mineral acids or bleaches.
5. Do not store near any chlorine product.

# safety instructions

## Safety Warning!

Failure to comply with these safety instructions may result in injury or damage!

It is important that the user(s), and/or the caregivers of the user(s), learn how to safely operate the Showerbuddy shower chair.

The following must be read before use of the Showerbuddy shower chair to ensure the safe operation of your Showerbuddy shower chair:

The User(s) Manual must be read and understood before using the Showerbuddy shower chair. If you don't understand any parts of the User(s) Manual, clarification should be sought prior to using the product.

For further clarification of any part of the Showerbuddy User(s) Manual call your local dealer or visit the website below.

[www.showerchairs.co](http://www.showerchairs.co)  
[www.myshowerbuddy.com](http://www.myshowerbuddy.com)

Transfers to and from the Showerbuddy shower chair can be dangerous. Consult a physical or occupational therapist to ensure safe and reliable transfer techniques are practiced. Individuals who have not learned these skills must have assistance during transfers.

Do not use the Showerbuddy shower chair for any application outside of the manufacturers intended use, this can result in damage to the shower chair and components. Not complying with the manufacturer's instructions can result in injury to the user(s) or caregiver. Showerbuddy will not be held responsible for any injury or damage resulting from the misuse or inappropriate operation of the Showerbuddy shower chair.

If any part of the Showerbuddy shower chair requires maintenance please don't hesitate to contact your dealer. Any problems that could affect the safe operation of the chair **MUST** be attended to immediately.

## Safety instructions:

The **MAXIMUM** weight of any Showerbuddy shower chair user(s) is: 350lbs (160kg)

**ALWAYS** ensure that your Showerbuddy shower chair is capable of maneuvering over the surfaces that will be encountered during day to day use, prior to operating the shower chair with any user(s).

**ALWAYS** lock the Showerbuddy shower chair 5” castor wheels when the chair is stationary. To do this step-on the levers which activates the wheel locks.

**DO NOT** lean forward or sideways out of the Showerbuddy shower chair as this may cause the chair to tip.

**DO NOT** wheel the Showerbuddy shower chair down an incline without a caregiver who can control the chair during its descent.

**DO NOT** use the Showerbuddy shower chair castor wheel locks as brakes when travelling down inclines.

**DO NOT** position the Showerbuddy shower chair sideways on a slope as this could cause it to tip.

## **Important!**

Although every effort has been made by the Showerbuddy team to ensure the stability of the Showerbuddy shower chairs during use, it is important to recognize that the most dangerous part of using any shower chair is the transfer. If you are unsure of how to perform transfers in a way that can be repeatedly performed safely, then contact a physical or occupational therapist who is familiar with transfer techniques and options.

The wheel locks on the castors are designed to prevent the castor wheels from rotating when the shower chair is stationary in use. These **DO NOT** and **CANNOT** prevent the wheels from sliding if the floor is slippery. A slippery floor can be caused by dust, water, soap or any substance that doesn't allow the tires (tyres) to grip. **Transfers should never be attempted with the Showerbuddy shower chair positioned on slippery surfaces** since the wheel locks can only prevent the wheels from rotating. It is recommended that transfers be performed on clean, dry non slippery surfaces.

**Transferring onto a Showerbuddy Shower Chair** – always lock all castors in their outward position (front castors positioned in the forward and out position / rear castors positioned to the rearward and out position) for maximum chair stability.

Never use the foot rests to assist with transfers. This could cause the chair to tip forward. The footrests should be swung away or removed entirely during transfers to provide unobstructed access to the shower chair.

The fasteners – the nuts, bolts, washers – should be checked periodically to ensure that they are securely fastened. All nuts used on your Showerbuddy shower chair are lock nuts. Lock nuts that are removed for any reason should be replaced rather than re-used. Your dealer should be called to check the fasteners and other components at least once per year.

All Showerbuddy shower chairs are supplied with chest and lap restraining straps which ensure the correct and safe operation of the shower chair for both the user(s) and the caregiver. It is important that these straps are used every time the shower chair is operated. Please contact your local dealer for a detailed list of straps available as optional accessories. Your Showerbuddy shower chair is equipped with fitting points so that these can be easily and effortlessly attached.

## **Important!**

### **ADJUSTMENTS SHOULD NEVER BE ATTEMPTED WITH THE USER(S) IN THE CHAIR!**

Your authorized Showerbuddy dealer can help you with any adjustments you may want to make on your Showerbuddy shower chair or can provide clarification on any of the information contained herein.

All castor wheel shafts must be adjusted to the same height. Never attempt to change the frame angle by changing the castor position. If the castor wheels are uneven this will cause the chair's stability to be compromised and may result in tipping.

# warranty information

## 2 Year Limited Warranty

Showerbuddy warrants our Showerbuddy Transfer Systems and all Showerbuddy products for two years from the date of purchase by the consumer. The warranty will only become active once the consumer submits the warranty registration card to the company with a copy of the purchase receipt. This warranty covers any defects in materials and workmanship on all Showerbuddy products except those listed in the Warranty Exclusion below:

### Warranty Exclusions

- Product or parts failure from normal wear and tear
- Damage caused by failure to adhere to the Owner's Manual
- Damage from improper installation, use or repair
- Brake line that operates the handbrake / tilt mechanism on tilting chairs (SB2T and SB3T)
- Improper use of the hand ratchet that is used in adjusting the neck support / adjustment
- Seat cushions and arm rests

### Limitations

- The warranty is VOID if the original serial number tag is removed or altered
- The warranty is VOID if the unit sustains damage from unnatural causes
- The warranty is VOID if the unit is used to hold more than the weight limit of 350lbs (160kg)
- The warranty is VOID if the unit has been subjected to neglect, improper maintenance, storage, cleaning or operation as defined in the Owner's Manual
- The warranty is VOID if the unit is modified without Showerbuddy's written consent
- This warranty applies to the original purchaser only, from the date of the purchase, provided a registration card has been submitted to the company within 60 days of purchase.

### Your Responsibilities

- If your unit requires warranty service, please contact the dealer from which you purchased the Showerbuddy unit.
- If you do not receive satisfactory dealer service, contact Showerbuddy at the address below.
- Do not return the unit to Showerbuddy without first obtaining a Return Authorization Number from Customer Service
- A defective unit must be shipped to Showerbuddy within 14 days of issuance of a Return Authorization Number by Customer Service



## **Our Responsibilities**

- Showerbuddy's sole responsibility is to repair or replace, at our discretion, the covered components of the unit. This is the exclusive remedy for consequential or incidental damages.
- Upon pre-approval, Showerbuddy may provide exchange services for Warranty returns. Under this program, a refurbished Showerbuddy unit may be shipped after the return of the defective unit. The exchange unit may contain used parts that meet Showerbuddy quality standards. This program is provided at the sole discretion of Showerbuddy. The original warranty term will not be extended due to such a unit exchange and a return unit will become the property of Showerbuddy.

## **For all USA & Canada Warranties**

Register online at: [www.myshowerbuddy.com/resources/register](http://www.myshowerbuddy.com/resources/register)

Or you can fax or email it to us.

**Showerbuddy LLC**  
12405 Montague Street  
Pacoima, CA 91331  
U.S.A

Email: [info@myshowerbuddy.com](mailto:info@myshowerbuddy.com)  
Phone: (877) 7MY-BUDDY (769-2833)  
Fax: (888) 312-3645

## **For all Other Countries Warranties**

Register online at: [www.showerchairs.co/resources/register-product](http://www.showerchairs.co/resources/register-product)

Or you can email it to us.

**Showerbuddy Global Limited**  
PO Box 494  
Waikanae 5250  
New Zealand  
Email: [info@showerbuddy.co.nz](mailto:info@showerbuddy.co.nz)  
Phone: (+64) 21 449-806



# registration form



**Register your Showerbuddy**  
Thank you for purchasing a Showerbuddy product!!

## About You

Salutation

Name

First

Last

Your Date of Birth

Month

Day

Year

Address

Street Address

City

State / Province

Zip / Postal Code

Country

Phone

Email

## About Your Product

Type of Product Purchased

Serial Number of Product

Under the Seat

Name of Dealer You Purchased From



Please send your completed Registration Form to one of the addresses below.

**For all USA & Canada Warranties**

Register online at: [www.myshowerbuddy.com/resources/register](http://www.myshowerbuddy.com/resources/register)

Or you can fax or email it to us.

**Showerbuddy LLC**  
12405 Montague Street  
Pacoima, CA 91331  
U.S.A

Email: [info@myshowerbuddy.com](mailto:info@myshowerbuddy.com)  
Phone: (877) 7MY-BUDDY (769-2833)  
Fax: (888) 312-3645

**For all Other Countries Warranties**

Register online at: [www.showerchairs.co/resources/register-product](http://www.showerchairs.co/resources/register-product)

Or you can email it to us.

**Showerbuddy Global Limited**  
PO Box 494  
Waikanae 5250  
New Zealand

Email: [info@showerbuddy.co.nz](mailto:info@showerbuddy.co.nz)  
Phone: (+64) 21 449-806









**USA & Canada Enquires**

**Showerbuddy LLC**  
12405 Montague Street  
Pacoima, CA 91331  
U.S.A  
Email: [info@myshowerbuddy.com](mailto:info@myshowerbuddy.com)  
Phone: (877) 7MY-BUDDY (769-2833)  
Fax: (888) 312-3645

**[www.myshowerbuddy.com](http://www.myshowerbuddy.com)**

**International Office**

**Showerbuddy Global Limited**  
PO Box 494  
Waikanae 5250  
New Zealand  
Email: [info@showerbuddy.co.nz](mailto:info@showerbuddy.co.nz)  
Phone: (+64) 21 449-806

**[www.showerchairs.co](http://www.showerchairs.co)**



**Designed in  
New Zealand**



All ShowerBuddy products are CE, TUV, ISO9001 and TGA (Australian Government Department of Health and Ageing Therapeutic Goods Administration) certified.

Copyright © 2009 by Showerbuddy Global Limited, PO Box 494, Waikanae, 5250, New Zealand.

e: [info@showerbuddy.co.nz](mailto:info@showerbuddy.co.nz), t: +64 21 449 806.

All rights reserved