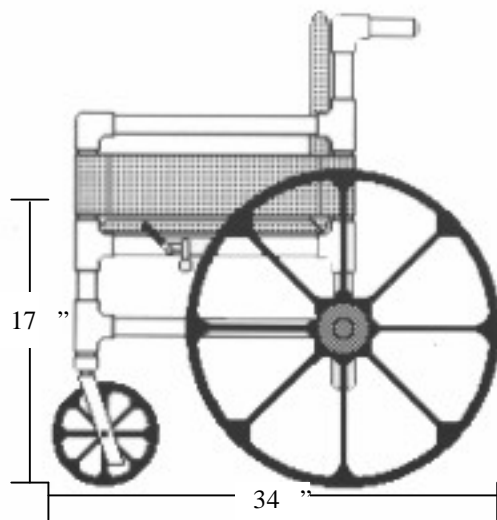
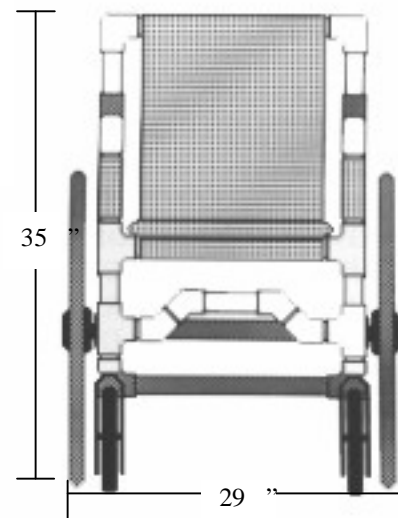


## AquaTrek Wheel Chair (AQ-350-WC)



**Specifications**  
Height: 35 "  
Length: 34 "  
Width: 29 "  
Weight: 40 lbs



- **Durable and Lightweight**
- **7 & 24 inch Mag Wheels**
- **Totally Submersible**
- **Safe & Comfortable**
- **Stainless Steel Fasteners**
- **Stainless Steel Axle**
- **Full One-Year Warranty**
- **Stainless Steel Hand Rings**
- **Swing Arm**
- **Retractable Foot Rest**
- **Additional Options Available**
  - **Seat Belt**
  - **Shoulder Harness**

The **AQUATREK CHAIR** is designed for use in and around water. Its unique design allows full usage in swimming pools, spas and showers. Its construction from PVC plastic and stainless steel fasteners makes it both durable and non-corrosive.

***WHEEL CHAIR CAN BE CONFIGURED TO MEET THE REQUIREMENTS OF THE NATIONAL CENTER ON ACCESSIBILITY. JUST SPECIFY WHEN ORDERING!***