

freedom through lightweight solutions



**Mangar Inc.**

3020 Legacy Dr.  
Suit 100-301  
Plano, TX 75023

tel: 1-800-901-5269

[www.mangarusa.com](http://www.mangarusa.com)

Mangar International  
Presteigne  
Powys  
LD8 2UF  
Wales, UK

tel: +44(0)1544 267674

fax: +44(0)1544 260287

ME0057 issue 3  
(USA & Canada)



user instructions and warranty

**archimedes**

freedom

through lightweight solutions

The Archimedes by Mangar International, is a light weight battery powered actuator driven bathlift, designed to be easily operated. The Archimedes will give many years of trouble free bathing, requiring only routine cleaning and battery recharging.

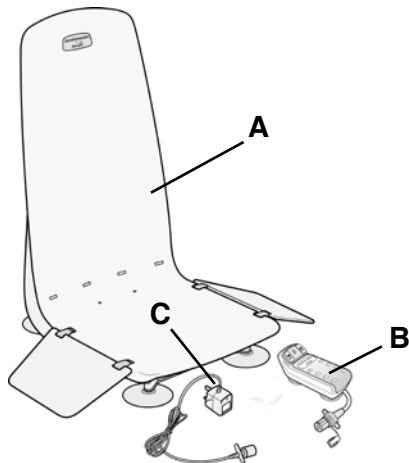


## WARNINGS

- Ensure that you have read and fully understand these instructions before attempting to operate the Archimedes.
- The Archimedes should only be used as a bathing aid, NEVER use it out of a bathtub.
- Ensure that the suction cups adhere firmly to the bath before use.
- The Archimedes is designed to go as low as possible in the bathtub. In bathtubs with exceptionally narrow or curved sides/bases, it may be unsuitable. Always check that the seat section is free to lower to its full extent and rise again freely. Be certain that it is positioned correctly before use.
- Do not allow the Archimedes to lie on its back in the bath water.
- Ensure that the transfer flaps will be clear of any obstructions, such as bath handles and soap dishes, as the seat section is raised. **NOTE:** To avoid flaps becoming caught under bathtub handles, fit the supplied Flap Guards.
- Only recharge the battery with the Mangar International battery charger supplied with the Archimedes.
- NEVER recharge the battery in the bathroom, outdoors or in a damp environment.
- Do not use in the presence of flammable anaesthetic mixtures with air, oxygen or nitrous oxide.
- Do not operate the actuator when it is disconnected from the base.
- Do not use the Archimedes as a support to steady yourself when cleaning the bathtub or when reaching into the bathtub to retrieve items.
- If the Archimedes causes electrical interference with another piece of electrical equipment, move the equipment further apart until the interference stops.

## CONTENTS

Standard Contents	Pg 3
Getting Started	Pg 3
Fitting the Archimedes in the bathtub	Pg 4
Hand Control	Pg 4
Battery State Indicator	Pg 4
Using the Archimedes	Pg 5
Removing the Archimedes from the bathtub	Pg 5
Battery Charging	Pg 6
Cleaning	Pg 6
Storage	Pg 6
Maintenance	Pg 7
Fault Finding	Pg 7
Specifications	Pg 7
Parts List	Pg 8
Symbols used on labels and instructions	Pg 9
Warranty	Pg 10



### Standard Contents

- 1 x Archimedes Bathlift (inc. two transfer flaps) (A fig.1).
- 1 x Sealed Hand Control (B).
- 1 x Battery charger (C).
- 2 x Flap Guards (with instructions).
- 1 x User Instructions.

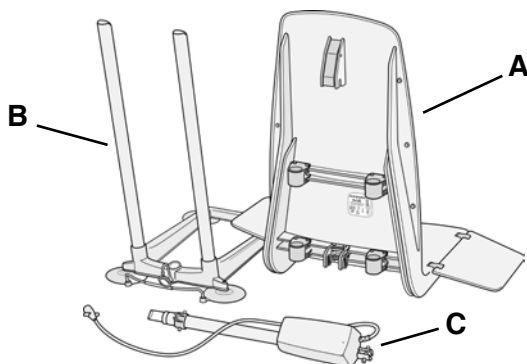
### Getting Started

**Unpacking** - Remove the contents from the packaging and check them to make sure that no damage has been caused during transit. If it has, contact your supplier immediately.

①

**Battery** - This must be put on charge before using your Archimedes for the first time as follows:

- Connect the hand control to the battery charger and plug the charger into a power supply OUTSIDE THE BATHROOM and allow the battery to charge overnight (see "Battery Charging").

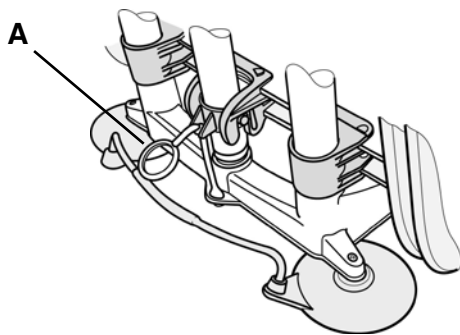


②

**Seat and base sections** - The Archimedes can be easily separated into three sections (fig.2).

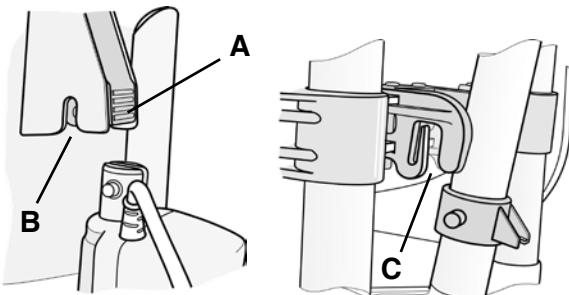
- Seat section (A)
- Base section (B)
- Actuator (C)

**To separate the seat from the base section and actuator:**



③

- Fully lower the seat and fold the transfer flaps onto the seat.
- Release the transit tie (A fig.3) by pulling up the 'O' ring and lifting the ball clear of the slot in the locating collar on the actuator.
- Press the lower part of the latch at the back of the seat (A fig. 4) and lift the seat sufficiently to allow the actuator to disengage itself from the slot (B) and the actuator locator bracket (C). The actuator can now be removed from the base section.
- Lift the seat section clear of the base section.
- Reassemble in the reverse order. Do not re-attach the transit tie unless you are intending to carry the assembled Archimedes.

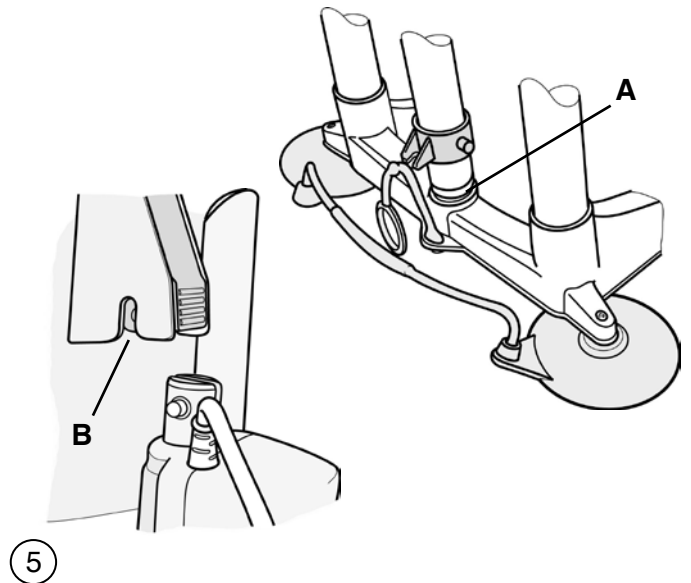


④

The transit tie should only be re-attached to the back of the seat section in order to keep both the seat and base sections together whilst carrying the Archimedes.

**Fitting the Archimedes in the bathtub**

- Before placing the Archimedes in a bathtub, check that the surface where the suction cups will be sitting is clean and free from bath oil and cleaning residue. Remove anti-slip matting from this area. **WARNING:** The suction cups may not adhere properly on textured and non-slip areas of a bathtub.
- Remove the actuator and seat section from the base (see “Getting Started”). Moisten each of the suction cups and place the base section as close to the back slope of the bathtub as possible. Reposition the actuator in the socket at the back of the base unit (**A** fig.5).
- Fold the transfer flaps onto the seat and slide the seat section onto the base section. Position the top end of the actuator into the slot in the latch (**B**) at the back of the seat section and make sure that it ‘clicks’ into place.
- Plug the hand control into the actuator cable and fasten the retaining clip (**A** fig 6).



5

**Hand Control**

The hand control is a completely sealed unit containing a rechargeable battery and battery state indicator light; it contains no user serviceable parts. DO NOT attempt to open.

**Battery State Indicator**

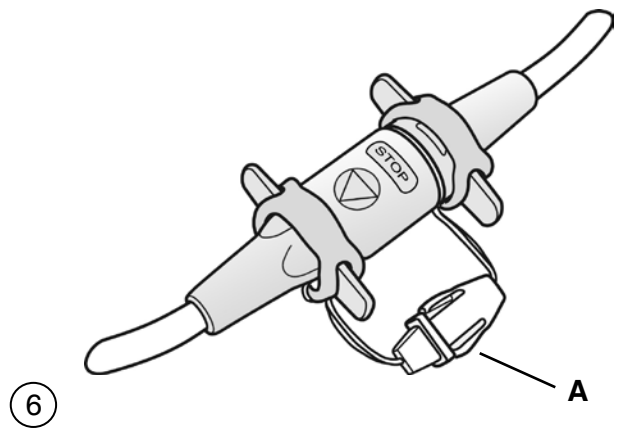
When either the ‘Up’ or ‘Down’ buttons are pressed, the indicator light (**A** fig.7) shows the state of the battery as follows:

**GREEN** - OK to use.

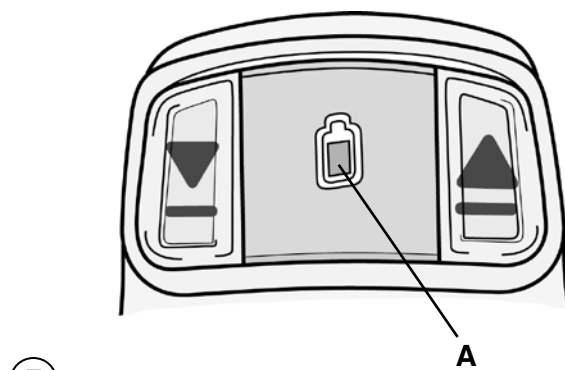
**FLASHING GREEN** - OK to use but the battery needs to be recharged after this bath.

**RED** - The battery needs recharging before use. The seat will not lower. **NOTE:** The microprocessor in the hand control will not allow the seat to be lowered if it detects that there will not be enough battery power to raise it again.

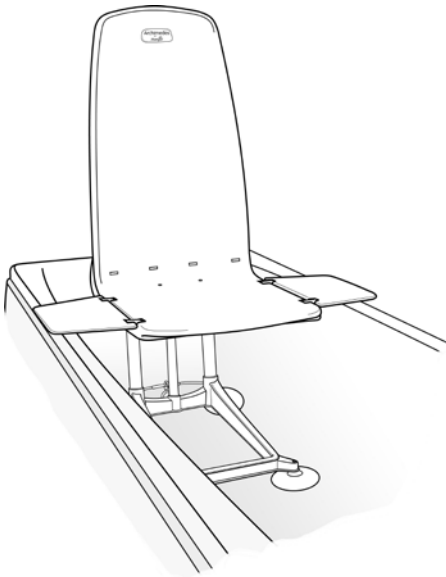
The battery is not replaceable. When it reaches the end of its working life, indicated by failure to accept or retain charge (frequently showing red on the battery state indicator), the complete hand control will need to be replaced with a new one. It should be returned to your supplier for safe disposal. DO NOT dispose of the hand control with your normal household trash. Batteries should be disposed of in accordance with local regulations.



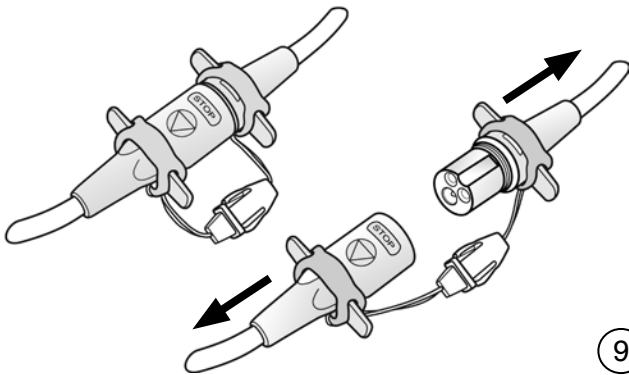
6



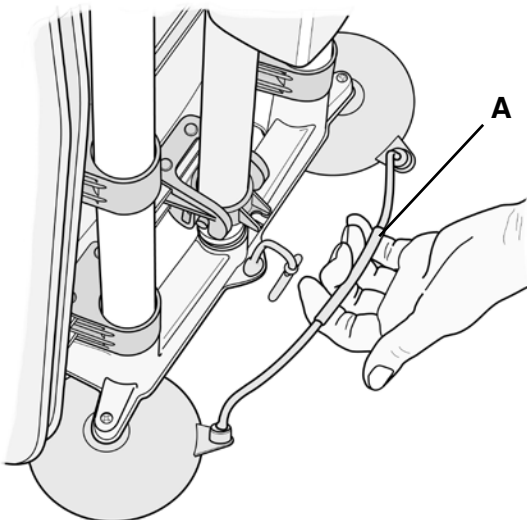
7



8



9



10

### Using the Archimedes

- Press the 'Up' button on the hand control to raise the seat.
- Release the 'Up' button when the seat is level with the edge of the bathtub. **NOTE:** Make sure that the transfer flap is level with and supported on the edge of the bathtub (fig.8) before transferring.
- Sit on the flap and transfer across onto the seat.
- Press the 'Down' button to lower yourself. Releasing the button at any point will stop the seat.
- To raise the seat, press the 'Up' button. Release the button when the transfer flap is level with and supported on the edge of the bathtub.

**WARNING:** In an emergency, the seat movement can be stopped at any time by disconnecting the hand control by pulling it away from the actuator lead (fig.9).

**NOTE:** Releasing the 'Up' or 'Down' buttons at any time will also stop the seat movement.

### Removing the Archimedes from the bathtub

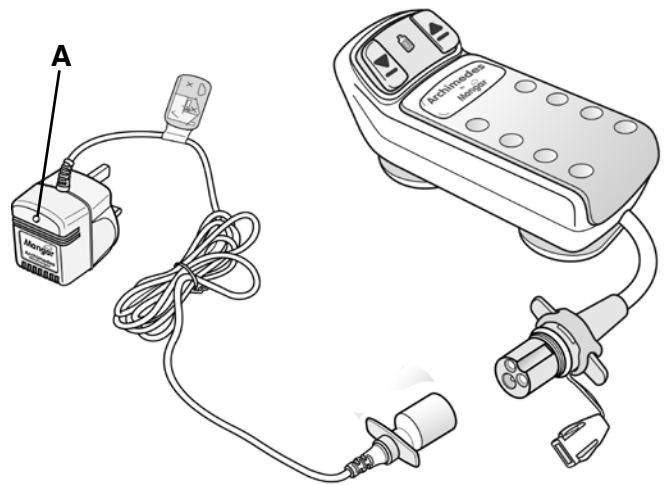
- Fully lower the seat.
- Fold the transfer flaps onto the seat.
- Press the latch at the back of the seat (see **A** fig.4) and lift the seat clear of the base and place it on the bathroom floor.
- Lift out the actuator from the base section.
- Lift the suction cup release handle at the back of the base section (**A** fig.10) and tilt the base forwards by pushing on the guide bars.
- Continue tilting the base forwards. This will automatically release the suction on the front suction cups and the base section can then be lifted from the bathtub. **NOTE:** DO NOT use the suction cup release handle (**A**) to tilt or lift the base section. NEVER attempt to release suction on the rear suction cups by pulling on the guide bars.

### Battery Charging

- Disconnect the hand control from the actuator.
- Connect the hand control to the battery charger (fig.11).
- Plug the battery charger into a power supply outside of the bathroom and switch on. The green light on the charger (**A**) will light up to indicate that the charger is properly connected and charging.

**NOTE:** The green light may dim and eventually go out as the battery reaches full charge.

When the battery needs recharging, the hand control should be left on charge over night. The hand control can be left on charge continuously without damaging the battery or charger. **We recommend that the hand control is left continuously on charge when the Archimedes is not in use, as a matter of routine.**



11

### Cleaning

Regularly clean your Archimedes with the same non-abrasive cleaners that you normally use on your bathtub. It is best to separate the seat and base sections prior to cleaning. The Archimedes can be disinfected using a proprietary sterilizing solution or any antibacterial cleaner.

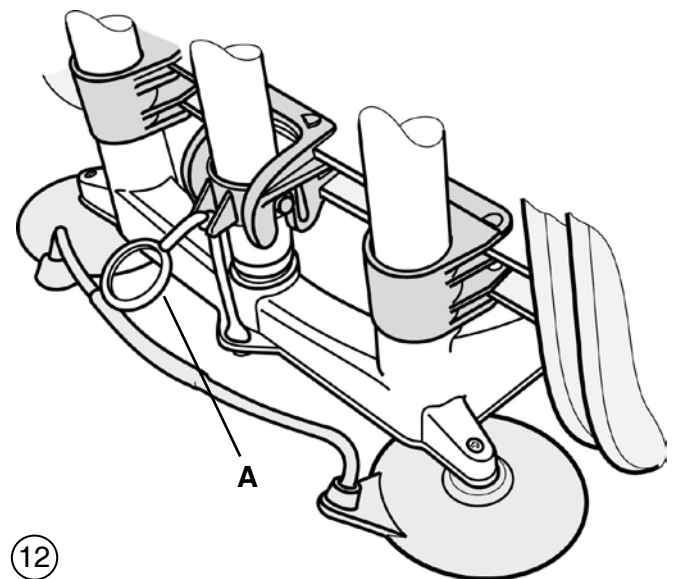
Regular cleaning will help to prolong the life and efficiency of your Archimedes bathlift.

### Storage

The Archimedes should be stored with the seat section fully lowered and the hand control disconnected. During long term storage, it is recommended that at approximately three month intervals, the battery is put on charge overnight.

When stored for long periods, ensure that the Archimedes is thoroughly dry and stored in a dry environment.

The transit tie (**A** fig.12) should be attached to the seat section to allow the Archimedes to be easily picked up and moved.

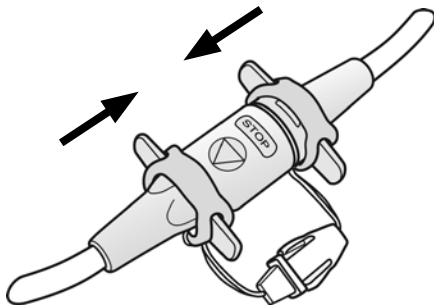


12

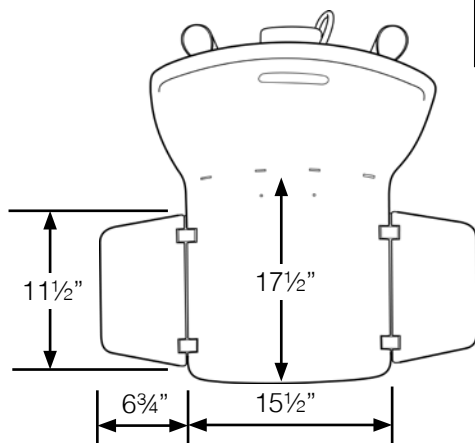
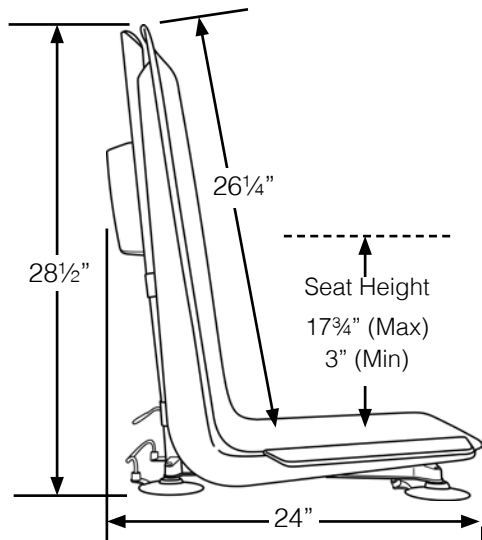
**Maintenance**

Other than routine cleaning, the Archimedes has been designed to be maintenance free, however, we recommend that your Archimedes is inspected annually by either your supplier or other suitably qualified person. Please contact your supplier for further advice.

There are no user-serviceable parts in the Archimedes. Repairs or servicing must only be carried out by your supplier or other authorized person.



13



**Fault Finding**

**If the seat fails to rise:**

- Check that the hand control plug is FULLY pushed into the actuator cable socket (fig. 13).

**If the seat fails to lower:**

- Check to see if the battery state indicator light is showing RED. If it is, put the hand control on charge overnight.
- Check that the hand control plug is FULLY pushed into the actuator cable socket (fig. 13).

**Specifications**

**Archimedes**

Max. user weight:	330lbs
Total weight:	22lbs
Seat section only:	11½lbs
Base section only:	6lbs
Actuator:	4½lbs
Seat height (Min/Max):	3" to 17¾" (approx)
Actuator power input:	12V: 7,5A
Environmental protection:	IP66

**Hand Control**

Battery type:	NiCad
Output:	12V: 7,5A
Internal protection:	Self resetting fuse
Environmental protection:	IP67

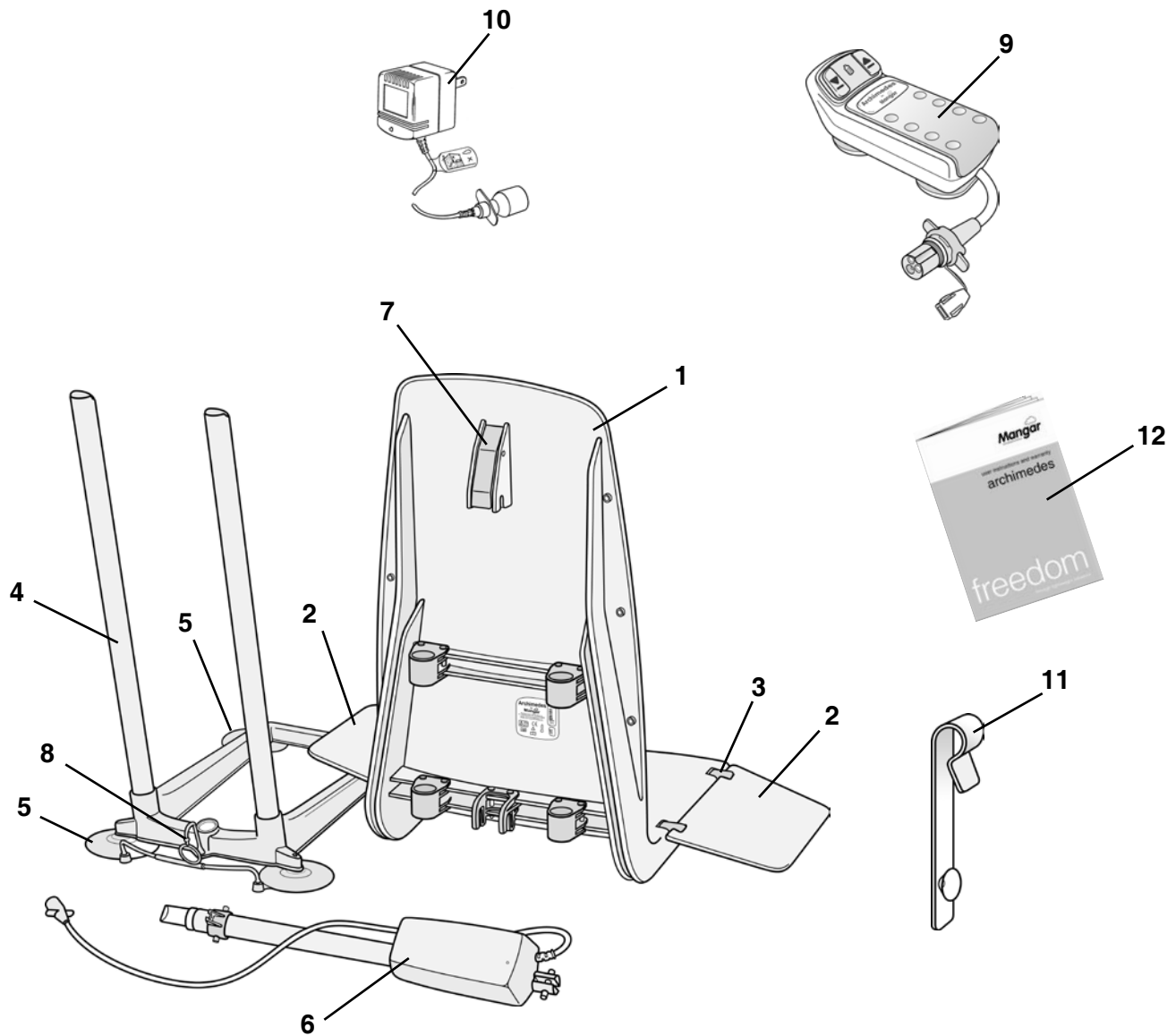
**Battery Charger**












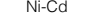

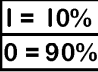

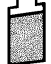

AC Input:	120V: 1,22VA: 60Hz
DC Output:	17.4V: 70mA
Internal protection:	Thermal cut-out
Environmental protection:	IP50
Double insulated Class II Equipment	
This product is suitable for transporting in aircraft.	









**Parts List**

<b>1</b>	Seat Assembly	LA0010	<b>7</b>	Actuator Latch	LA0016
<b>2</b>	Flap	LA0011	<b>8</b>	Transit Tie	LA0017
<b>3</b>	Hinge (Set of 2)	LA0012	<b>9</b>	Hand Control	LA0018
<b>4</b>	Base Assembly	LA0013	<b>10</b>	Battery Charger	LA0019
<b>5</b>	Suction Cup (Set of 4)	LA0014	<b>11</b>	Flap Guards (pair - with instructions)	LA0021
<b>6</b>	Actuator Assembly	LA0015	<b>12</b>	Instruction Booklet	ME0057



Symbols used on labels and instructions			
	Attention		Maximum user weight limit
	Consult instructions		Press to raise seat
	Alternating Current		Press to lower seat
	Direct Current		Date of manufacture
	Class II Double Insulated Equipment		Recycle do not dispose of in household trash
	Do not connect to mains power in a bathroom or outdoors		Ni-Cd
	Dangerous Voltage		Duty cycle I = Operating time O = Non operating time
	Type B equipment (Protection against electric shock)	<b>IP 66</b>	Sealed against the effects of showers
	Battery State Indicator	<b>IP 67</b>	Sealed against the effects of immersion in water to a depth of 1 metre
	Max/Min Operating Environmental Temperature	<b>IP 50</b>	No protection against water ingress

Symbols used on packaging			
	Keep packaging dry		Recycle packaging
	Handle with care	<b>90% RH</b> <b>10% RH</b>	Max/Min humidity when transporting in pressurized aircraft hold
	Max/Min storage temperature	<b>125 kPa</b> <b>73 kPa</b>	Max/Min pressure when transporting in pressurized aircraft hold
	Do not use blade to open	<b>+50°C</b> <b>-10°C</b>	Max/Min temperature when transporting in pressurized aircraft hold
	Net & Gross weights		

**Warranty**

Mangar International guarantees this product for a period of two years.

The guarantee is given against defects in material and workmanship and comprises piece, parts and labor. The guarantee is not valid in the case of fair wear and tear, wilful damage, common neglect, misuse or unauthorized alteration or repair by unqualified persons.



The following statements do not affect the consumer's statutory rights. This product is sold on the understanding that in the event of any defect of manufacture or material appearing within two years of the date of receipt of this product, the defect will be rectified free of charge providing that:

- (a) Reasonable evidence is provided (e.g. purchase invoice, delivery note) that the product was not purchased more than two years prior to the date of the claim.
- (b) The defect is not attributable to accidental damage (either in transit or otherwise), misuse or unauthorized repair.

Archimedes serial number: .....

Date of purchase: .....

Invoice/Delivery note number: .....

Mangar International reserves the right to alter product specifications and/or any of the information contained within this document without notice.

